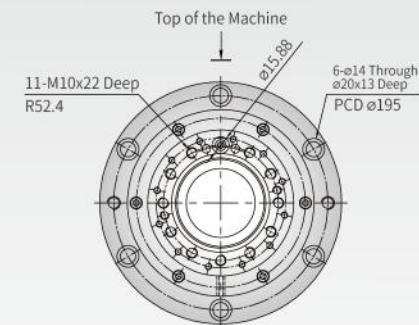
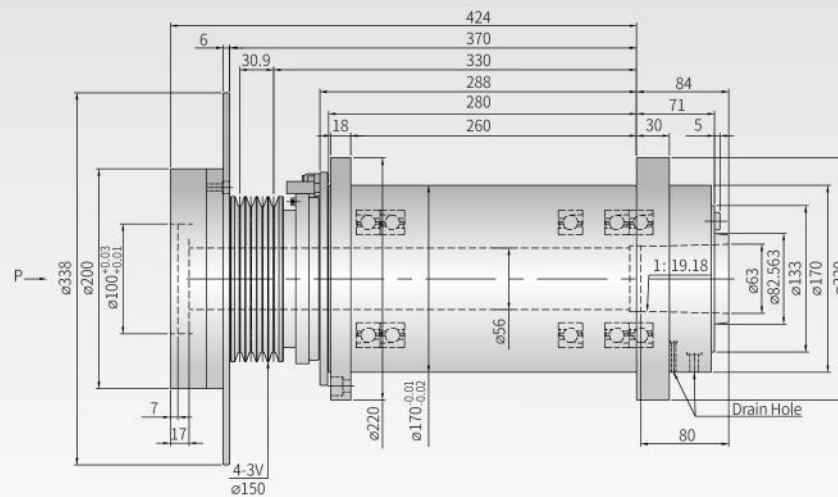
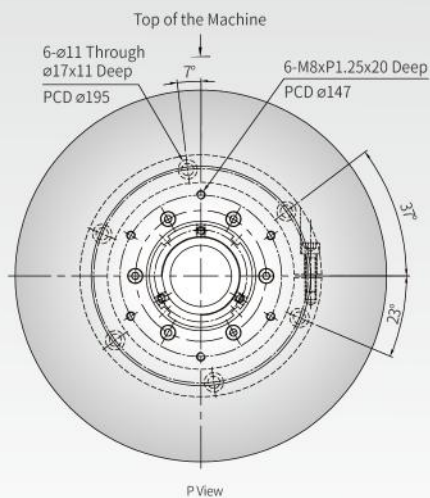
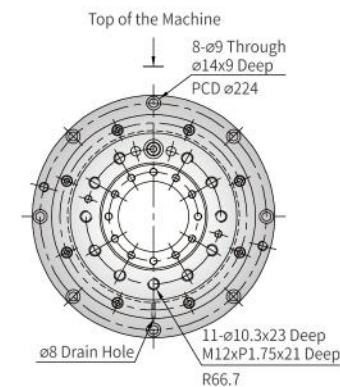
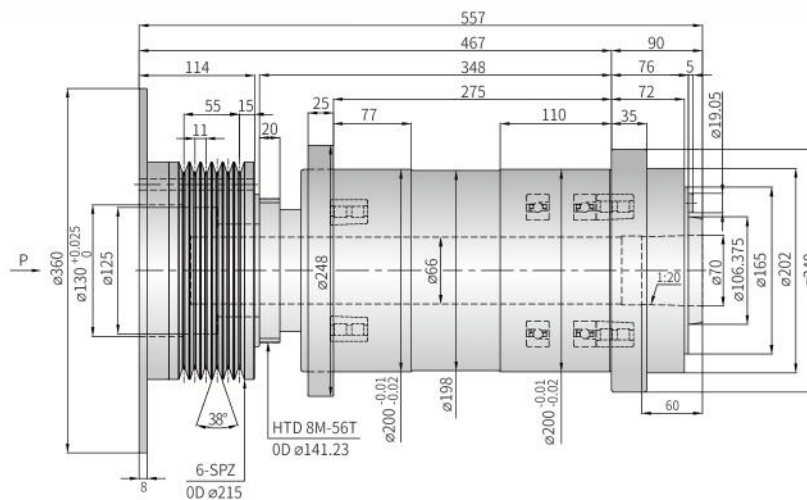
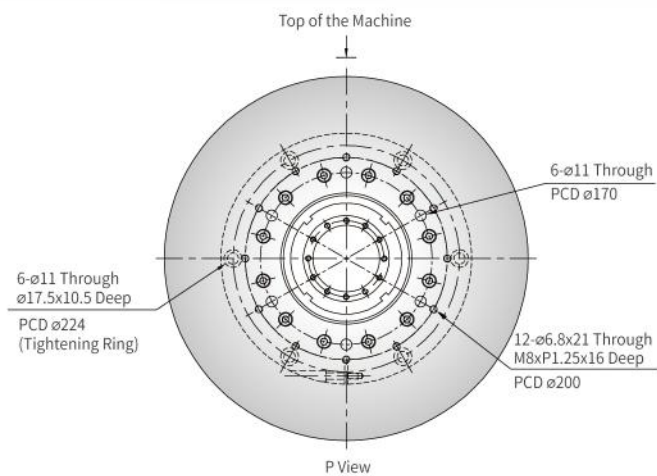


| Model | Housing OD (mm) | Max. Speed (rpm) | Nose | Spindle Bore Hole (mm) | Bearing ID (mm) | Lubrication | Weight (kg) | Options |
|--------|-----------------|------------------|-------|------------------------|-----------------|-------------|-------------|-----------------------|
| RA4007 | Ø150 | 8000 | A2-4 | 45 | Ø70 | Grease | Approx.47 | Brake Disc Encoder |
| RA5005 | Ø170 | 6000 | A2-5 | 56 | Ø80 | | Approx.75 | |
| RA6023 | Ø200 | 5000 | A2-6 | 66 | Ø100+Ø90 | | Approx.90 | |
| RA8001 | Ø260 | 3500 | A2-8 | 92/98 | Ø130+Ø120 | | Approx.200 | |
| RA1113 | Ø286 | 2800 | A2-11 | 117.5 | Ø160+Ø150 | | Approx.313 | |
| RA1503 | Ø400 | 1000 | A2-15 | 184 | Ø240+Ø220 | | Approx.610 | |

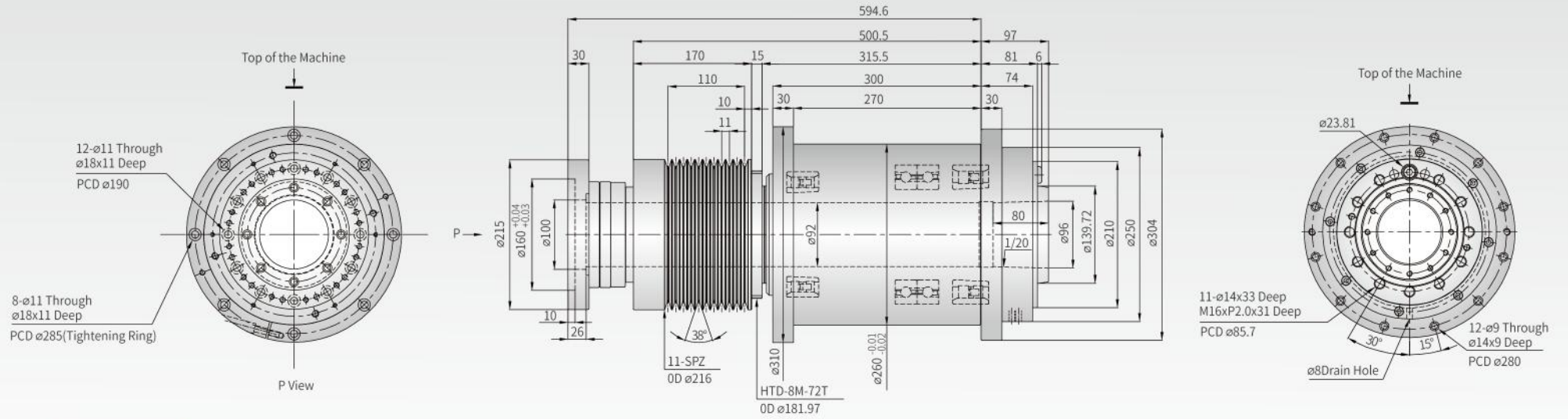
RA5005



RA6023



RA8001



RA1503

