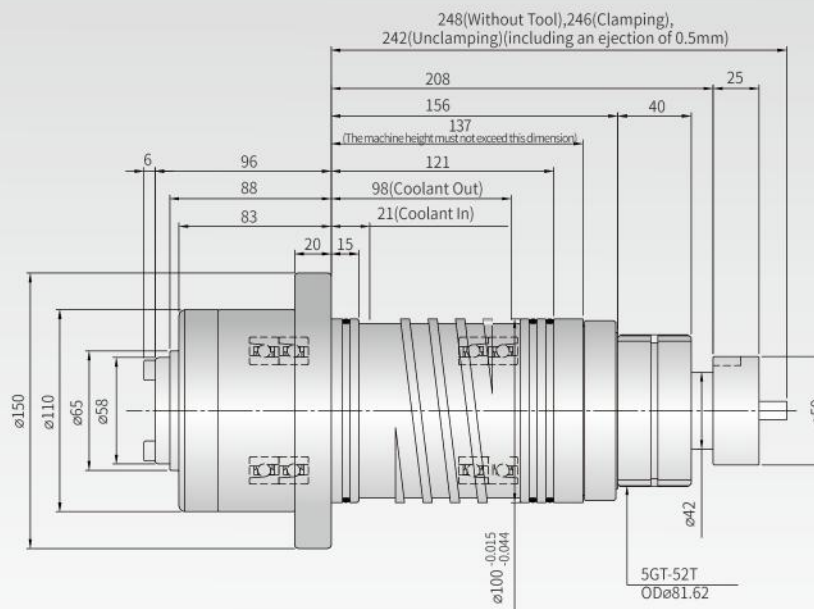
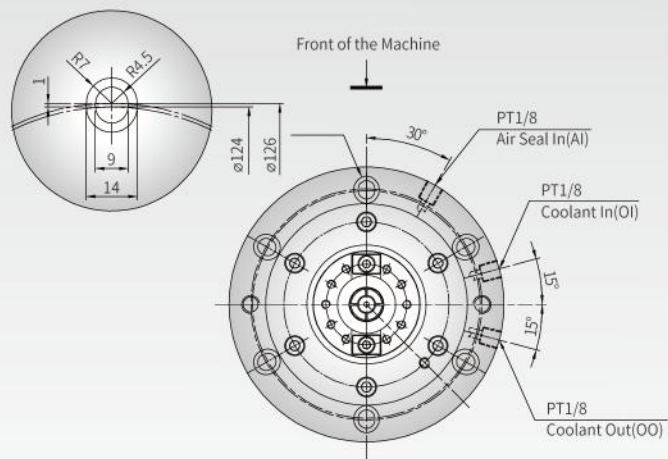


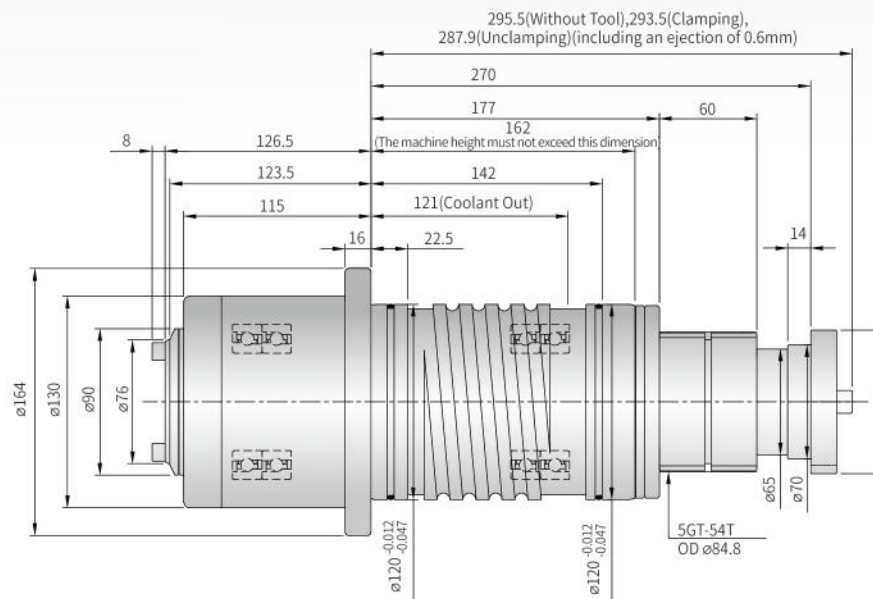
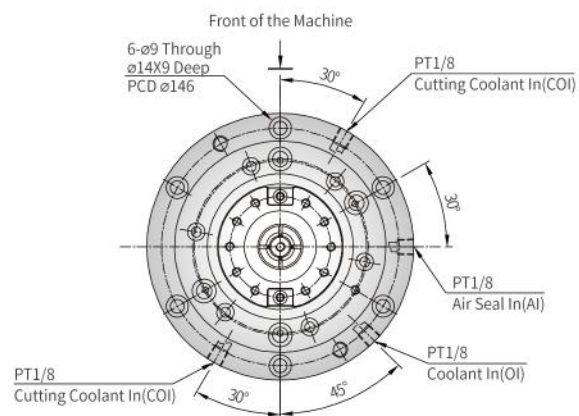


Model	Housing OD (mm)	Max. Speed (rpm)	Taper	Clamping Force (kgf)	Bearing ID (mm)	Lubrication	Cooling	Weight (kg)	CTS
RB3002	Ø100	15000	BT30	300±50	Ø50	Grease	Oil	Approx.17	Optional
RB3021	Ø120	15000	BBT30	300±50	Ø60			Approx.20	
RB4006		12000	BT40	700±50	Ø60			Approx.33	
RB4002	Ø150	12000	BT40/BBT40	1000±100	Ø70			Approx.56	
RBH004		12000	HSKA63	2050±250	Ø70			Approx.56	
RB4078	Ø155	12000	BT40/BBT40	1000±100	Ø70			Approx.60	
RBH018		12000	HSKA63	2050±250	Ø70			Approx.60	
RB5002		8000	BT50/BBT50	1500±100	Ø80			Approx.70	
RB5004	Ø190	10000	BT50/BBT50	1800±100	Ø100			Approx.123	
RB5029	Ø200	10000	BT50/BBT50	1800±100	Ø90			Approx.130	

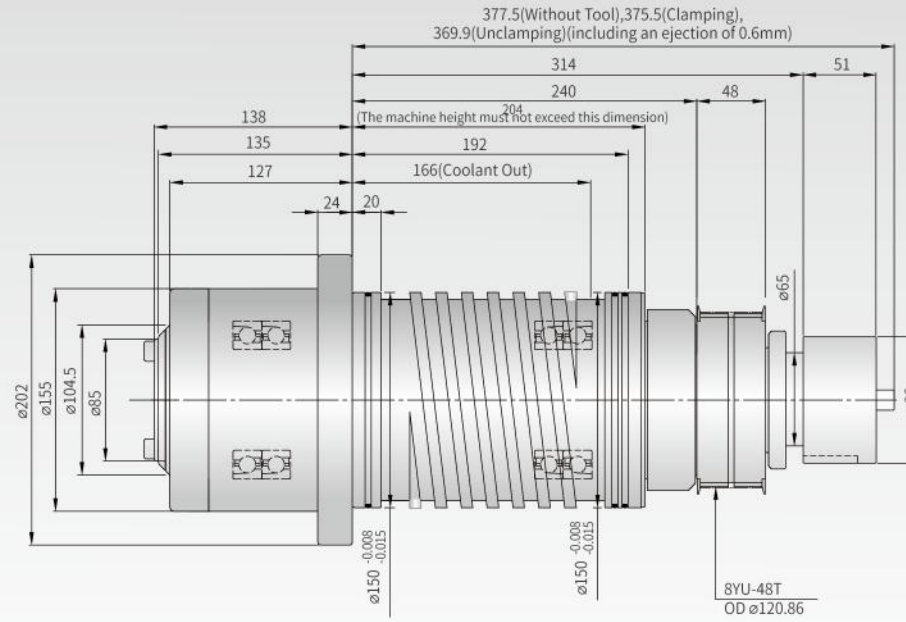
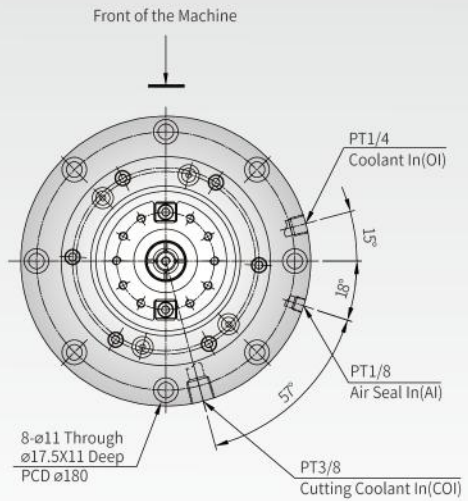
**RB3002**



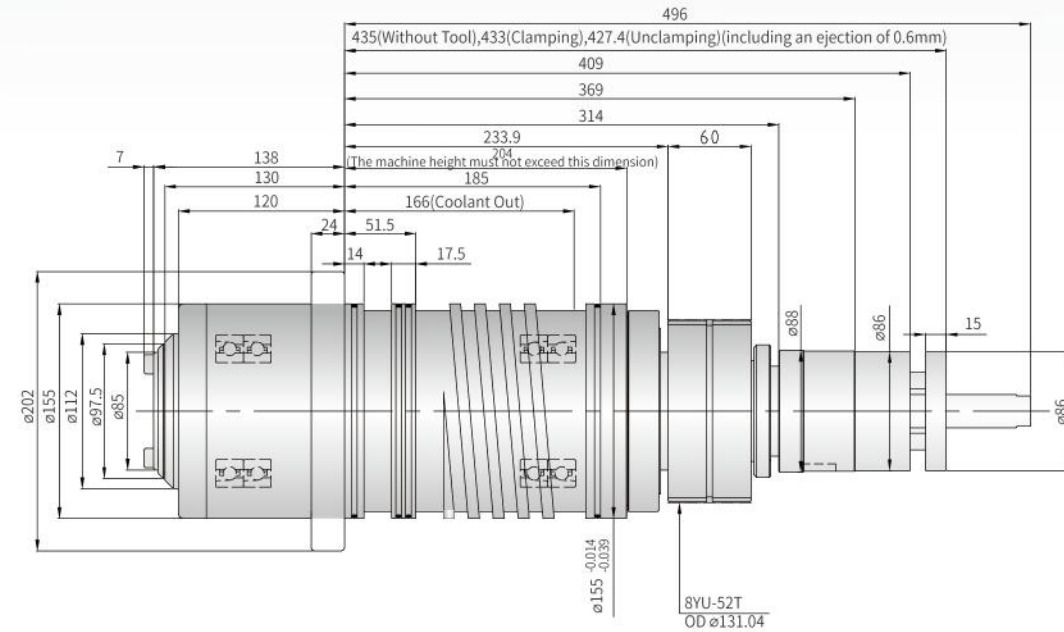
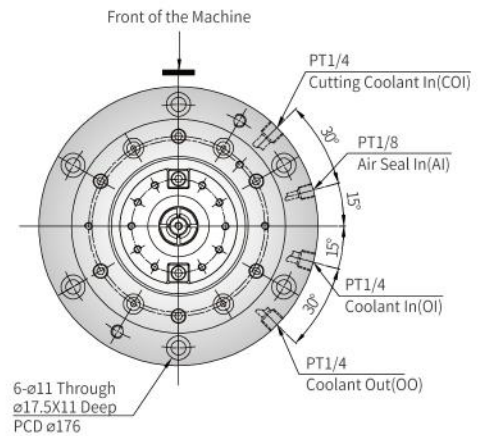
**RB4006**



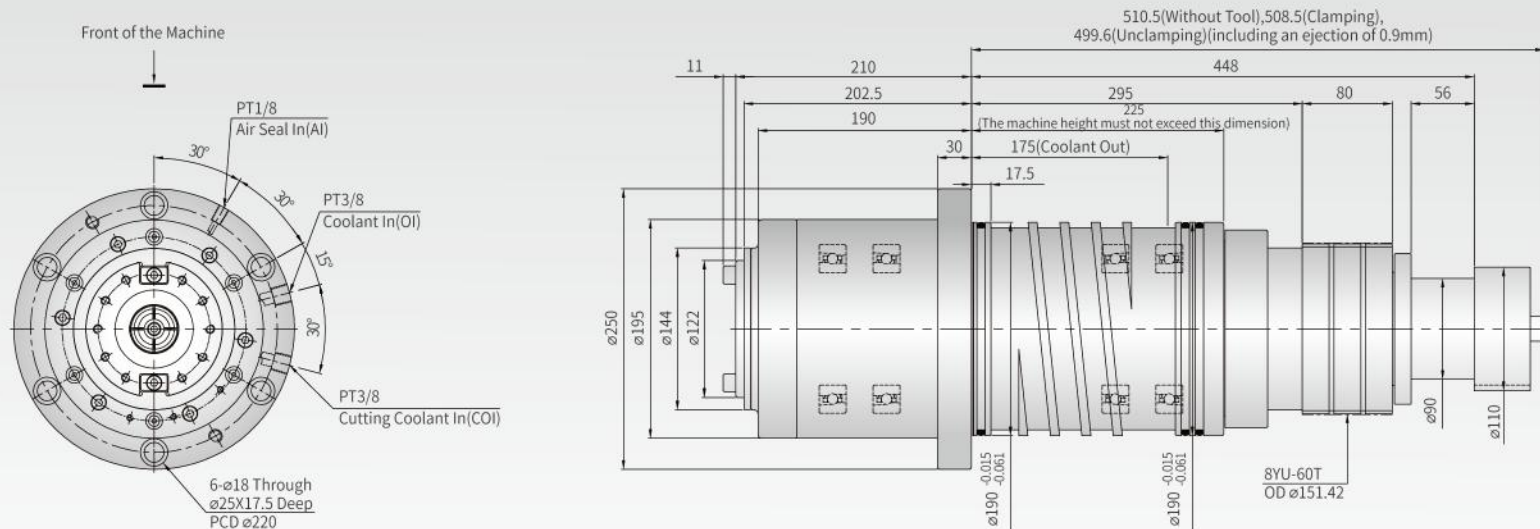
**RB4002**



**RB4078**



**RB5004**



**RB5029**

