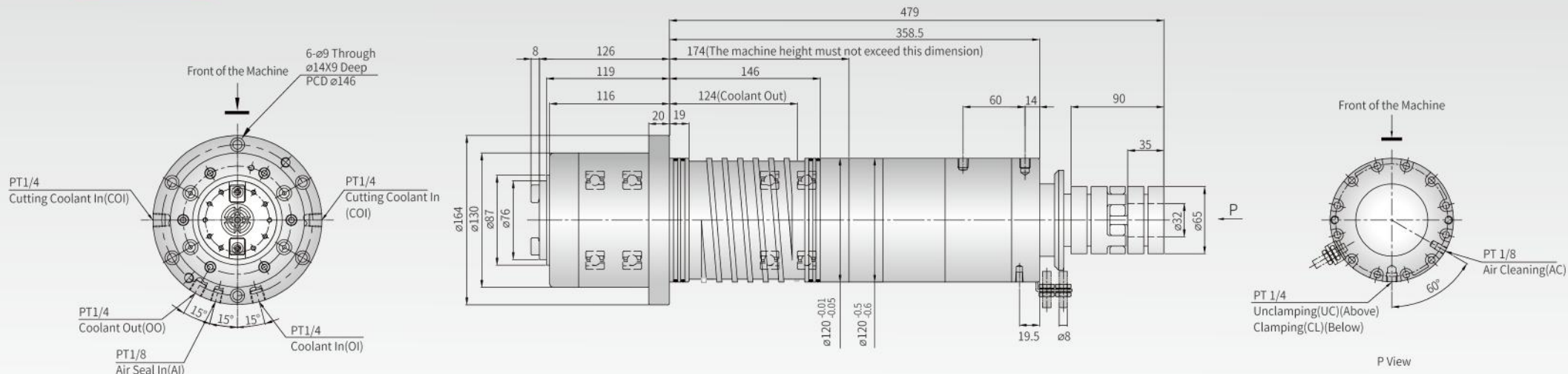


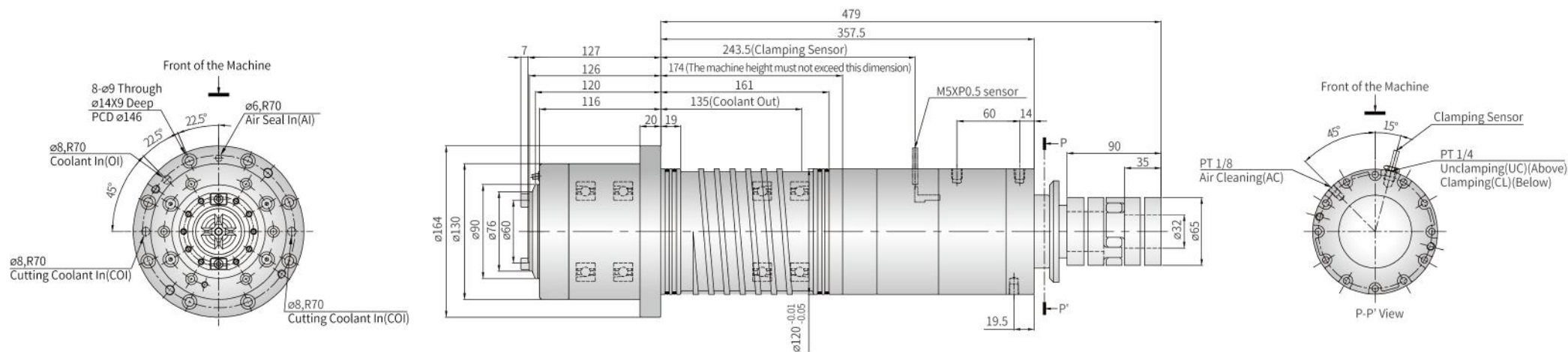


Model	Housing OD (mm)	Max. Speed (rpm)	Taper	Clamping Force (kgf)	Bearing ID (mm)	Lubrication	Cooling	Weight (kg)	CTS							
RD3068	Ø100	24000	BT30	250 ± 50	Ø40	Grease Oil-Air		Approx.38	Optional							
RD3006		18000	BT30	350 ± 50	Ø60			Approx.38								
RD4172	Ø120	15000	BT40/BBT40	900 ± 100	Ø60	Grease	Oil	Approx.38								
RDH085		15000	HSKA63	2050 ± 250	Ø60			Approx.38								
RD4152	Ø150	18000	BT40/BBT40	1200 ± 100	Ø70			Grease		Oil	Approx.60					
RDH060		18000	HSKA63	2050 ± 250	Ø70						Approx.60					
RD4014	Ø155	15000	BT40/BBT40	1000 ± 100	Ø70						Grease	Oil	Approx.80			
RDH025		15000	HSKA63	2050 ± 250	Ø70								Approx.80			
RD5012	Ø190	10000	BT50/BBT50	1500 ± 100	Ø80								Grease	Oil	Approx.70	
RD5002		12000	BT50/BBT50	1800 ± 100	Ø90										Approx.112	
RDH061		12000	HSKA100	5150 ± 650	Ø90										Approx.112	
RD5059	Ø200	12000	BT50/BBT50	1800 ± 100	Ø100										Grease Oil-Air	
RDH008		12000	HSKA100	5150 ± 650	Ø100				Approx.134							

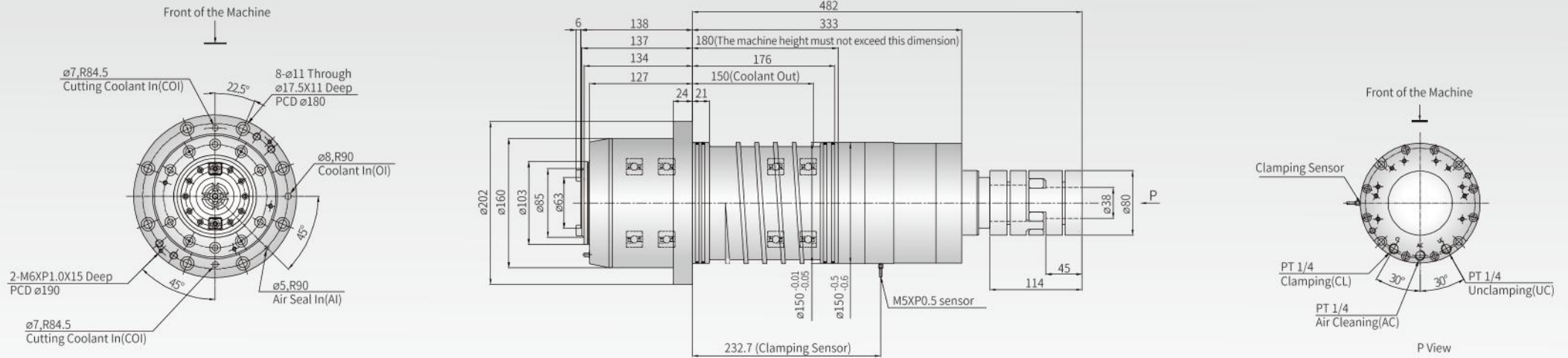
RD3006



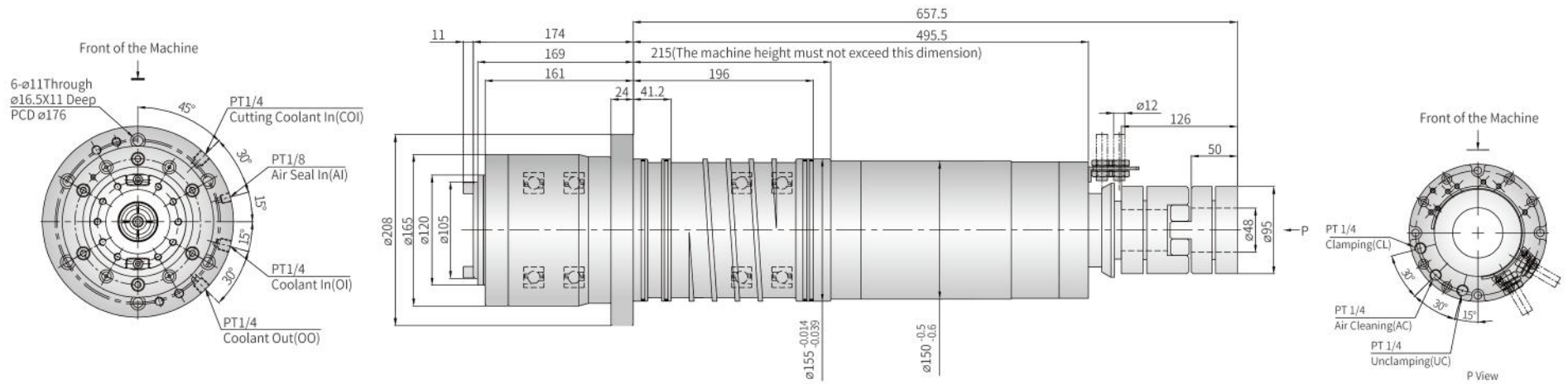
RD4172



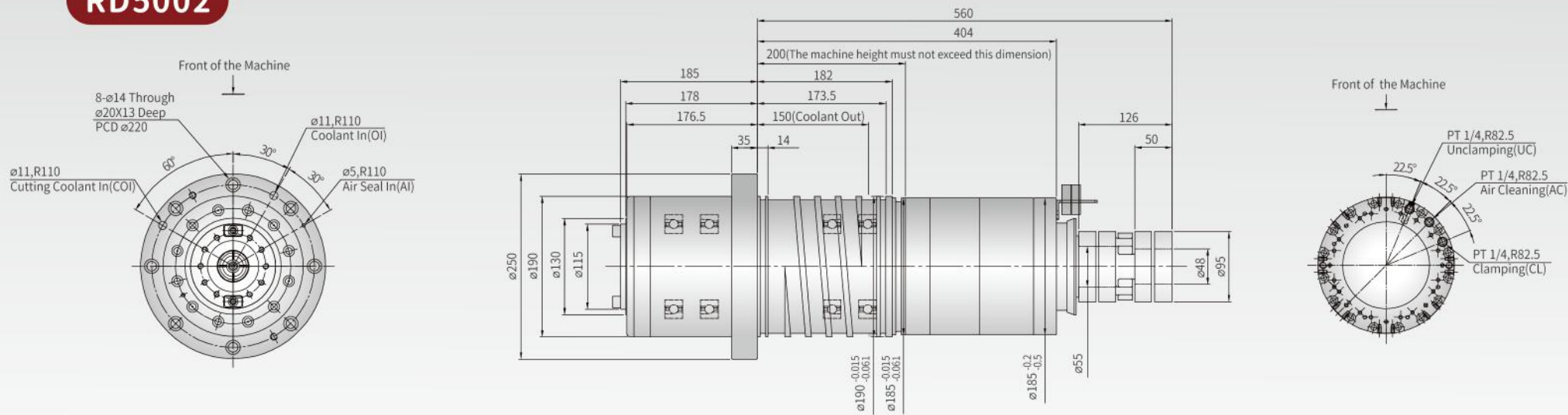
RD4152



RD5012



RD5002



RD5059

