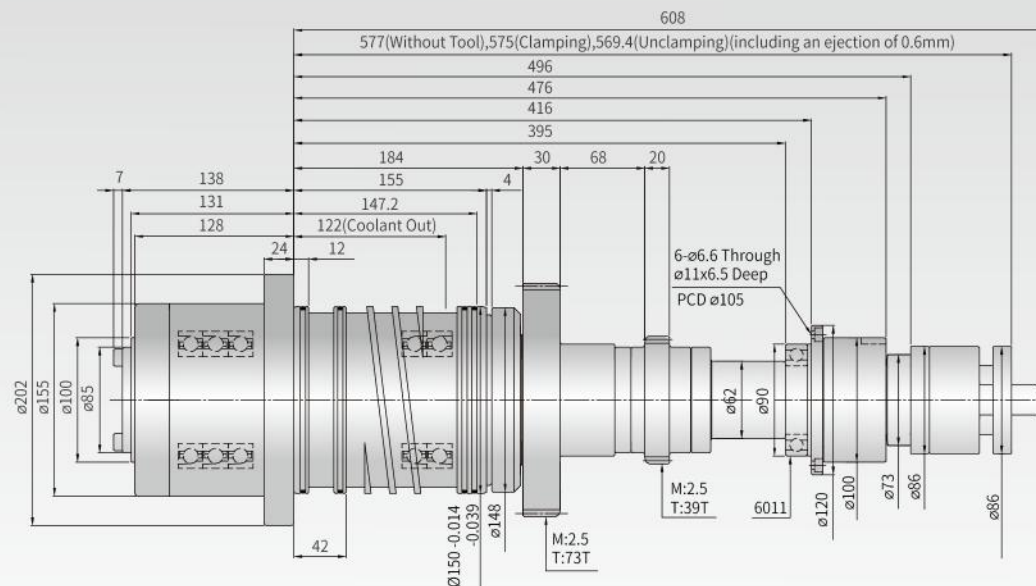
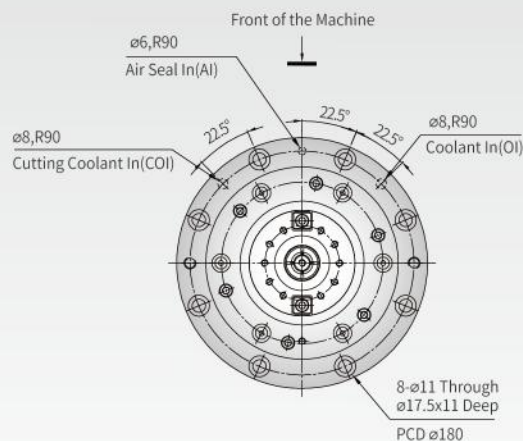


| Model | Housing OD (mm) | Max. Speed (rpm) | Taper | Clamping Force (kgf) | Bearing ID (mm) | Lubrication | Cooling | Weight (kg) | CTS |
|--------|--------------------|---------------------|-------|-------------------------|--------------------|-------------|---------|----------------|----------|
| RT4002 | Ø150 | 8000 | BT40 | 1000±100 | Ø70 | Grease | Oil | Approx.65 | Optional |
| RT5006 | Ø190 | 8000 | BT50 | 1800±100 | Ø100 | | | Approx.110 | |

RT4002



RT5006

