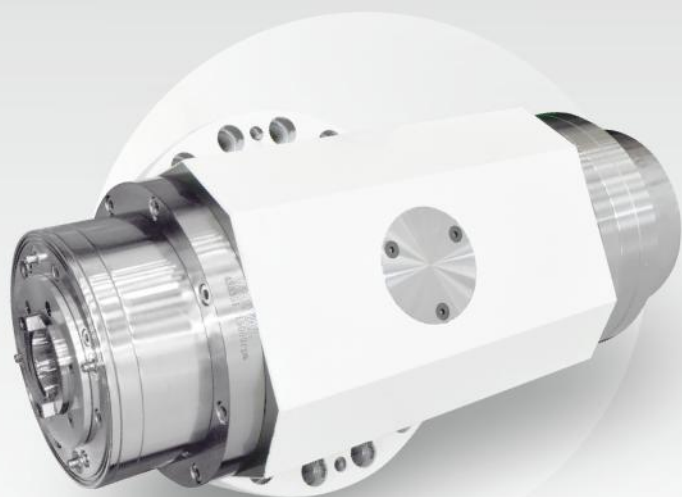


Motorized Spindle

MULTI-SPINDLE



Model	Housing OD (mm)	Max. Speed (rpm)	Taper	Clamping Force (kgf)	Bearing ID (mm)	Lubrication	Motor Specification	Power S1 (kW)	Torque S1 (Nm)	Cooling	Weight (kg)	CTS
RE4125	Ø210	15000	BBT40	1200 ± 100	Ø70	Grease	ATE AC160/170/8(380V)	15	71.6	Oil	Approx. 152	Optional
REH128		15000	HSKA63	2000 ± 250	Ø70		ATF IM160/170/6(380V)	28.3	60.1		Approx. 170	
REH098	Ø235	15000	HSKA63	2000 ± 250	Ø70		SIEMENS 1FE 1093-4WN11	28	75		Approx. 170	

RE4125

