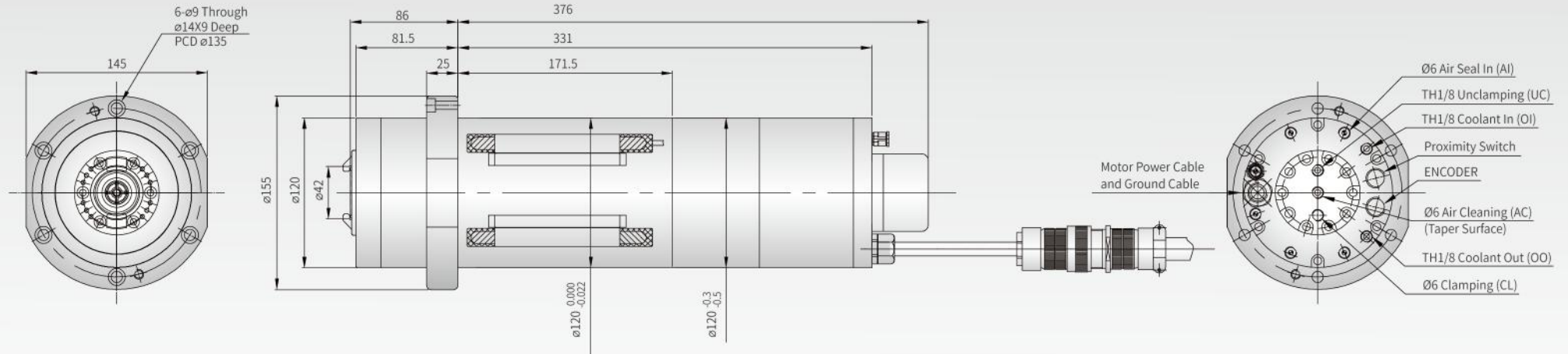


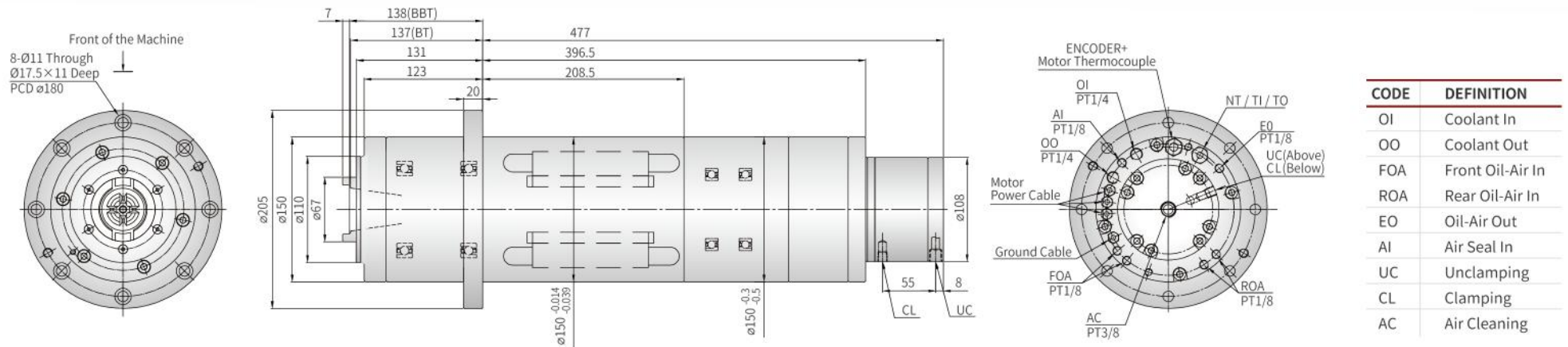


Model	Housing OD (mm)	Max. Speed (rpm)	Taper	Clamping Force (kgf)	Bearing ID (mm)	Lubrication	Motor Specification	Power S1 (kW)	Torque S1 (Nm)	Cooling	Weight (kg)	CTS	
RE3012	Ø120	30000	BT30/BBT30	250±50	Ø45+Ø35	Grease	ATE AC90/100/4	7.5	6	Pure Water	Approx. 30	Optional	
REH022		30000	HSKE40	900±200	Ø45+Ø35		ATE AC90/100/4	7.5	6	Oil/Pure Water	Approx. 30		
RE4121	Ø150	20000	BBT40	1000±100	Ø70+Ø60	Grease Oil-Air	ATE AC120/120/4	15	12.1	Pure Water	Approx. 82		
REH063		24000	HSKA63	2050±250	Ø70+Ø55		ATE AC120/120/4	15	12.1		Approx. 82		
RE4122	Ø170	20000	BBT40	1260±60	Ø70+Ø60		FANUC Bii 90L/25000	18.5	29.4	Oil	Approx. 105		
REH112		24000	HSKA63	2050±250	Ø70+Ø60	Oil-Air	FANUC Bii 90L/25000	18.5	29.4	Oil/Pure Water	Approx. 105		
REH040		20000	HSKA50	1300±200	Ø60+Ø55	Grease	FANUC Bii 100S/20000	11	14		Approx. 120		
REH069		24000	HSKA63	2050±250	Ø70+Ø55	Grease Oil-Air	FANUC Bii 90L/25000	18.5	29.4	Oil	Approx. 135		
RE4064		Ø210	20000	BBT40	1260±60	Ø70+Ø55	Grease	SIEMENS 1FE 1083-4WN11	24.8	63	Pure Water		Approx. 160
REH020			20000	HSKA63	2050±250	Ø70+Ø55	Grease Oil-Air	SIEMENS 1FE 1083-4WN11	24.8	63			Approx. 160
RE4114	Ø230	20000	BBT40	1260±60	Ø70+Ø60	Oil-Air	FANUC αB112L/20000i(220V)	High Winding 18.5 / Low Winding 11.3	High Winding 27.2 / Low Winding 86.8	Oil	Approx. 230		
		20000	BBT40	1260±60	Ø70+Ø60		ATE AC180/260/4(380V)	26	123.5		Approx. 230		
REH099		20000	HSKA63	2050±250	Ø70+Ø60		FANUC αB112L/20000i(220V)	High Winding 18.5 / Low Winding 11.3	High Winding 27.2 / Low Winding 86.8		Approx. 230		
		20000	HSKA63	2050±250	Ø70+Ø60		ATE AC180/260/4(380V)	26	123.5		Approx. 230		
RE5007	Ø250	10000	BBT50	1900±100	Ø100+Ø70	Grease Oil-Air	FANUC Bii132L/14000	High Winding 22 / Low Winding 15	High Winding 41.6 / Low Winding 159		Approx. 270		
RE5025	Ø310	12000	BBT50	2400±100	Ø100+Ø70	Oil-Air	FANUC aB160LL/13000i	High Winding 26 / Low Winding 18.5	High Winding 99.3 / Low Winding 305		Approx. 410		
REH104		10000	HSKA100	5150±650	Ø100+Ø70		FANUC aB160LL/13000i	High Winding 26 / Low Winding 18.5	High Winding 99.3 / Low Winding 305		Approx. 410		

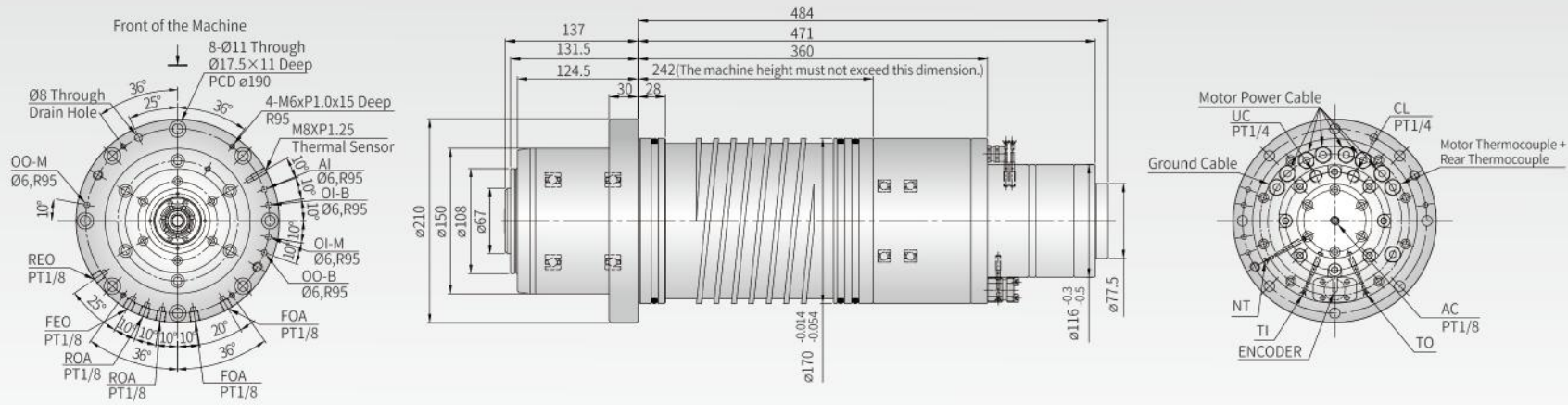
RE3012



RE4121

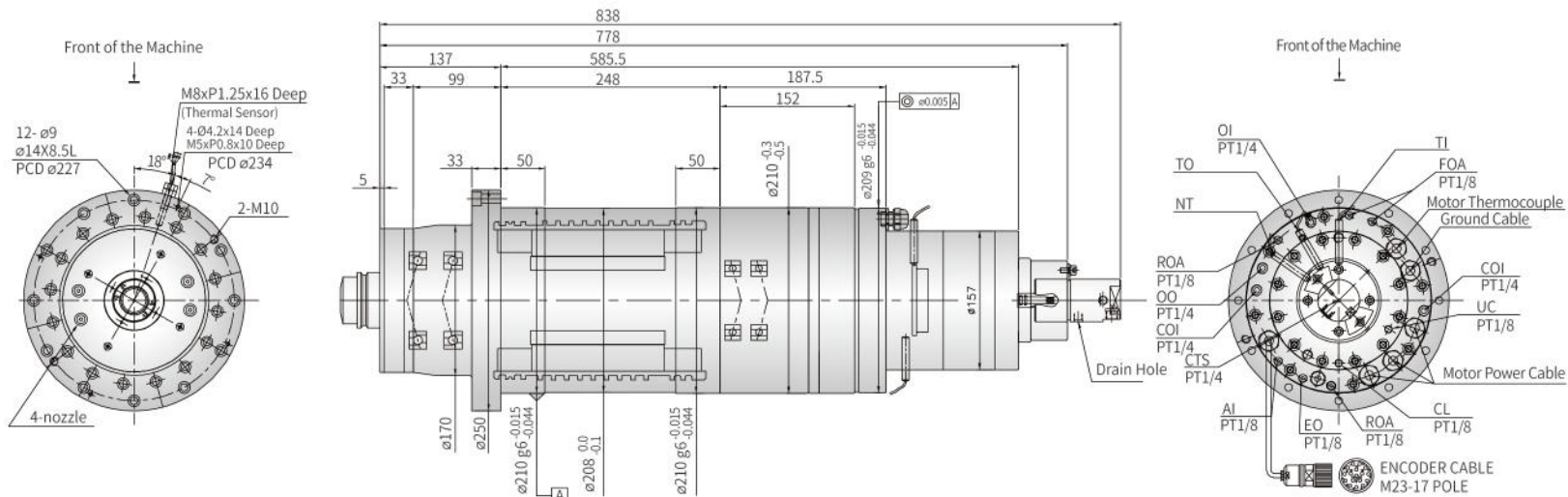


REH112



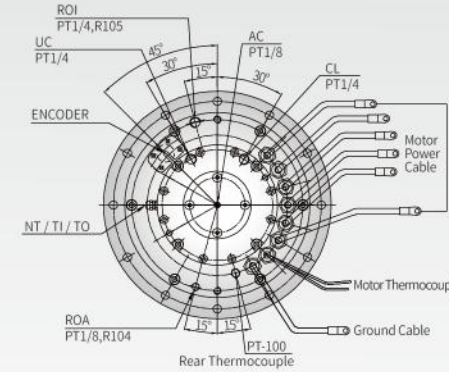
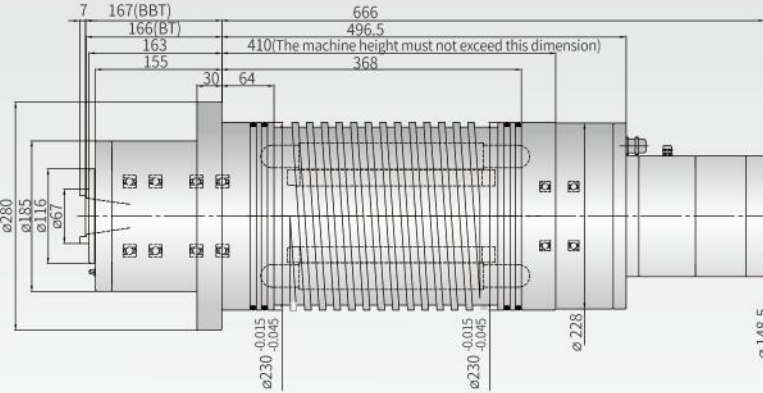
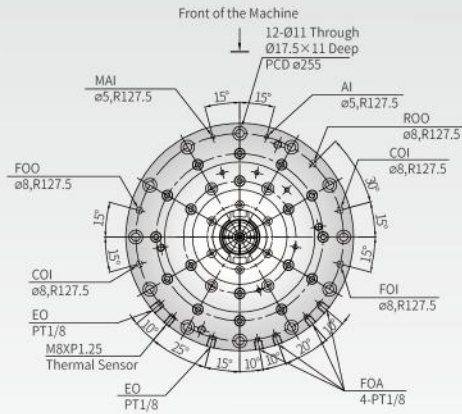
CODE	DEFINITION
OI-B	Bearing Coolant In
OO-B	Bearing Coolant Out
OI-M	Motor Coolant In
OO-M	Motor Coolant Out
AI	Air Seal In
FOA	Front Oil-Air In
ROA	Rear Oil-Air In
FEO	Front Oil-Air Out
REO	Rear Oil-Air Out
CL	Clamping
UC	Unclamping
AC	Air Cleaning
TI	Clamping Sensor
TO	Unclamping Sensor
NT	No Tool Sensor

REH020



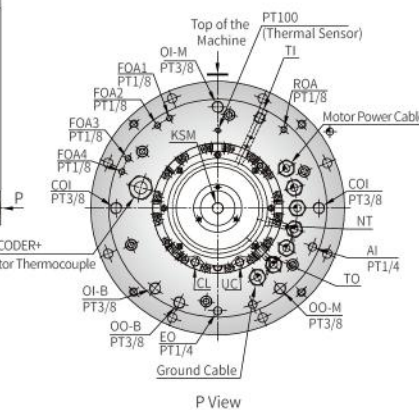
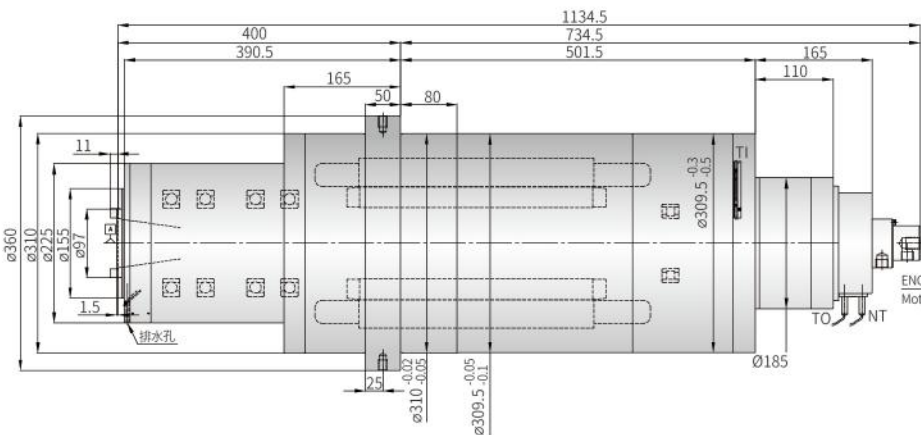
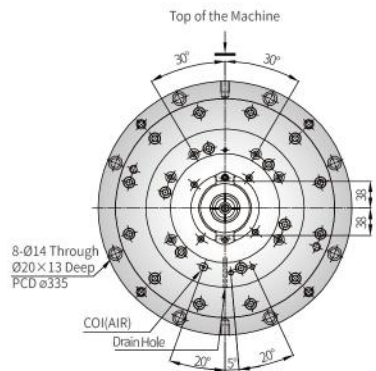
CODE	DEFINITION
OI	Coolant In
OO	Coolant Out
AI	Air Seal In
FOA	Front Oil-Air In
ROA	Rear Oil-Air In
EO	Oil-Air Out
UC	Unclamping
CL	Clamping
COI	Cutting Coolant In
TI	Clamping Sensor
TO	Unclamping Sensor
NT	No Tool Sensor
CTS	Coolant Through Spindle

RE4114



CODE	DEFINITION
FOI	Front Coolant In
FOO	Front Coolant Out
ROI	Rear Coolant Out
ROO	Rear Coolant Out
COI	Cutting Coolant In
AI	Air Seal In
MAI	Motor Air Seal In
FOA	Front Oil-Air In
ROA	Rear Oil-Air In
EO	Oil-Air Out
UC	Unclamping
CL	Clamping
AC	Air Cleaning

RE5025



CODE	DEFINITION
UC	Unclamping
CL	Clamping
TO	Unclamping Sensor
TI	Clamping Sensor
NT	No Tool Sensor
AI	Air Seal In
EO	Oil-Air Out
FOA1-4	Front Oil-Air In
ROA 1	Rear Oil-Air In
OI-B	Bearing Coolant In
OO-B	Bearing Coolant Out
OI-M	Motor Coolant In
OO-M	Motor Coolant Out
COI1-2	Cutting Coolant In