

KINTEK®

TOOLHOLDERS FOR CNC LATHES (BMT, BOLT-ON, VDI DIN69880)
PORTAUTENSILI PER TORNI CNC (BMT, BOLT-ON, VDI DIN69880)



11

TOOLHOLDERS FOR CNC LATHES
(BMT, BOLT-ON, VDI DIN69880) 

PORTAUTENSILI PER TORNII CNC
(BMT, BOLT-ON, VDI DIN69880) 

CNC-DREHEMASCHINEN
(BMT, BOLT-ON, VDI DIN69880) 

PORTE-OUTILS POUR TOURS CNC
(BMT, BOLT-ON, VDI DIN69880) 

РЕЗЦЕДЕРЖАТЕЛИ ДЛЯ
ТОКАРНЫХ СТАНКОВ С ЧПУ
(BMT, BOLT-ON, VDI DIN69880) 

数控车床刀柄
BMT, BOLT-ON, VDI DIN69880 

SPECIAL TOOLHOLDERS PORTAUTENSILI SPECIALI
 SONDER-WERKZEUGHALTER PORTEOUTILS SPECIAUX
 СПЕЦИАЛЬНЫЕ РЕЗЦЕДЕРЖАТЕЛИ 专用刀柄

BIGLIA TOOLHOLDERS

PORTAUTENSILI BIGLIA

Pag. 325

DMG MORI TOOLHOLDERS

PORTAUTENSILI DMG MORI

Pag. 326-340

OKUMA TOOLHOLDERS

PORTAUTENSILI OKUMA

Pag. 341-349

NAKAMURA TOME TOOLHOLDERS

PORTAUTENSILI NAKAMURA

Pag. 350-353

DOOSAN PUMA TOOLHOLDERS - BMT 45 /55/65/75

PORTAUTENSILI DEWOO PUMA

Pag. 354-360

MAZAK TOOLHOLDERS

PORTAUTENSILI MAZAK

Pag. 361-363

HAAS TOOLHOLDERS

PORTAUTENSILI HAAS

Pag. 364-365

WFL TOOLHOLDERS

PORTAUTENSILI WFL

Pag. 366

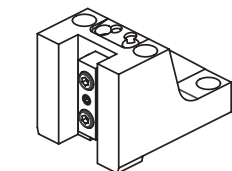
GOODWAY TOOLHOLDERS

PORTAUTENSILI GOODWAY

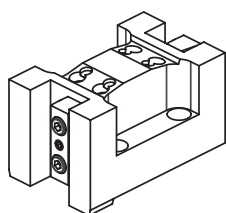
Pag. 367

BIGLIA

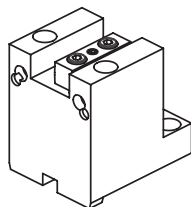
B301/445/470/501(Y-S)
510/545/550/565/650/658
1200/446/465/745
765-B750/1250 16 ST.



128-41524
128-41525 (25x25 mm)



128-41527

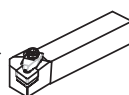


128-31515

Face and O.D. cutting holder

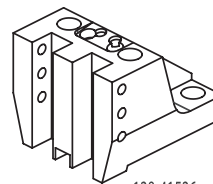
Face and O.D. cutting holder

Face and O.D. cutting holder

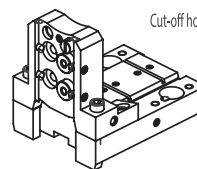


Qualified tool
20x20 mm

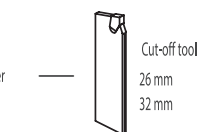
Face and O.D. cutting holder



128-41526



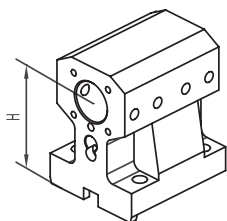
Cut-off holder



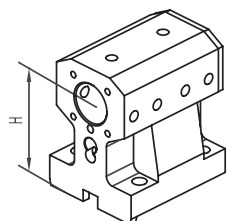
Cut-off tool
26 mm
32 mm

128-11566 (26 mm)
128-11567 (32 mm)

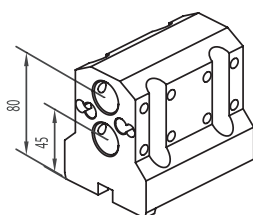
ACCESSORIES



128-21538 H=80
128-21540 H=100



128-21539 H=80
128-21541 H=100



128-21542

Toolholder for boring bar

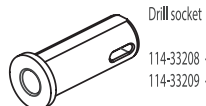
Ø32 mm

Combi toolholder for boring bar and insert drill

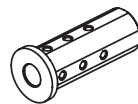
Ø32 mm

Toolholder for boring bar

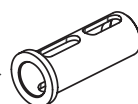
2xØ25 mm



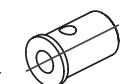
Drill socket
114-33208 <MT1>
114-33209 <MT2>



Boring bar sleeve
115-63260 (Ø8 mm)
115-63261 (Ø10 mm)
115-63211 (Ø12 mm)
115-63212 (Ø16 mm)
115-63213 (Ø20 mm)



Boring bar sleeve
115-63214 (Ø25 mm)

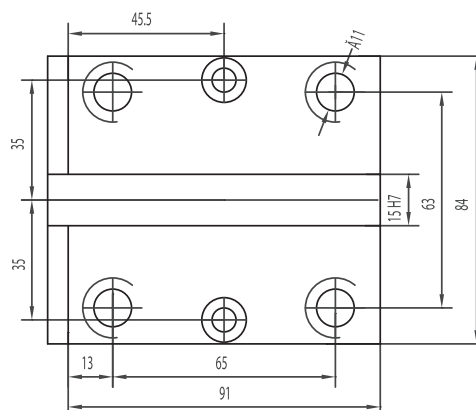


Throw-away drill socket
165-63325 (Ø16 mm)
165-63326 (Ø20 mm)
165-63327 (Ø25 mm)



Protection cover
137-00244

CONNECTION



DMG MORI (VDI30)

CTX 210/310/410 V3/V1
 CTX 320/420 V3
 CTX Alpha 300/500 V3
 CTX Beta 500/800/1250 V3 (option)
 CTV 160

AXIAL TURRET

Face and O.D. cutting holder
 B1-30x20x40

Face and O.D. cutting holder overhead
 B3-30x20x40

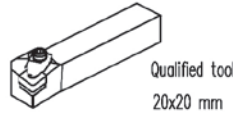
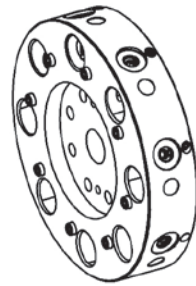
Face and O.D. cutting holder
 B5-30x20x40

Face and O.D. cutting holder overhead
 B7-30x20x40

Cut-off holder
 26 mm
 AR3026

Bar puller
 KH1-30

VDI damped, adjustable, stop bar
 MW-3042-AM



ACCESSORIES



Boring bar sleeve $\varnothing 25$ mm

- 115-62574 ($\varnothing 8$ mm)
- 115-62575 ($\varnothing 10$ mm)
- 115-62576 ($\varnothing 12$ mm)
- 115-62577 ($\varnothing 16$ mm)
- 115-62578 ($\varnothing 20$ mm)

Boring bar sleeve $\varnothing 32$ mm

- 165-63223 ($\varnothing 8$ mm)
- 165-63224 ($\varnothing 10$ mm)
- 165-63225 ($\varnothing 12$ mm)
- 165-63226 ($\varnothing 16$ mm)
- 165-63227 ($\varnothing 20$ mm)
- 165-63228 ($\varnothing 25$ mm)

Boring bar sleeve $\varnothing 40$ mm

- 165-64075 ($\varnothing 8$ mm)
- 165-64076 ($\varnothing 10$ mm)
- 165-64077 ($\varnothing 12$ mm)
- 165-64078 ($\varnothing 16$ mm)
- 165-64079 ($\varnothing 20$ mm)
- 165-64080 ($\varnothing 25$ mm)
- 165-64081 ($\varnothing 32$ mm)

Toolholder for insert drill

- E1-30x08WN ($\varnothing 8$ mm)
- E1-30x10WN ($\varnothing 10$ mm)
- E1-30x12WN ($\varnothing 12$ mm)
- E1-30x16 ($\varnothing 16$ mm)
- E1-30x20 ($\varnothing 20$ mm)
- E1-30x25 ($\varnothing 25$ mm)
- E1-30x32 ($\varnothing 32$ mm)
- E1-30x40 ($\varnothing 40$ mm)

Toolholder for boring bar

- E2-30x6 ($\varnothing 6$ mm)
- E2-30x8 ($\varnothing 8$ mm)
- E2-30x10 ($\varnothing 10$ mm)
- E2-30x12 ($\varnothing 12$ mm)
- E2-30x16 ($\varnothing 16$ mm)
- E2-30x20 ($\varnothing 20$ mm)
- E2-30x25 ($\varnothing 25$ mm)
- E2-30x32 ($\varnothing 32$ mm)
- E2-30x40 ($\varnothing 40$ mm)

Double holder for boring bar

E7-30x25 ($\varnothing 25$ mm)

Toolholder with cylindrical shank

137-00041 ($\varnothing 40$ mm/HSK50A+C)

Collet chuck

- E4-30x16 (ER16)
- E4-30x20 (ER20)
- E4-30x25 (ER25)
- E4-30x32 (ER32)
- E4-30x40 (ER40)

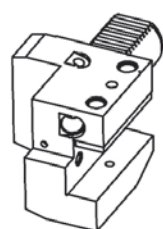
Drilling chuck

- KS2-30-13 ($\varnothing 1$ - $\varnothing 13$ mm)
- KS2-30-16 ($\varnothing 3$ - $\varnothing 16$ mm)

DMG MORI
(VDI30)

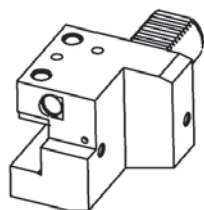
CTX 310/410 V4/V6 - CTX 320 V4/V6
 CTX 420 V4/V6 (option) - CTX Alpha 300 V4
 CTX Alpha 500 V 4/V6
 CTX Beta 500/800/1250 V4/V6 (option)
 TWIN 42/65/102
 SPRINT 65/50

RADIAL TURRET



C1-30x20x70

Face and O.D. cutting holder

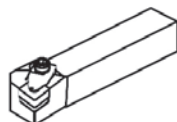
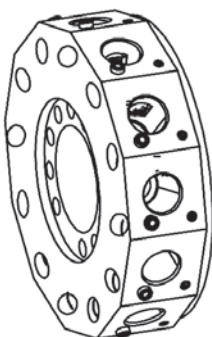


C2-30x20x70

Face and O.D. cutting holder

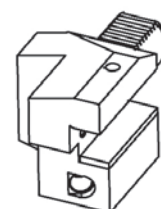


Face and O.D. cutting holder



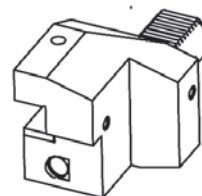
Qualified tool
20x20 mm

Face and O.D. cutting holder overhead



C3-30x20x70

Face and O.D. cutting holder overhead

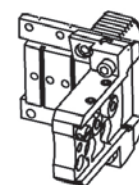


C4-30x20x70

Face and O.D. cutting holder



Cut-off holder
26 mm



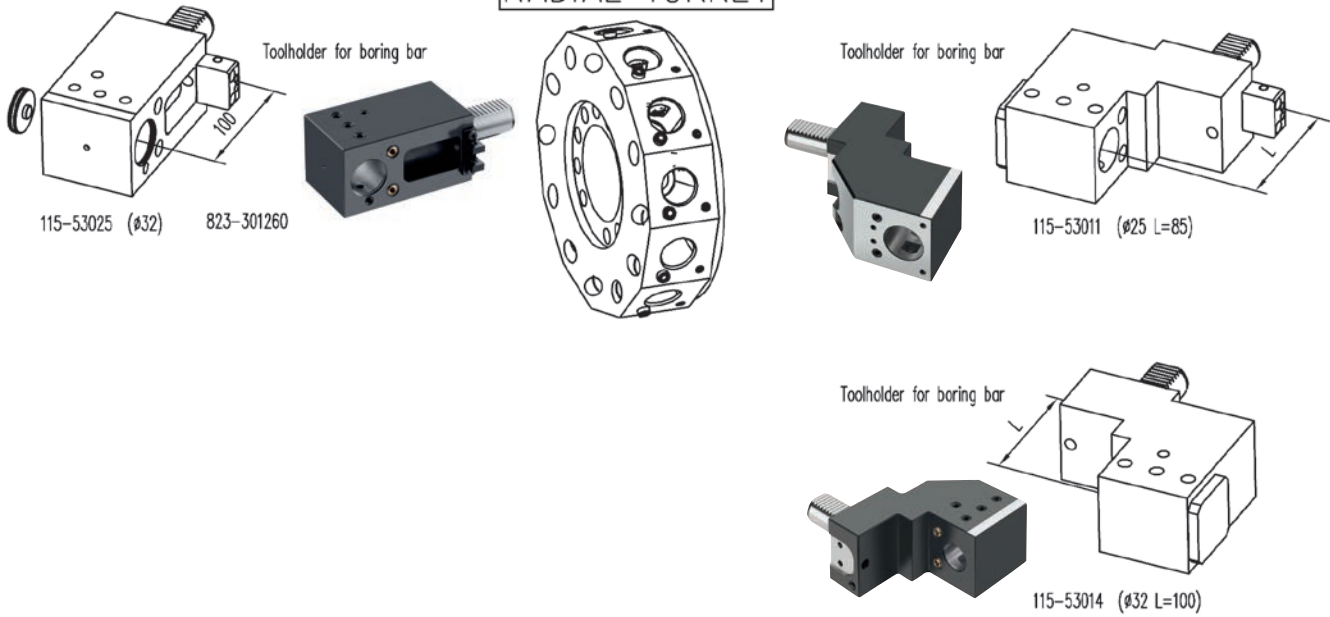
117-53001



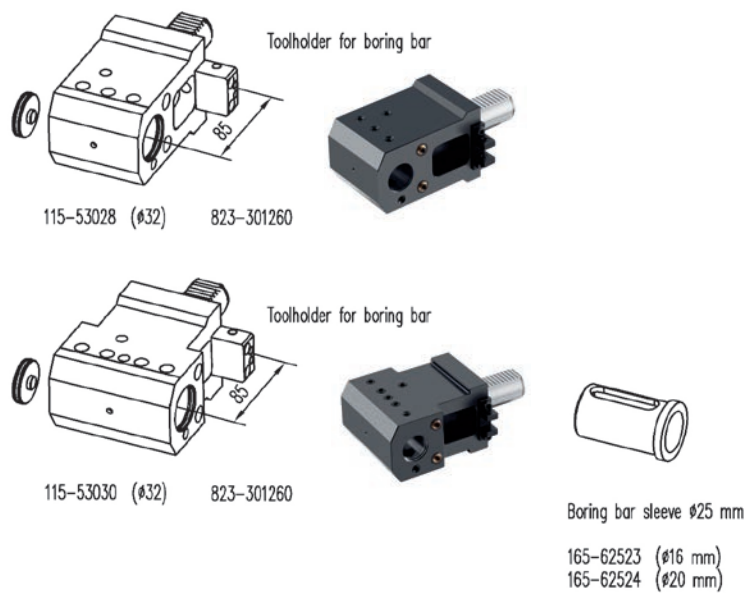
DMG MORI
(VDI30)

CTX310/410 V4/V6 - CTX 320 V4/V6
 CTX420 V4/V6 (option) - CTX Alpha 300 V4
 CTX Alpha 500 V4/V6
 CTX Beta 500/800/1250 V4/V6 (option)
 TWIN 42/65/102
 SPRINT 65/50

RADIAL TURRET



ACCESSORIES



DMG MORI (VDI40)

CTX410 V3 (option)
 CTX510 V3/V4
 CTX420 V3 (option)
 CTX520 V3/V4
 CTX Beta 500/800/1250 V3/V4
 CTX Gamma 1250/2000 V3/V4 (option)

AXIAL TURRET

Face and O.D. cutting holder
 B1-40X25X44

Face and O.D. cutting holder overhead
 B3-40X25X44

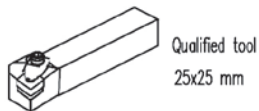
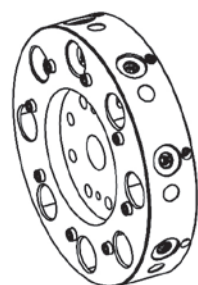
Face and O.D. cutting holder
 B5-40X25X44

Face and O.D. cutting holder overhead
 B7-40X25X44

Cut-off holder
 26 mm/32 mm
 AR4026
 AR4032

Bar puller
 KH1-40

VDI damped, adjustable, stop bar
 MW-4042-AM



ACCESSORIES

Boring bar sleeve ø25 mm

- 115-62579 (ø8 mm)
- 115-62580 (ø10 mm)
- 115-62581 (ø12 mm)
- 115-62582 (ø16 mm)
- 115-62583 (ø20 mm)

Boring bar sleeve ø32 mm

- 165-63223 (ø8 mm)
- 165-63224 (ø10 mm)
- 165-63225 (ø12 mm)
- 165-63226 (ø16 mm)
- 165-63227 (ø20 mm)
- 165-63228 (ø25 mm)

Boring bar sleeve ø40 mm

- 165-64082 (ø8 mm)
- 165-64083 (ø10 mm)
- 165-64084 (ø12 mm)
- 165-64085 (ø16 mm)
- 165-64086 (ø20 mm)
- 165-64087 (ø25 mm)
- 165-64088 (ø32 mm)

Toolholder for insert drill

- E1-40x06WN (ø6 mm)
- E1-40x08WN (ø8 mm)
- E1-40x10WN (ø10 mm)
- E1-40x12WN (ø12 mm)
- E1-40x16 (ø16 mm)
- E1-40x20 (ø20 mm)
- E1-40x25 (ø25 mm)
- E1-40x32 (ø32 mm)
- E1-40x40 (ø40 mm)
- E1-40x50 (ø50 mm)

Toolholder for boring bar

- E2-40x6 (ø6 mm)
- E2-40x8 (ø8 mm)
- E2-40x10 (ø10 mm)
- E2-40x12 (ø12 mm)
- E2-40x16 (ø16 mm)
- E2-40x20 (ø20 mm)
- E2-40x25 (ø25 mm)
- E2-40x32 (ø32 mm)
- E2-40x40 (ø40 mm)
- E2-40x50 (ø50 mm)

Double holder for boring bar

- E7-40x32 (ø32 mm)

Collet chuck

- E4-40x20 (ER20)
- E4-40x25 (ER25)
- E4-40x32 (ER32)
- E4-40x40 (ER40)

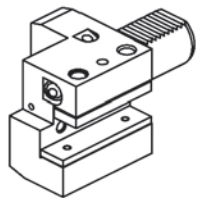
Drilling chuck

- KS2-40-13 (ø1-ø13 mm)
- KS2-40-16 (ø3-ø16 mm)

**DMG MORI
(VDI40)**

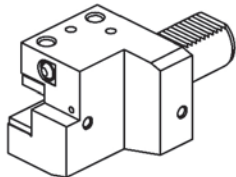
CTX410 V4/V6 (option)
 CTX420 V4/V6
 CTXBeta 500/800/1250 V6
 TWIN42/65/102 RG2
 GMX250/300/400/500
 SPRINT65 (option)

RADIAL TURRET



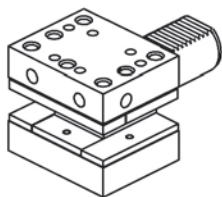
C1-40x25x85

Face and O.D.
cutting holder



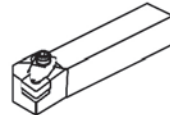
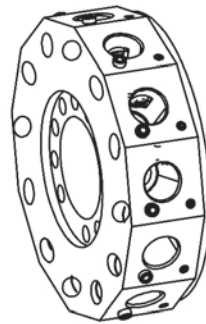
C2-40x25x85

Face and O.D.
cutting holder



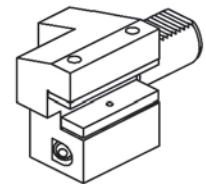
D1-40x25

Face and O.D.
cutting holder



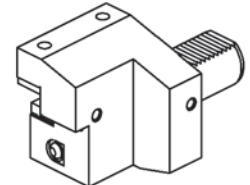
Qualified tool
25x25 mm

Face and O.D.
cutting holder



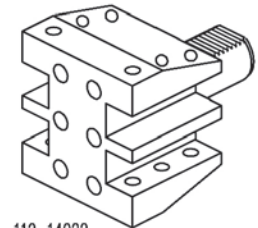
C3-40x25x85

Face and O.D.
cutting holder



C4-40x25x85

Face and O.D.
cutting holder

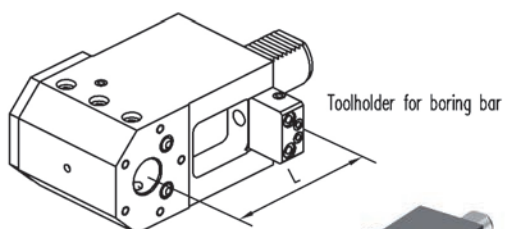


112-14022

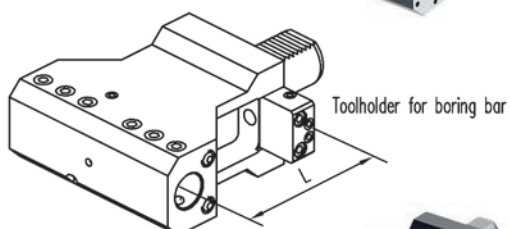
DMG MORI
(VDI40)

CTX410 V4/V6 (option)
 CTX420 V4/V6
 CTXBeta 500/800/1250 V4/V6
 TWIN42/65/102 RG2
 GMX250/300/400/500
 SPRINT65 (option)

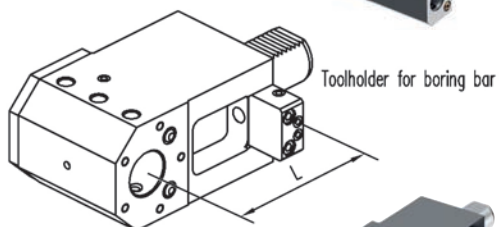
RADIAL TURRET



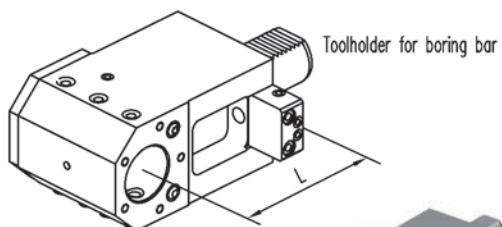
115-54130 (Ø25 L=100)



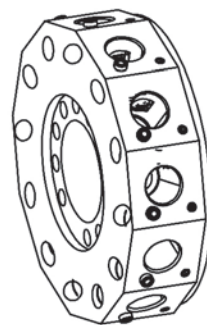
115-54133 (Ø25 L=100)



115-54131 (Ø32 L=100)
 115-54078 (Ø25 L=120)
 115-54079 (Ø32 L=120)



115-54132 (Ø40 L=100)
 115-54080 (Ø40 L=120)



ACCESSORIES



Boring bar sleeve (Ø25)

- 115-62579 (Ø8)
- 115-62580 (Ø10)
- 115-62581 (Ø12)
- 115-62582 (Ø16)
- 115-62583 (Ø20)



Boring bar sleeve (Ø32)

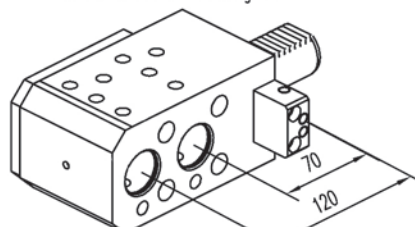
- 165-63223 (Ø8)
- 165-63224 (Ø10)
- 165-63225 (Ø12)
- 165-63226 (Ø16)
- 165-63227 (Ø20)
- 165-63228 (Ø25)



Boring bar sleeve (Ø40)

- 165-64082 (Ø8)
- 165-64083 (Ø10)
- 165-64084 (Ø12)
- 165-64085 (Ø16)
- 165-64086 (Ø20)
- 165-64087 (Ø25)
- 165-64088 (Ø32)

Double toolholder for boring bar



115-54147 (Ø32)



DMG MORI
(VDI50)

CTX620 V3/V4/V1
CTX Gamma 1250/2000 V3/V4
CTV400
CTX Beta 2000

AXIAL TURRET

Face and O.D. cutting holder

B1-50x32x55

Face and O.D. cutting holder overhead

B3-50x32x55

Face and O.D. cutting holder

B5-50x32x55

Face and O.D. cutting holder overhead

B7-50x32x55

Out-off holder
26 mm/32 mm

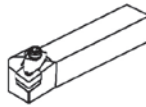
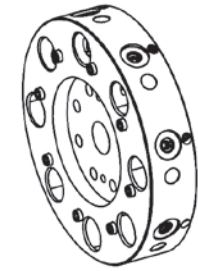
AR5026
AR5032

Bar puller

KH1-50

VDI damped, adjustable, stop bar

MW-5042-AM



ACCESSORIES

Boring bar sleeve $\varnothing 25$ mm

- 115-62584 ($\varnothing 8$ mm)
- 115-62585 ($\varnothing 10$ mm)
- 115-62586 ($\varnothing 12$ mm)
- 115-62587 ($\varnothing 16$ mm)
- 115-62588 ($\varnothing 20$ mm)

Boring bar sleeve $\varnothing 32$ mm

- 165-63229 ($\varnothing 8$ mm)
- 165-63230 ($\varnothing 10$ mm)
- 165-63231 ($\varnothing 12$ mm)
- 165-63232 ($\varnothing 16$ mm)
- 165-63233 ($\varnothing 20$ mm)
- 165-63234 ($\varnothing 25$ mm)

Boring bar sleeve $\varnothing 40$ mm

- 165-64082 ($\varnothing 8$ mm)
- 165-64083 ($\varnothing 10$ mm)
- 165-64084 ($\varnothing 12$ mm)
- 165-64085 ($\varnothing 16$ mm)
- 165-64086 ($\varnothing 20$ mm)
- 165-64087 ($\varnothing 25$ mm)
- 165-64088 ($\varnothing 32$ mm)

Toolholder for insert drill

- E1-50x16 ($\varnothing 16$ mm)
- E1-50x20 ($\varnothing 20$ mm)
- E1-50x25 ($\varnothing 25$ mm)
- E1-50x32 ($\varnothing 32$ mm)
- E1-50x40 ($\varnothing 40$ mm)
- E1-50x50 ($\varnothing 50$ mm)

Toolholder for boring bar

- E2-50x12 ($\varnothing 12$ mm)
- E2-50x16 ($\varnothing 16$ mm)
- E2-50x20 ($\varnothing 20$ mm)
- E2-50x25 ($\varnothing 25$ mm)
- E2-50x32 ($\varnothing 32$ mm)
- E2-50x40 ($\varnothing 40$ mm)
- E2-50x50 ($\varnothing 50$ mm)

Double holder for boring bar

- E7-50x32 ($\varnothing 32$ mm L=50 mm)
- E7-50x50 ($\varnothing 50$ mm L=68 mm)

Collet chuck

- E4-50x25 (ER25)
- E4-50x32 (ER32)
- E4-50x40 (ER40)

Drilling chuck

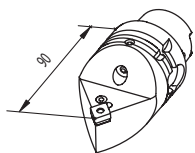
- KS2-50-13 ($\varnothing 1$ - $\varnothing 13$ mm)
- KS2-50-16 ($\varnothing 3$ - $\varnothing 16$ mm)

DMG MORI (HSK63T)

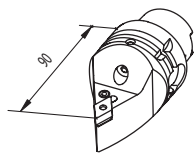
GMX400
GMX300
GMX250

ATC Turret (HSK63T)

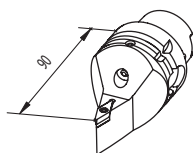
ICTM STANDARD



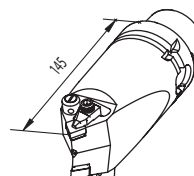
H63APCMNR12-90



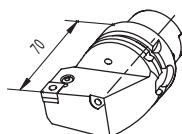
H63APDNNR15-90



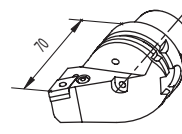
H63ASVVCN16-90



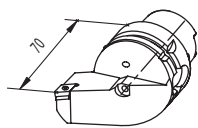
H63ADCM12DDM15-L145



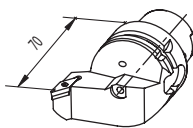
H63APCLNL/R12



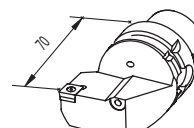
H63APDJNL/R15



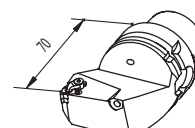
H63ASDJCL/R11



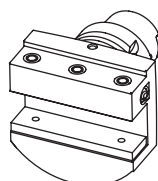
H63ASVJBL/R16



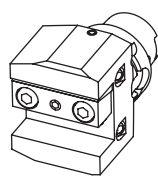
H63ASCLCL/R12



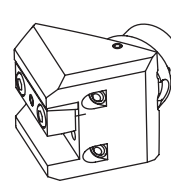
H63ATHEL/R16



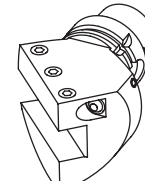
141-11408 32/25



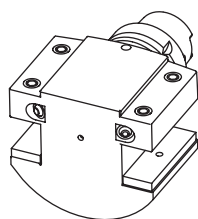
141-11406 25x25 mm



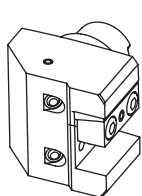
141-11405 25x25 mm



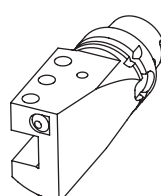
141-11407 (left) 25x25 mm
141-21401 (right)



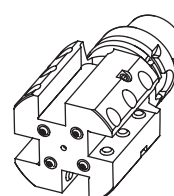
142-11405 32/25
142-11406 32/25



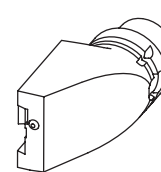
142-11402 25x25 mm



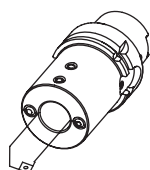
142-21401 (left) 25x25 mm
142-11403 (right)



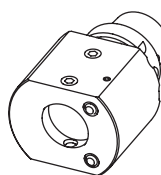
142-21404 20x20 mm (right)
142-21403 20x20 mm (left)



147-51405 (26mm, left)
147-51406 (26mm, right)
147-51407 (32mm, left)
147-51408 (32mm, right)



145-21404 (Ø12)
145-21406 (Ø16)
145-21408 (Ø20)
145-21409 (Ø25)
145-21410 (Ø32)
145-21411 (Ø40)



145-21412 Ø40 mm



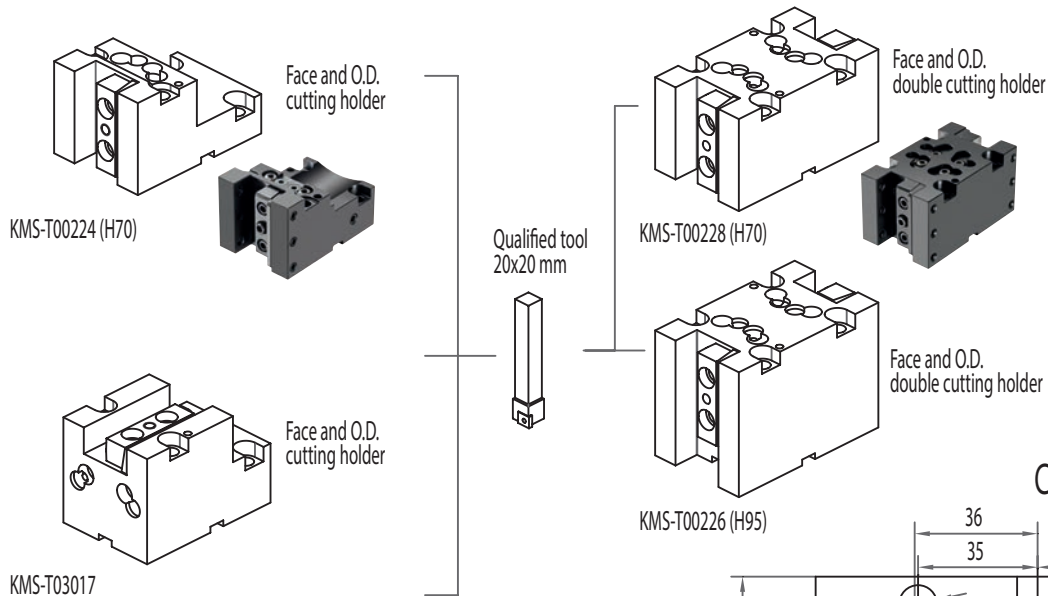
165-64124 (Ø10 mm)
165-64125 (Ø12 mm)
165-64126 (Ø16 mm)
165-64127 (Ø20 mm)



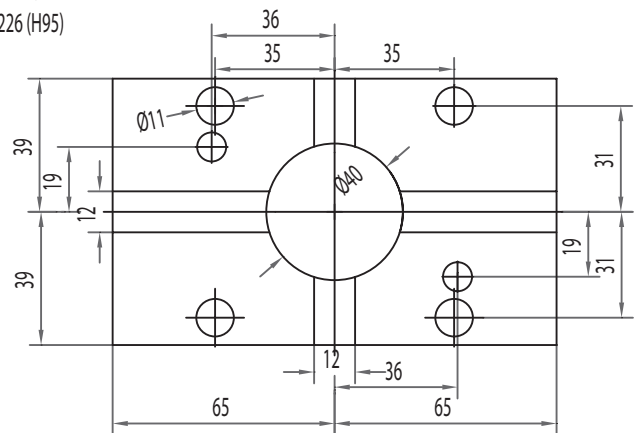
165-64128 (Ø25 mm)
165-64129 (Ø32 mm)

**DMG MORI
(BMT40)**

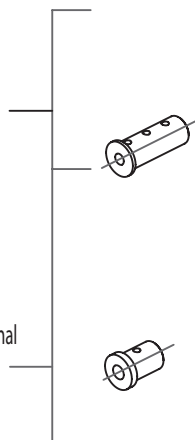
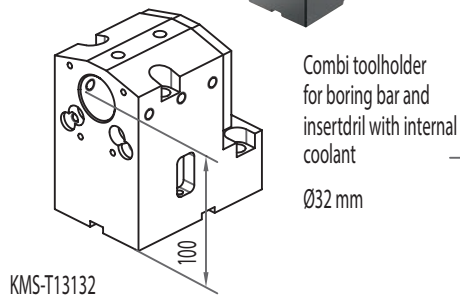
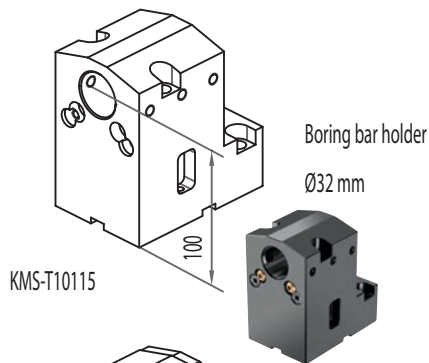
CTX310ECO-BMT
NZ1500
NZ2000
NTX1000-2000



CONNECTION



ACCESSORIES

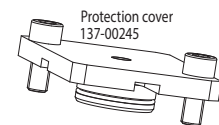


Boring bar sleeve

- KMS-T20122 (Ø25 mm)
- KMS-T20120 (Ø20 mm)
- KMS-T20118 (Ø16 mm)
- KMS-T20116 (Ø12 mm)
- KMS-T20114 (Ø10 mm)
- KMS-T20112 (Ø8 mm)

Throw-away drill socket

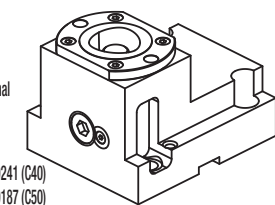
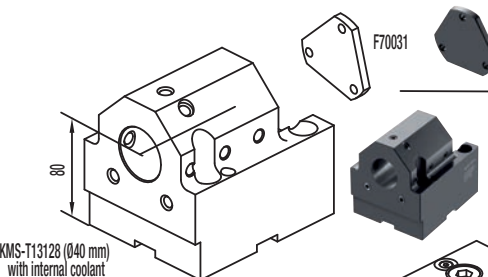
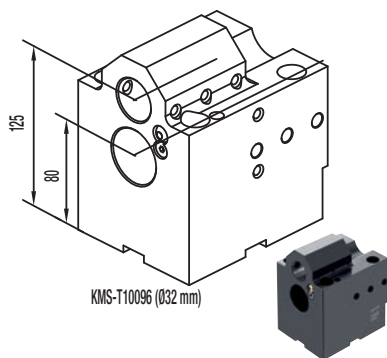
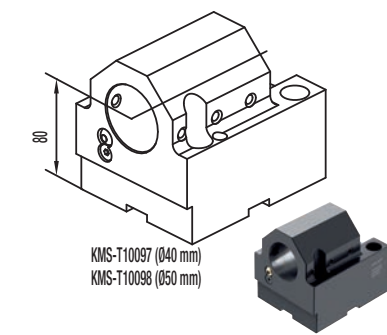
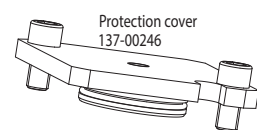
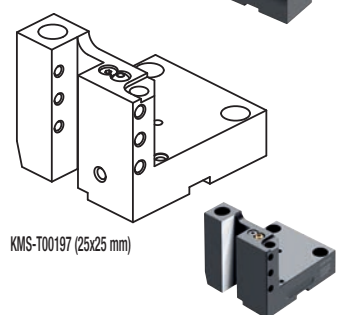
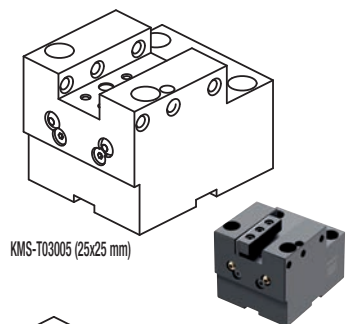
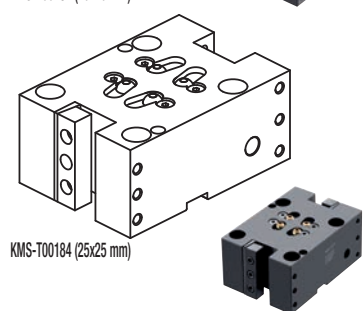
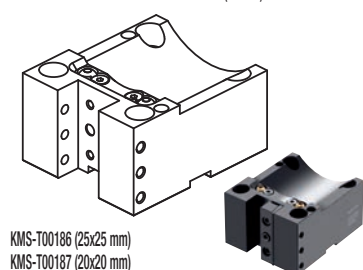
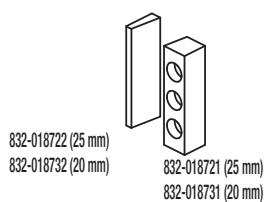
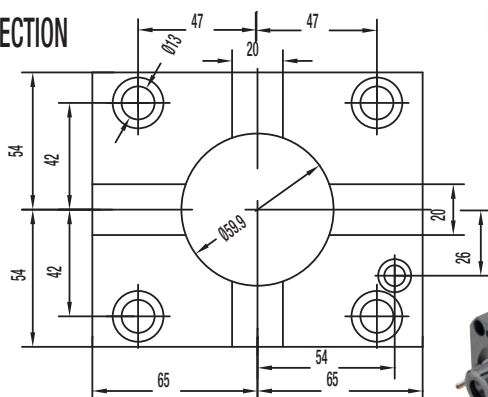
- KMS-T22054 (Ø25 mm)
- KMS-T22052 (Ø20 mm)
- KMS-T22068 (Ø16 mm)



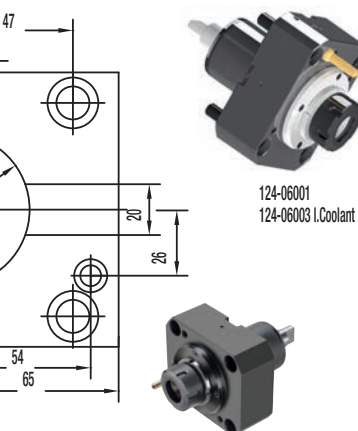
DMG MORI (BMT60)

NLX1500 - NLX2000
 NLX2500 - NLX3000
 NL2000 (S)MC - 2500 (S)MC
 NL3000MC (12 STATIONS)
 NT3250 - NT4200 - NT4250
 NT4300 - NT5400 - NZL2500

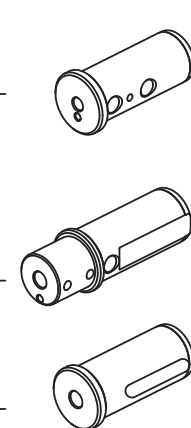
CONNECTION



NEWS



ACCESSORIES



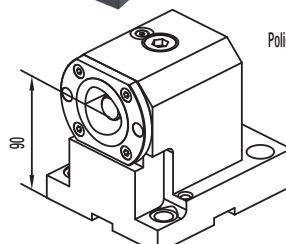
KMS-T20098-A (Ø32 mm)
 KMS-T20096-A (Ø25 mm)
 KMS-T20094-A (Ø20 mm)
 KMS-T20092-A (Ø16 mm)
 KMS-T20090-A (Ø12 mm)
 KMS-T20088-A (Ø10 mm)
 KMS-T20086-A (Ø8 mm)

KMS-T20196-A (Ø20 mm)
 KMS-T20194-A (Ø16 mm)
 KMS-T20110-A (Ø12 mm)
 KMS-T20108-A (Ø10 mm)
 KMS-T20106-A (Ø8 mm)

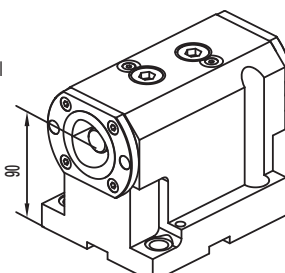
KMS-T22042-A (MT3)
 KMS-T22044-A (MT4)
 KMS-T22046-A (MT2)
 KMS-T22066-A (MT1)

KMS-T20122-A (Ø25 mm)
 KMS-T20120-A (Ø20 mm)
 KMS-T20118-A (Ø16 mm)
 KMS-T20116-A (Ø12 mm)
 KMS-T20114-A (Ø10 mm)
 KMS-T20112-A (Ø8 mm)

KMS-T20100-A (Ø32 mm)
 KMS-T20102-A (Ø25 mm)
 KMS-T20104-A (Ø20 mm)
 KMS-T20190-A (Ø16 mm)



NEWS



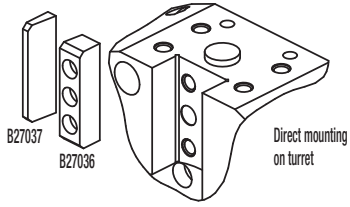
NEWS

DMG MORI

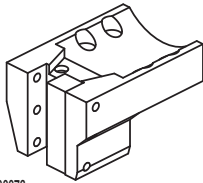
SL203MC
SL253MC
ZL200MC
ZL250SMC
SL204SMC
SL300MC

CMZ

TL20
TL25
TC30
TC35

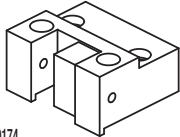


Direct mounting on turret



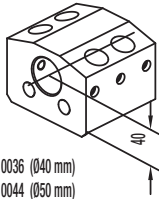
Face and O.D. cutting holder

KMS-T00076



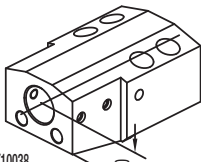
Face and O.D. cutting holder

KMS-T00174



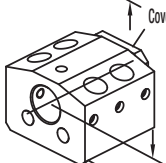
Boring bar holder

KMS-T10036 (Ø40 mm)
KMS-T10044 (Ø50 mm)

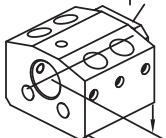


Boring bar holder Ø40 mm

KMS-T10038

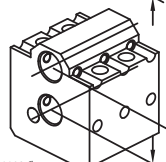


Cover:832-003063



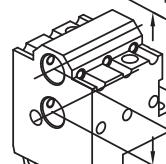
Combi toolholder for boring bar and insertdrill with internal coolant Ø40 mm

KMS-T13064



Boring bar holder Ø32 mm

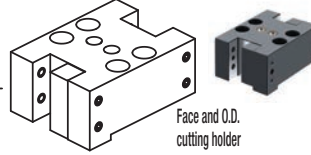
KMS-T10086 Ø



Boring bar holder Ø32 mm

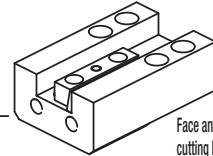
KMS-T10208

Qualified tool 25x25 mm



Face and O.D. cutting holder

KMS-T00158



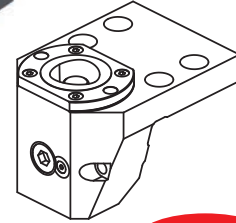
Face and I.D. cutting holder

KMS-T00082



Cut-off holder

KMS-T00156

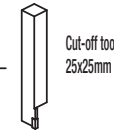


Face and O.D. cutting holder

Polygonal

128-12527 (C40)
128-12513 (C50)

NEWS



Cut-off tool 25x25mm

ACCESSORIES



Drill socket

KMS-T22042 <MT3>
KMS-T22044 (for Ø50 mm) <MT4>
KMS-T22046 <MT2>



Boring bar sleeve

KMS-T20098 (Ø32 mm)
KMS-T20096 (Ø25 mm)
KMS-T20094 (Ø20 mm)
KMS-T20092 (Ø16 mm)
KMS-T20090 (Ø12 mm)
KMS-T20088 (Ø10 mm)
KMS-T20086 (Ø8 mm)



Throw-away drill socket

KMS-T20100 (Ø32 mm)
KMS-T20102 (Ø25 mm)
KMS-T20104 (Ø20 mm)
KMS-T20190 (Ø16 mm)



Boring bar sleeve

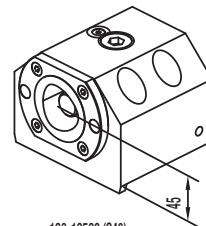
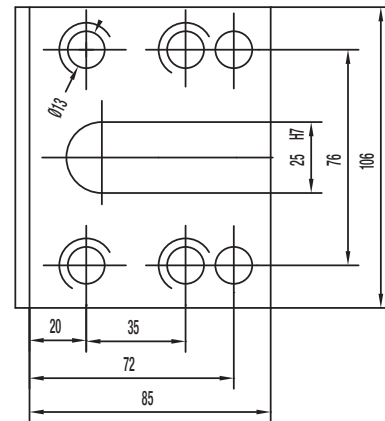
KMS-T20122 (Ø25 mm)
KMS-T20120 (Ø20 mm)
KMS-T20118 (Ø16 mm)
KMS-T20116 (Ø12 mm)
KMS-T20114 (Ø10 mm)
KMS-T20112 (Ø8 mm)



Drill socket

KMS-T22048 <MT2>
KMS-T22050 <MT1>

CONNECTION



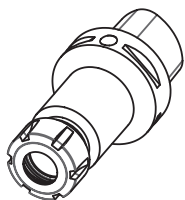
Boring bar holder

Polygonal

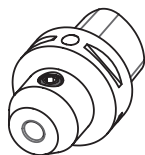
128-12526 (C40)
128-12509 (C50)

NEWS

DMG MORI CTX Gamma 1250TC/2000TC



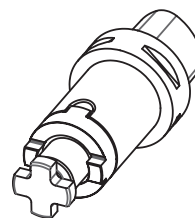
C63H60ER16 C63H100ER16
C63H60ER20 C63H100ER20
C63H60ER25 C63H100ER25
C63H60ER32 C63H100ER32
C63H70ER40 C63H130ER40



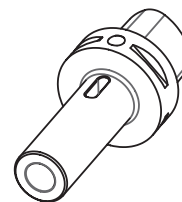
C63H55WE06 C63H65WE16
C63H55WE08 C63H65WE20
C63H60WE10 C63H80WE25
C63H60WE12 C63H90WE32
C63H60WE14



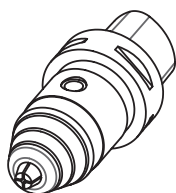
C63H40D16 C63H100D27
C63H63D16 C63H25D32
C63H25D22 C63H100D32
C63H100D22 C63H40D40
C63H25D27 C63H100D40



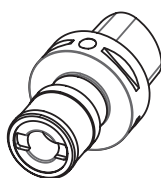
C63H90D16
C63H90D22
C63H90D27
C63H90D32
C63H90D40



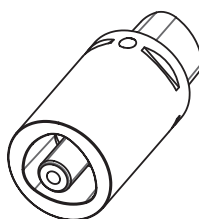
C63H110CM2P
C63H130CM3P
C63H150CM4P



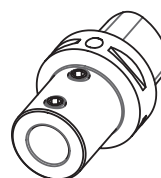
C63H112R1-13
C63H112R3-16



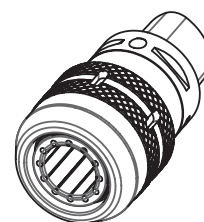
C63GR1
C63GR2



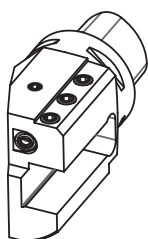
C63H100C63
C63H140C63



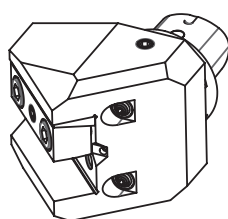
C63H60D08PNT C63H70D20PNT
C63H60D10PNT C63H72D25PNT
C63H60D12PNT C63H75D32PNT
C63H70D16PNT C63H75D40PNT



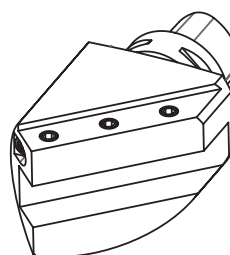
C63H80C20
C63H100C32



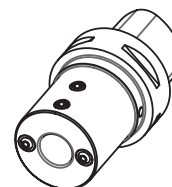
C63-AD2020R/L
C63-AD2525R/L
C63-AD3232R/L



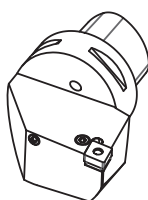
C63-ARD2525-45



C63AR20R/L
C63AR25R/L



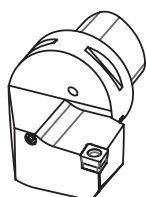
C63H80D16E2
C63H80D20E2
C63H88D25E2
C63H95D32E2
C63H105D40E2



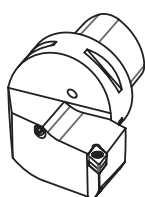
C63-PCLNR/L12



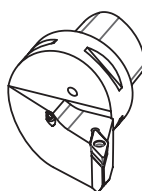
C63-25PCLNR/L12
C63-32PCLNR/L12



C63-SCLCR/L09
C63-SCLCR/R12



C63-SDJCR/L11



C63-SVHBR/L16
C63-SVHCR/L16



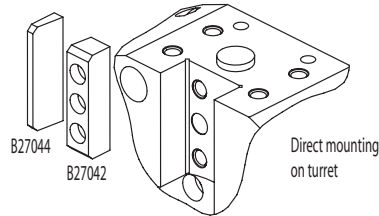
C63-SVJBR/L16
C63-SVJCR/L16



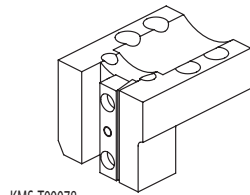
C63-SVVCN16-190

DMG MORI

SL150
SL153
ZL150
CL150
SL154



Direct mounting on turret

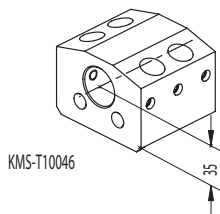


Face and O.D. cutting holder (Only for CL-150)



KMS-T00078

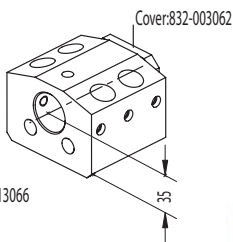
ACCESSORIES



Boring bar holder
Ø32 mm



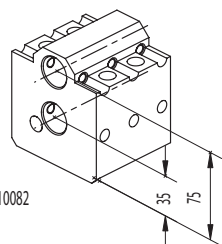
KMS-T10046



Combi toolholder for boring bar and insertdrill with internal coolant
Ø32 mm



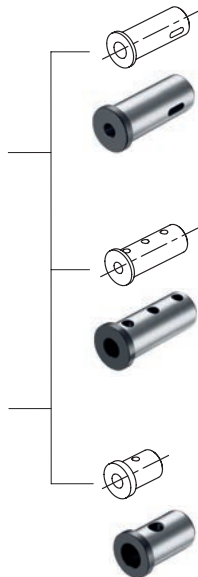
KMS-T13066



Boring bar holder
Ø25 mm



KMS-T10082



Drill socket

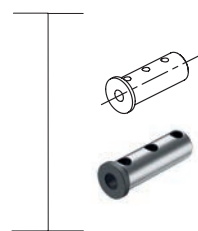
KMS-T22048 <MT2>

Boring bar sleeve

KMS-T20122 (Ø25 mm)
KMS-T20120 (Ø20 mm)
KMS-T20118 (Ø16 mm)
KMS-T20116 (Ø12 mm)
KMS-T20114 (Ø10 mm)
KMS-T20112 (Ø8 mm)

Throw-away drill socket

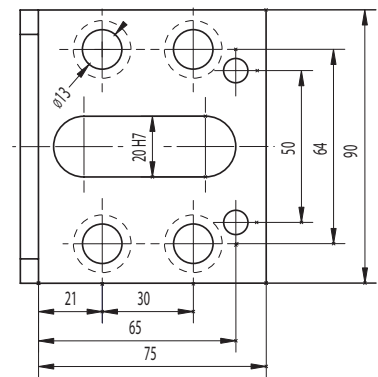
KMS-T22054 (Ø25 mm)
KMS-T22052 (Ø20 mm)
KMS-T22068 (Ø16 mm)



Boring bar sleeve

KMS-T20188 (Ø20 mm)
KMS-T20186 (Ø16 mm)
KMS-T20184 (Ø12 mm)
KMS-T20182 (Ø10 mm)
KMS-T20180 (Ø8 mm)

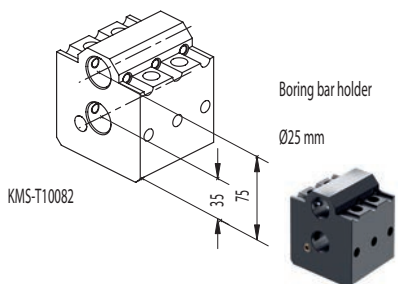
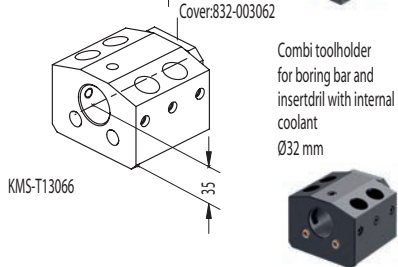
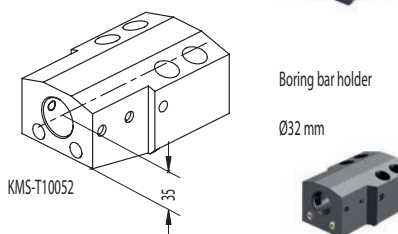
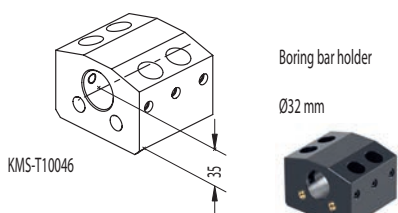
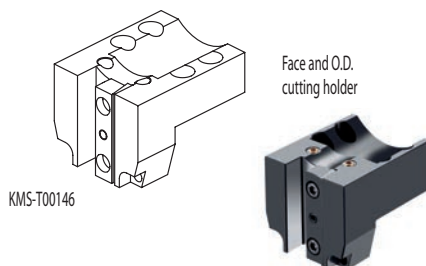
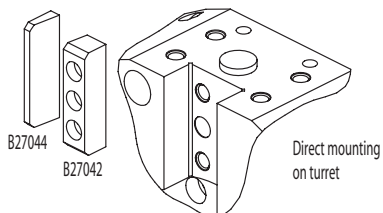
CONNECTION



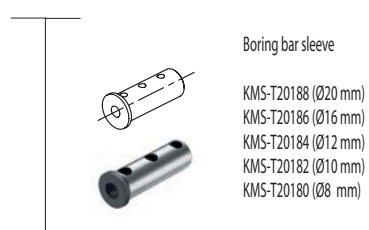
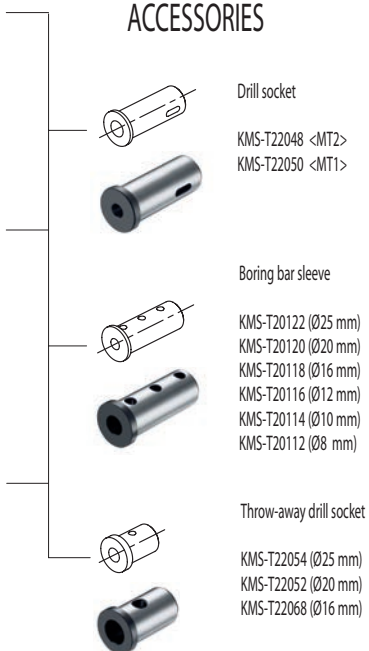
DMG MORI

SL153MC
ZL150MC
SL154MC

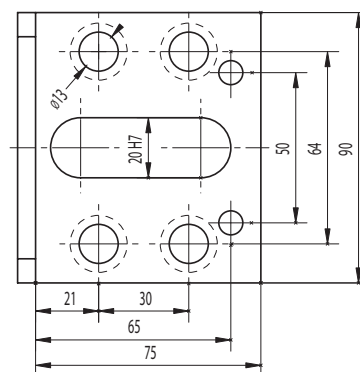
CMZ TL15



ACCESSORIES

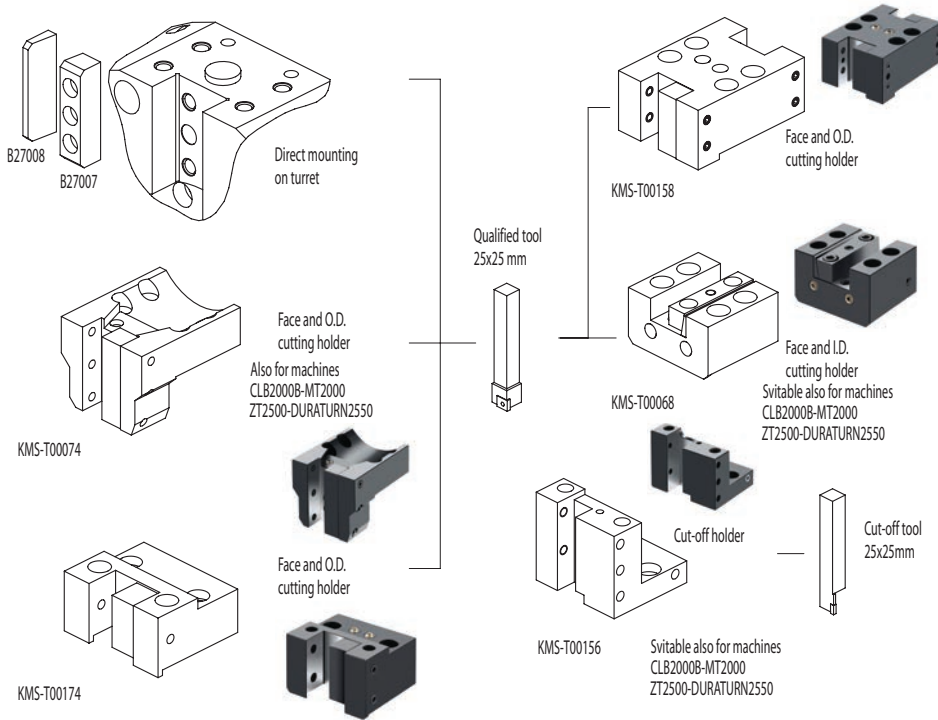


CONNECTION

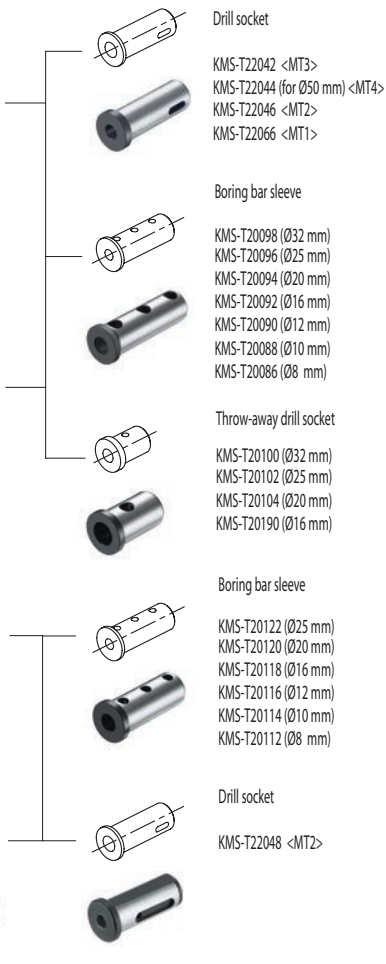
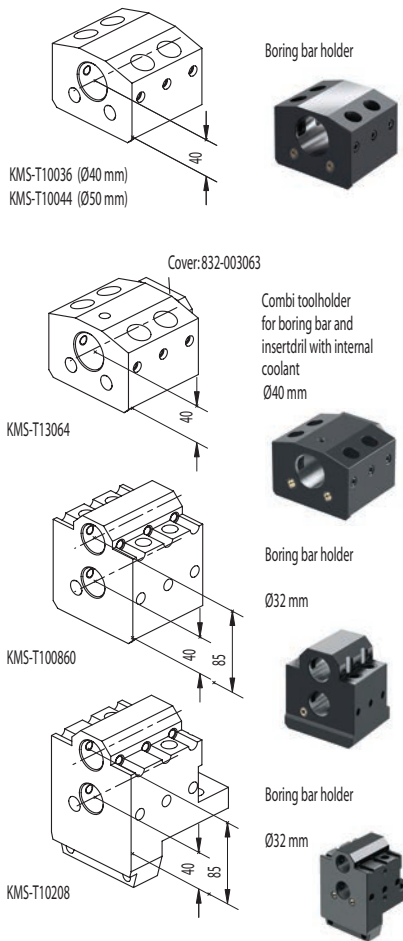


DMG MORI

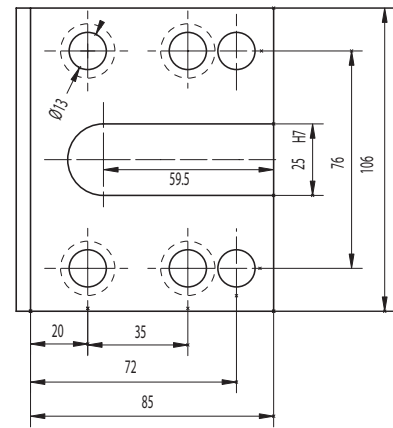
SL200 - SL203 - SL250
 SL253 - ZL200 - ZL250
 (CL200) - SL204
 DURATURN 2030
 DURATURN 2050
 DURATURN 2550



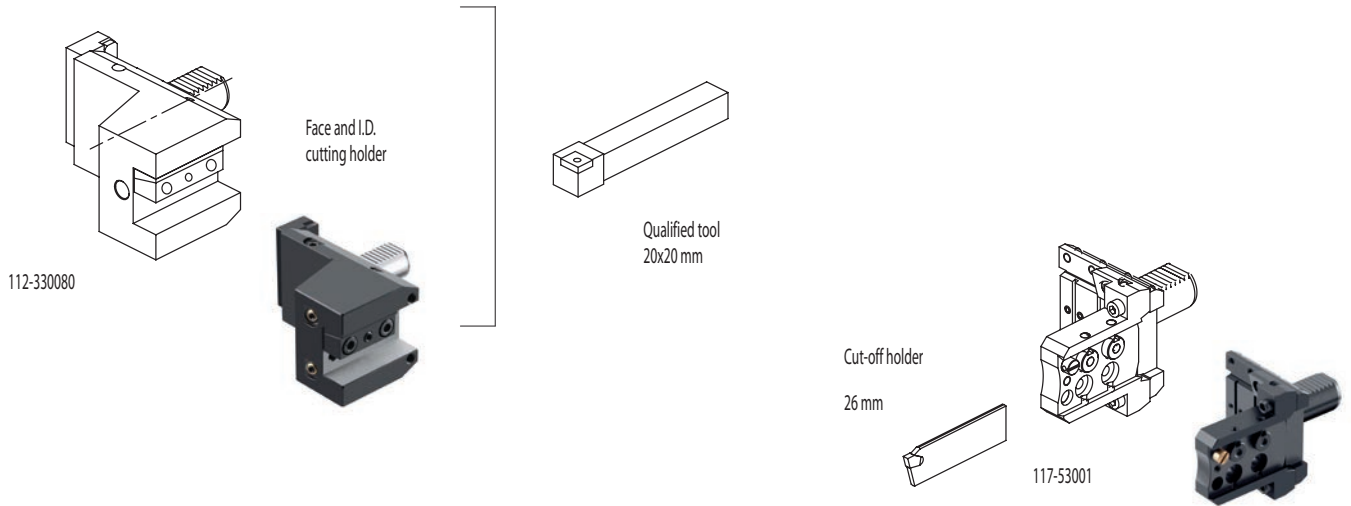
ACCESSORIES



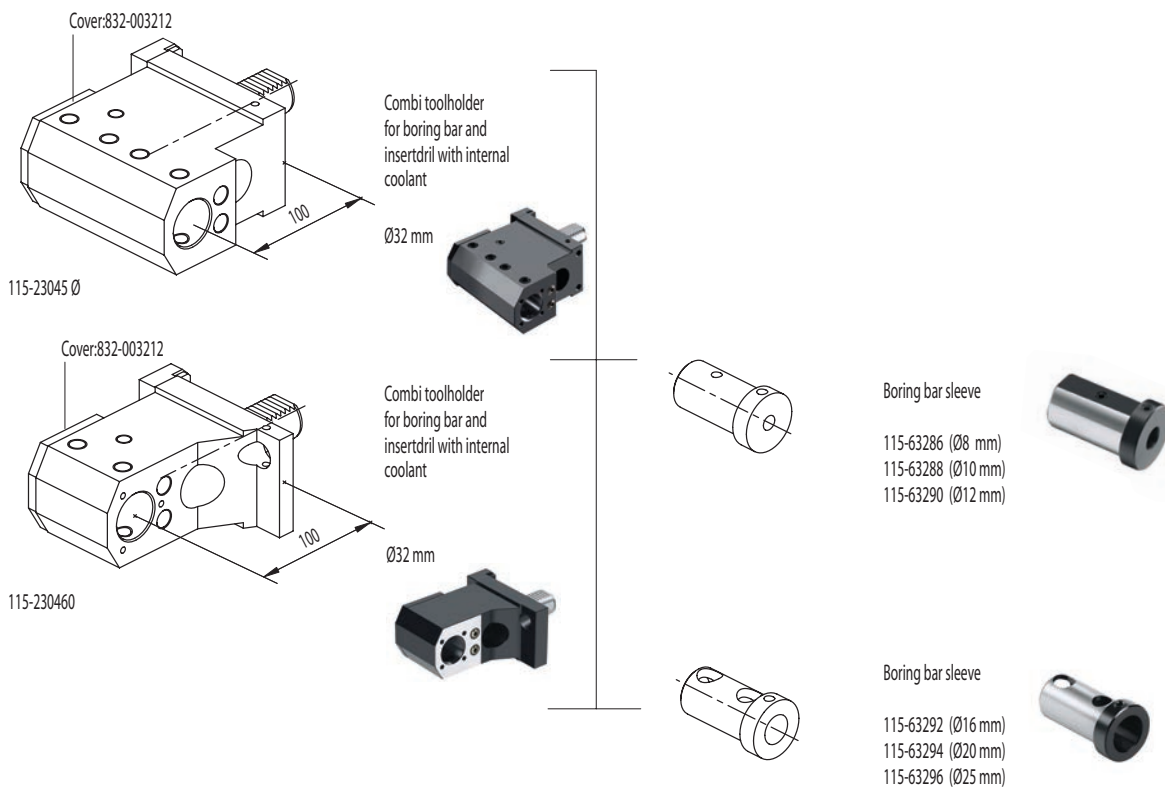
CONNECTION



OKUMA LT10M
LT200M
LB10

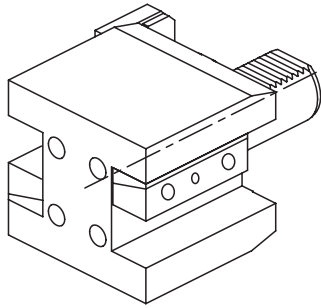


ACCESSORIES



OKUMA
(VDI40)

LT15M
LT300M
MT250
LB300
LB300M
LV300

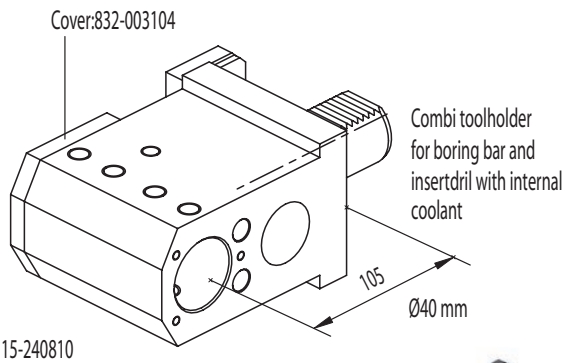


112-14009

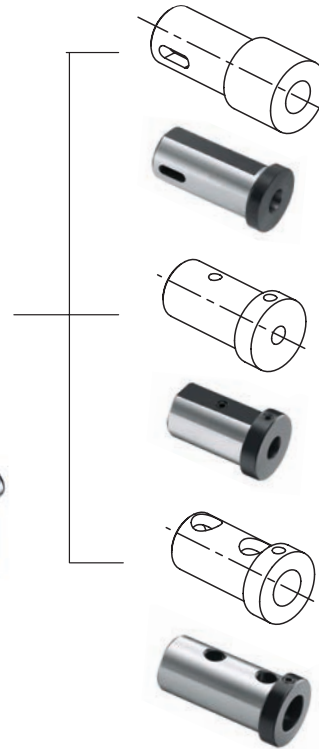
Face and O.D.
cutting holder



ACCESSORIES



115-240810



Drill socket

165-64010 <MT1>
165-64011 <MT2>
165-64012 <MT3>

Boring bar sleeve and
throw-away drill socket

115-64099 (Ø16 mm)
165-64001 (Ø20 mm)

Boring bar sleeve and
throw-away drill socket

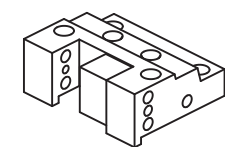
165-64002 (Ø25 mm)
165-64003 (Ø32 mm)

OKUMA

LB15
LB25
LB15II
LB300

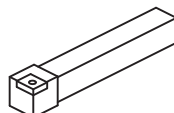
HAAS

SL20 - SL30
ST-20 - ST-25
ST-30 - ST-35
DS-30

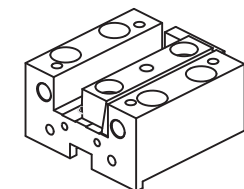


128-42011 Ø

Face and O.D. cutting holder

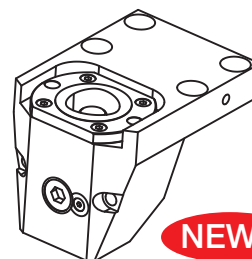


Qualified tool
25x25 mm



128-32001

Face and I.D. cutting holder



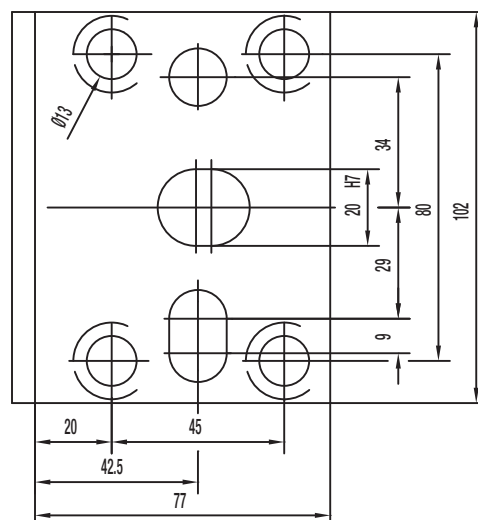
Face and O.D. cutting holder

Poligonal

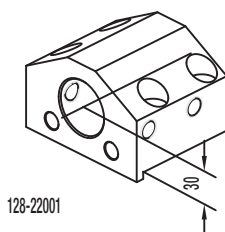
NEWS

128-12072 (C40)
128-12059 (C50)

CONNECTION

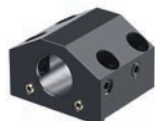


ACCESSORIES



128-22001

Toolholder for boring bar



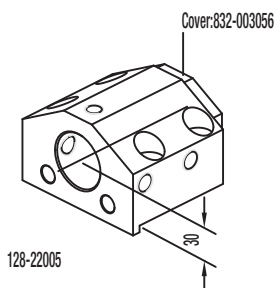
Drill socket

165-64010 <MT1>
165-64011 <MT2>
165-64012 <MT3>



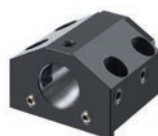
Boring bar sleeve and throw-away drill socket

165-64135 (Ø8 mm)
165-64013 (Ø10 mm)
165-64014 (Ø12 mm)
165-64015 (Ø16 mm)
165-64016 (Ø20 mm)



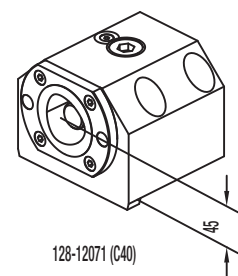
128-22005

Combi toolholder for boring bar and insertdrill with internal coolant



Boring bar sleeve and throw-away drill socket

165-64017 (Ø25 mm)
165-64018 (Ø32 mm)



Boring bar holder

Poligonal

NEWS

128-12071 (C40)
128-12057 (C50)

**OKUMA
(HSK63T)**

Mac Turn 250/350/400
Multus B250/B300/B400

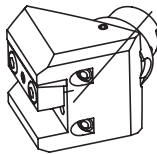
For turning

ATC Turret (HSK63T)

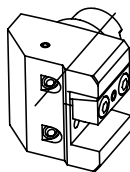
ICTM STANDARD

45°

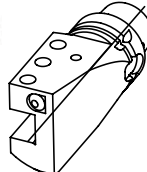
90°



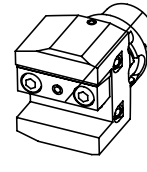
141-11405 25x25 mm



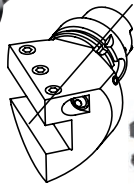
142-11402 25x25 mm



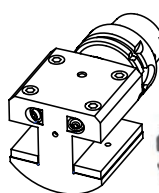
142-21401 (left) 25x25 mm
142-11403 (right)



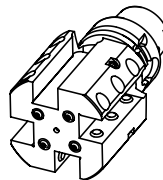
141-11406 25x25 mm



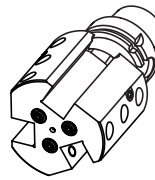
141-11407 (left) 25x25 mm
141-21401 (right)



142-11405 32x32/25x25 mm

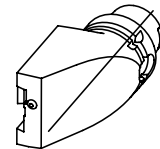


142-21403 20x20 mm (left)
142-21404 20x20 mm (right)

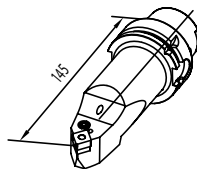


142-21402 20x20 mm (left)
142-11404 20x20 mm (right)

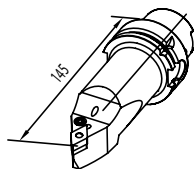
CUT-OFF HOLDER



147-51405 (26mm, left)
147-51406 (26mm, right)
147-51407 (32mm, left)
147-51408 (32mm, right)



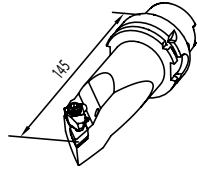
H63APCMNR12-L145



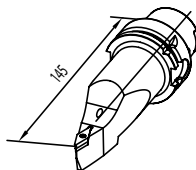
H63APDNNR15-L145



H63ADDMNL15-L145

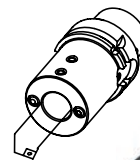


H63ASDNCN11-L145

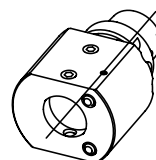


H63ASVVCN16-L145

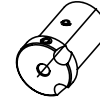
BORING BAR HOLDER



145-21404 (Ø12)
145-21406 (Ø16)
145-21408 (Ø20)
145-21409 (Ø25)
145-21410 (Ø32)
145-21411 (Ø40)



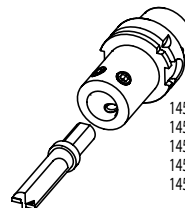
145-21412 Ø40 mm



165-64124 (Ø10 mm)
165-64125 (Ø12 mm)
165-64126 (Ø16 mm)
165-64127 (Ø20 mm)



165-64128 (Ø25 mm)
165-64129 (Ø32 mm)

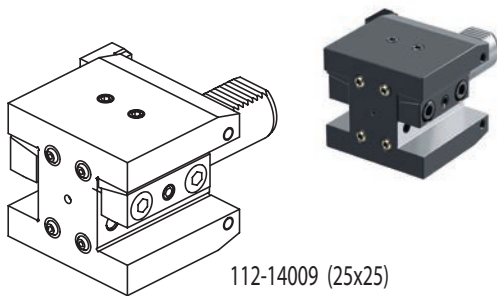


145-11406 (Ø16)
145-11408 (Ø20)
145-11409 (Ø25)
145-11410 (Ø32)
145-11411 (Ø40)



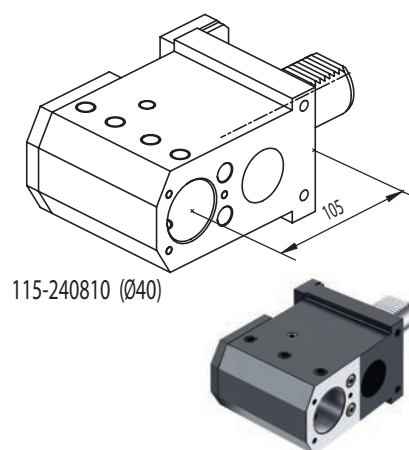
OKUMA
(VDI40) Mac Turn 250/350

Lower Turret (VDI 40)

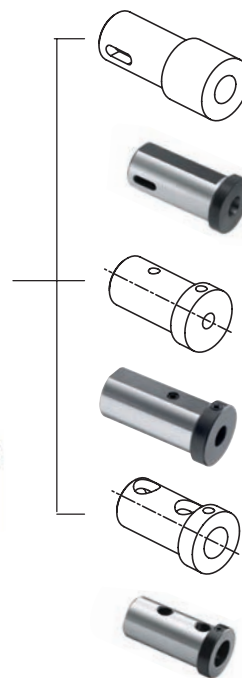


112-14009 (25x25)

ACCESSORIES



115-240810 (Ø40)



Drill socket

- 165-64010 <MT1>
- 165-64011 <MT2>
- 165-64012 <MT3>

Boring bar sleeve and throw-away drill socket

- 115-64099 (Ø16 mm)
- 165-64001 (Ø20 mm)

Boring bar sleeve and throw-away drill socket

- 165-64002 (Ø25 mm)
- 165-64003 (Ø32 mm)

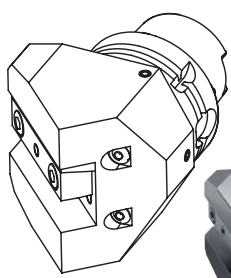
OKUMA
(HSK100A) Mac Turn 550

For turning

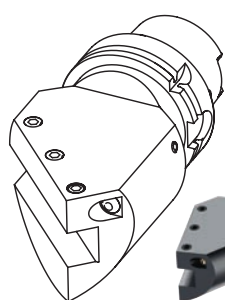
ATC Turret (HSK100A) ICTM STANDARD

45°

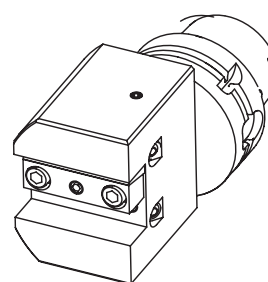
90°



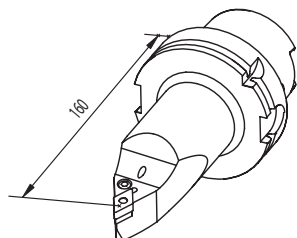
141-11603 25x25 mm



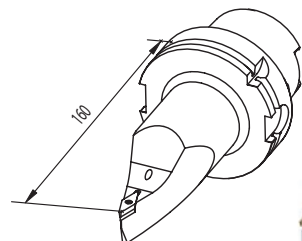
141-11601 25x25 mm



141-11602 25x25 mm



H100APDNNR15-L160

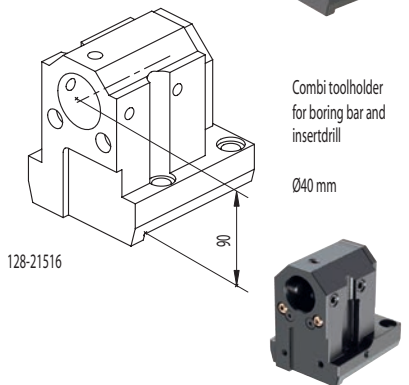
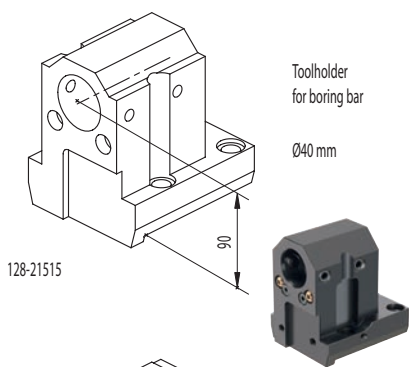
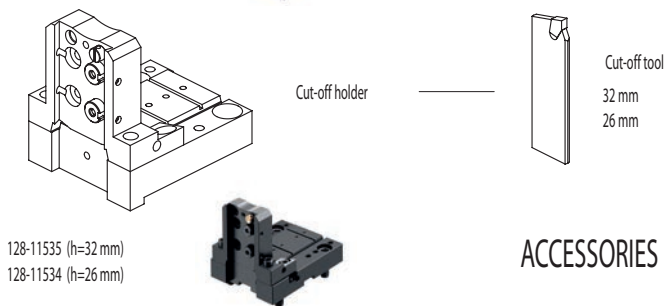
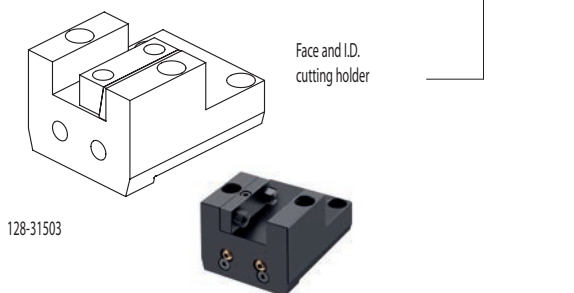
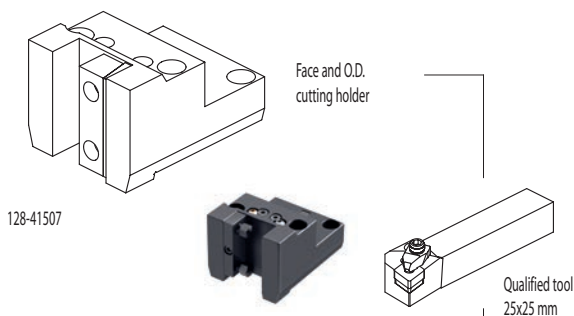


H100ASVVCN16-L160

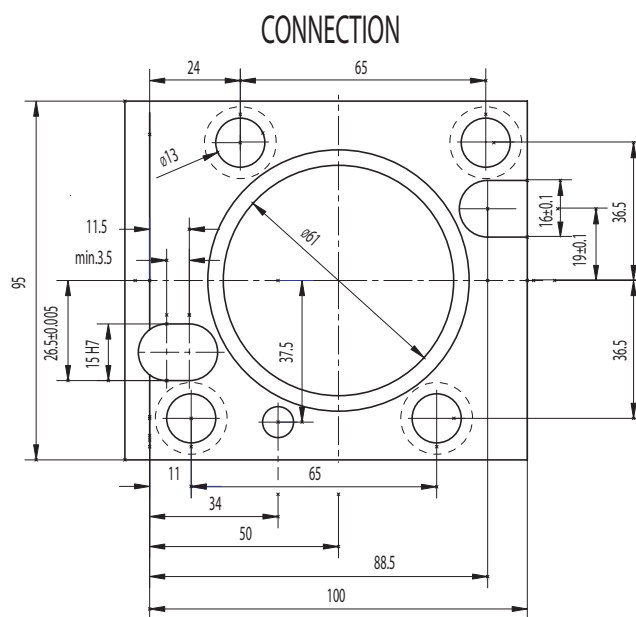
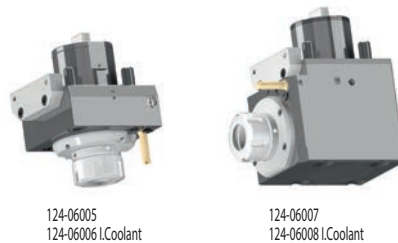
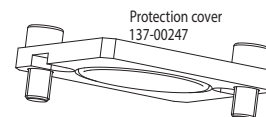
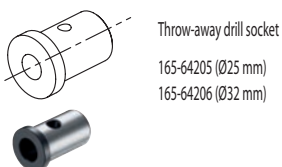


OKUMA (BMT60)

LB2000 EX (M)
LB2500 EX (M)
LB3000 EX (M, MY)
LT2000 EX
LT3000 EX

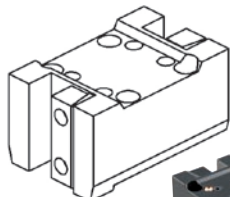


ACCESSORIES



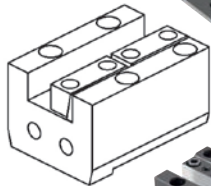
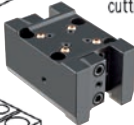
**OKUMA
(BMT60)**

LB3000 EX (MW, MYW)



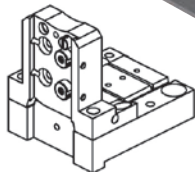
128-41509

Face and O.D.
cutting holder



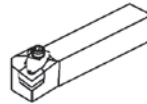
128-31505

Face and I.D.
cutting holder



128-11535 (h=32 mm)

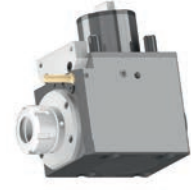
Cut-off holder



Qualified tool
25x25 mm

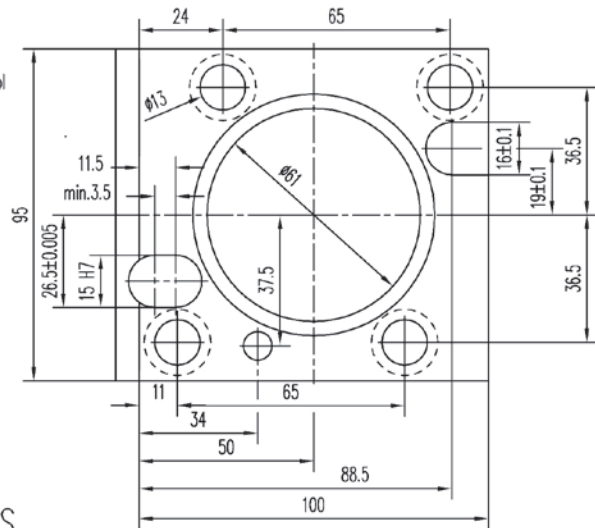


124-06005
124-06006 I.Coolant

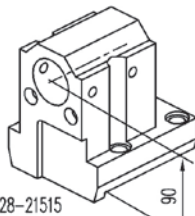


124-06007
124-06008 I.Coolant

CONNECTION

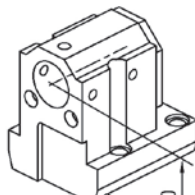


ACCESSORIES



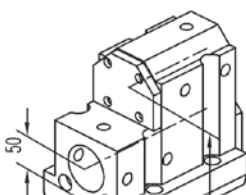
128-21515

Toolholder
for boring bar
 $\phi 40$ mm



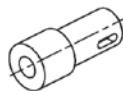
128-21516

Combi toolholder
for boring bar and
insertdrill
 $\phi 40$ mm



128-21520

Double combi toolholder
for boring bar and
insertdrill
 $\phi 40$ mm



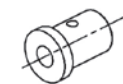
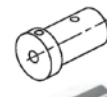
Drill socket

165-64011 <MT2>
165-64012 <MT3>



Boring bar sleeve

165-64013 ($\phi 10$ mm)
165-64014 ($\phi 12$ mm)
165-64015 ($\phi 16$ mm)
165-64016 ($\phi 20$ mm)



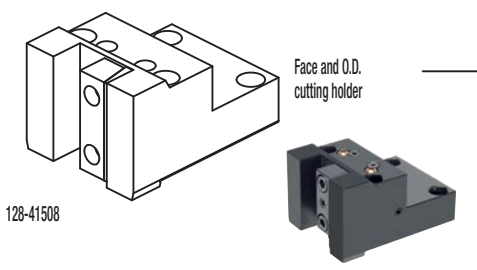
Throw-away drill socket

165-64205 ($\phi 25$ mm)
165-64206 ($\phi 32$ mm)



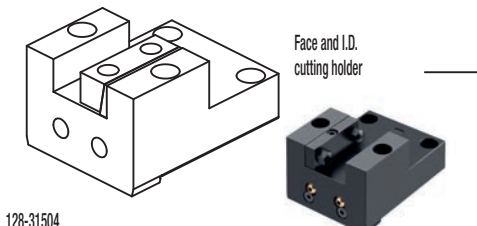
Protection cover
137-00247

OKUMA (BMT60) LB4000 EX (M, MY)



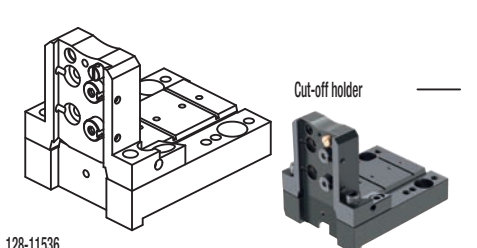
128-41508

Face and O.D. cutting holder



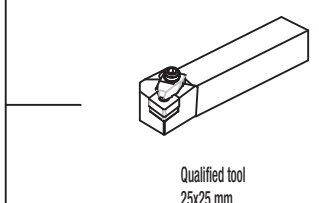
128-31504

Face and I.D. cutting holder

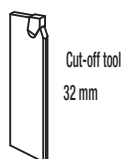


128-11536

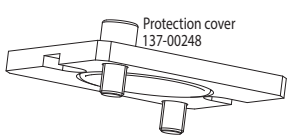
Cut-off holder



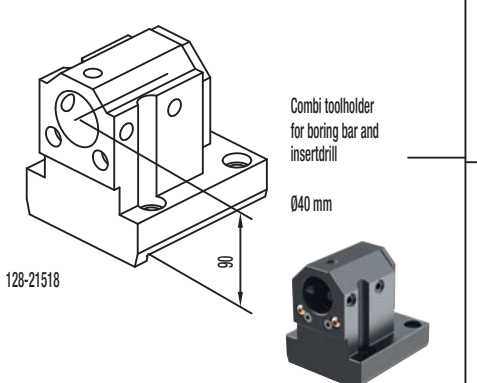
Qualified tool 25x25 mm



Cut-off tool 32 mm



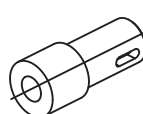
Protection cover 137-00248



128-21518

Combi toolholder for boring bar and insertdrill
Ø40 mm

ACCESSORIES



Drill socket

- 165-64010 <MT1>
- 165-64011 <MT2>
- 165-64012 <MT3>



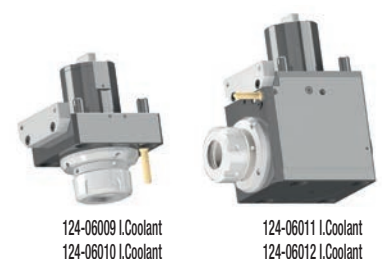
Boring bar sleeve

- 165-64135 (Ø8 mm)
- 165-64013 (Ø10 mm)
- 165-64014 (Ø12 mm)
- 165-64015 (Ø16 mm)
- 165-64016 (Ø20 mm)



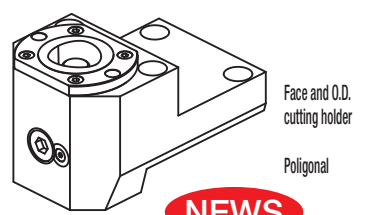
Throw-away drill socket

- 165-64203 (Ø16 mm)
- 165-64204 (Ø20 mm)
- 165-64205 (Ø25 mm)
- 165-64206 (Ø32 mm)



124-06009 I.Coolant
124-06010 I.Coolant

124-06011 I.Coolant
124-06012 I.Coolant

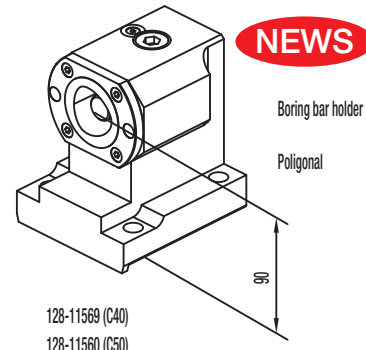
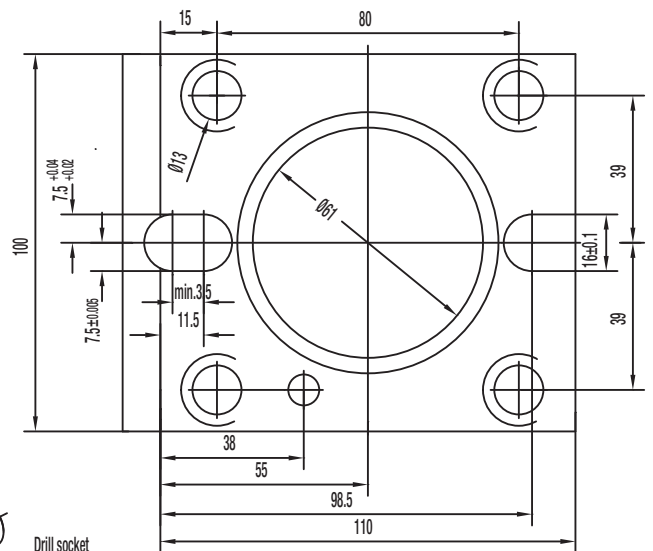


128-11570 (C40)
128-11562 (C50)

NEWS

Face and O.D. cutting holder
Polygonal

CONNECTION



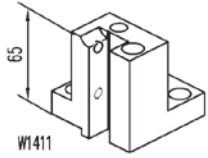
128-11569 (C40)
128-11560 (C50)

NEWS

Boring bar holder
Polygonal

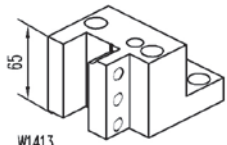
NAKAMURA TOME
(BMT55)

TW10



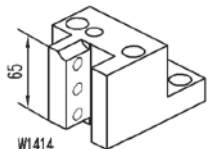
W1411

Face and O.D. cutting holder



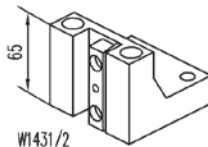
W1413

Face and O.D. cutting holder



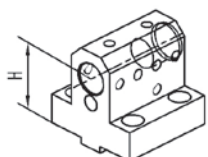
W1414

Face and O.D. cutting holder



W1431/2

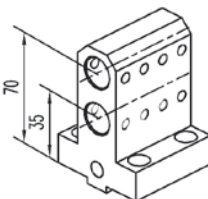
Face and O.D. cutting holder



W1417 D25 (H=55 mm)
W4437 D25 (H=75 mm)

Combi toolholder for boring bar and insert drill

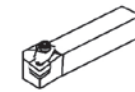
∅25 mm



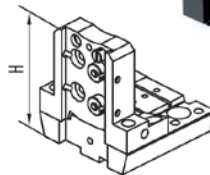
W1418 D25

Double toolholder for boring bar

∅25 mm



Qualified tool
20x20 mm



121-22076 (h=32 mm H=100 mm)

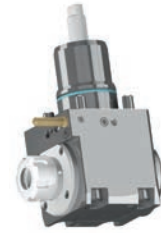
Cut-off holder



Cut-off tool

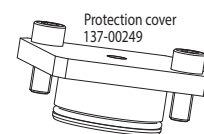
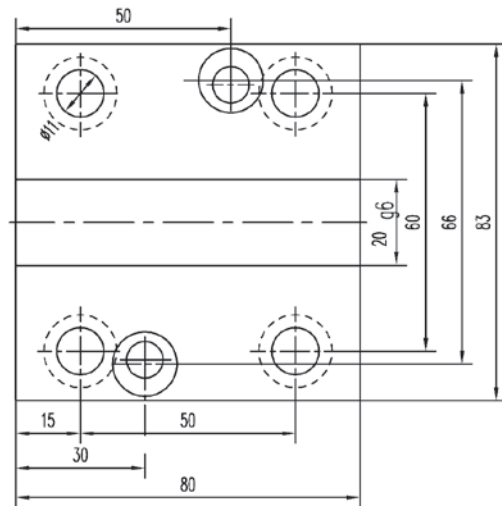


124-05507
124-05508 L.Coolant



124-05509
124-05510 L.Coolant

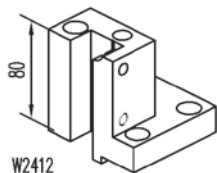
CONNECTION



Protection cover
137-00249

NAKAMURA TOME (BMT65)

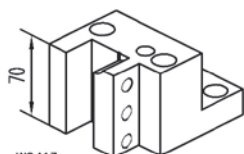
WT300 / SC300 / TW20
TMC-200M / TMC-300M / SUPER NTX
TW20M / MY / MM / MMY / MMY (12 stations)
TW30M / MY / MM / MMY / MMY (16 stations)



W2412



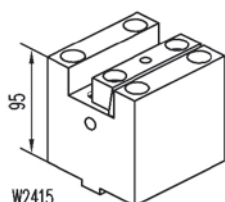
Face and O.D. cutting holder
25x25 mm



W2413



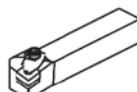
Face and O.D. cutting holder
25x25 mm



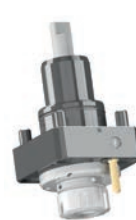
W2415



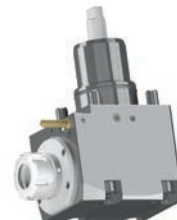
Face and I.D. cutting holder
25x25 mm



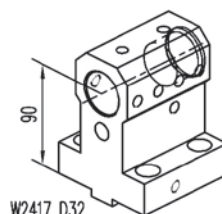
Qualified tool



124-06504
124-06505 I.Coolant



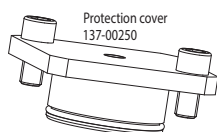
124-06506
124-06507 I.Coolant



W2417 D32

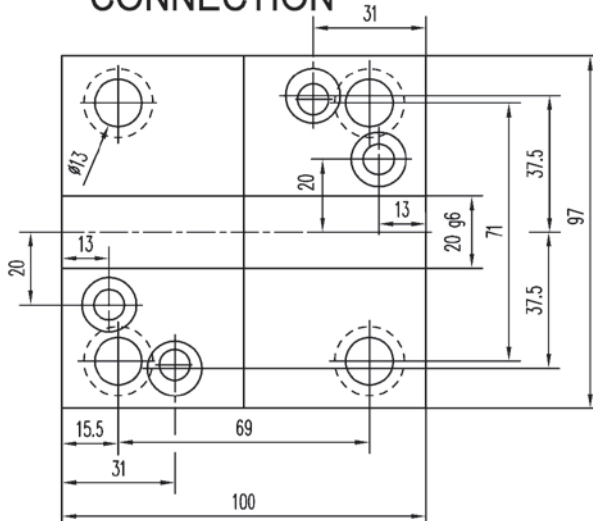
Combi toolholder
for boring bar and
insertdrill

∅32 mm



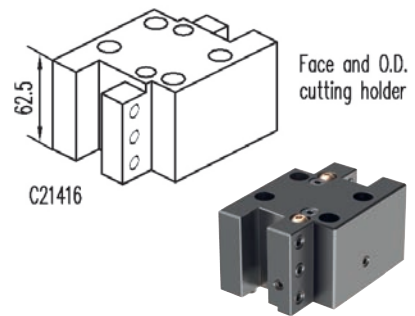
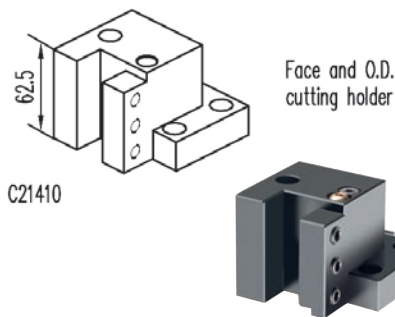
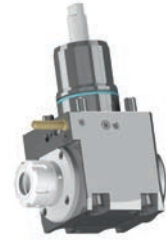
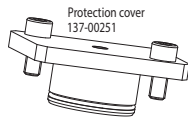
Protection cover
137-00250

CONNECTION

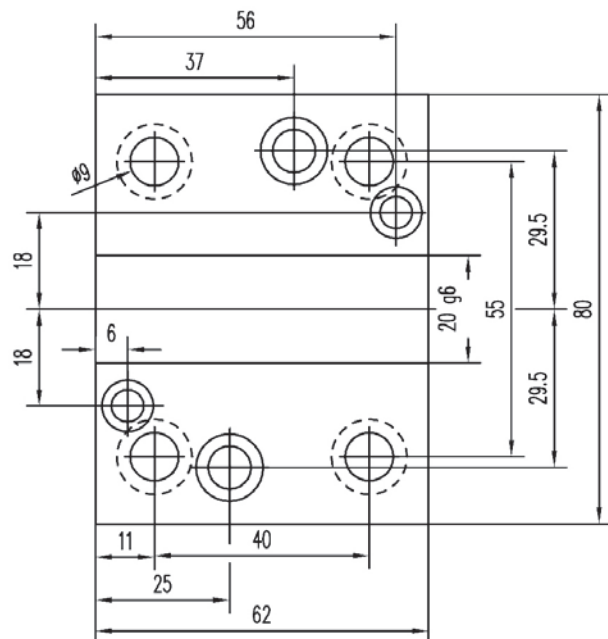
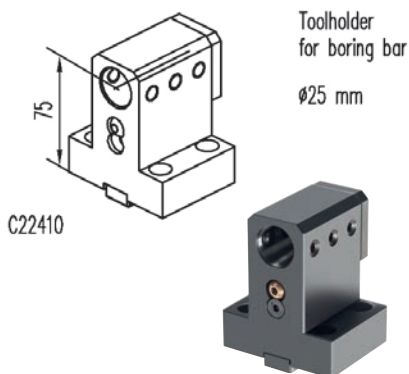


**NAKAMURA TOME
(BMT44)**

NTY3/ SUPER NTMX/NTMXL / WT100
MURATA MURATEC MT100

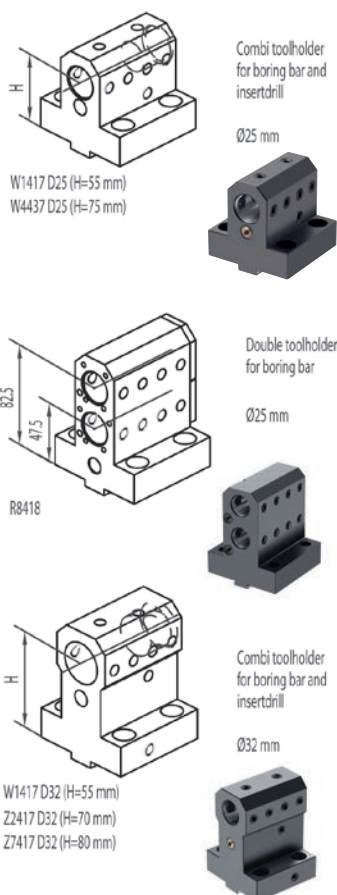
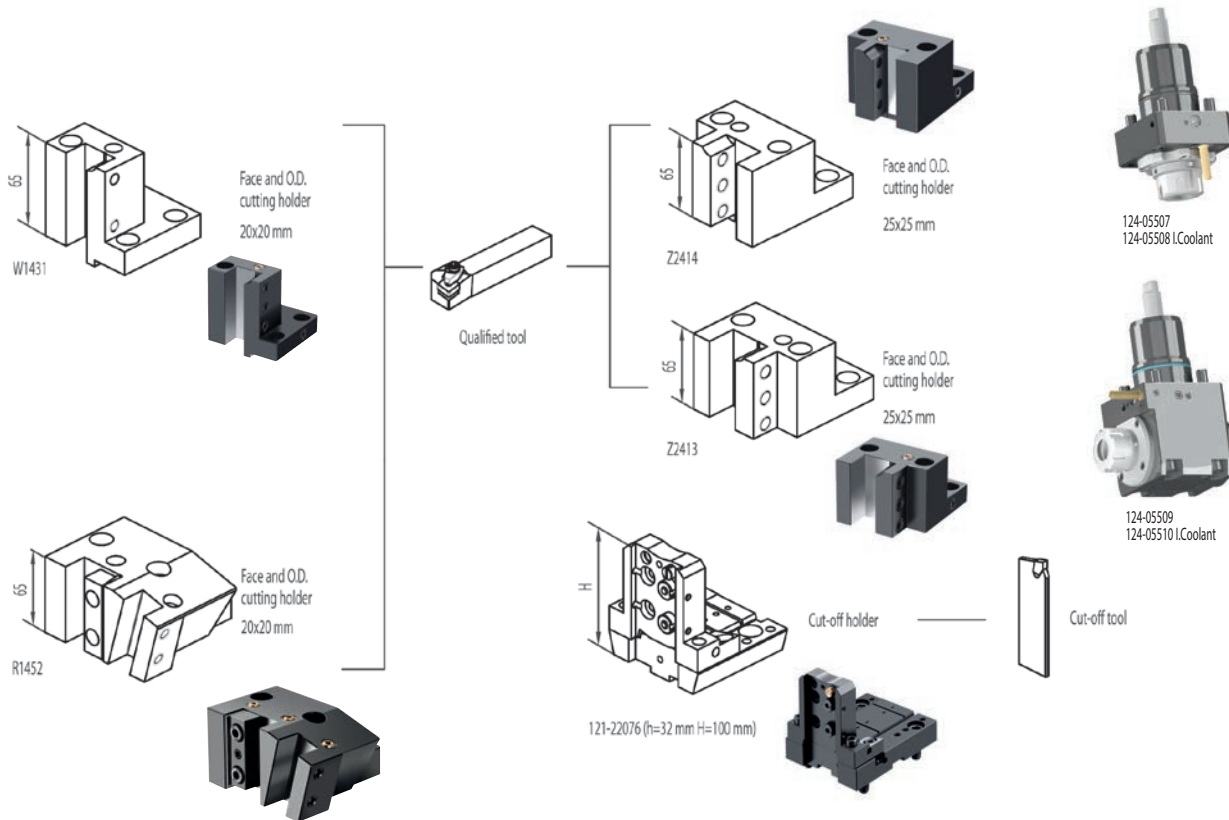


CONNECTION

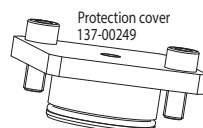
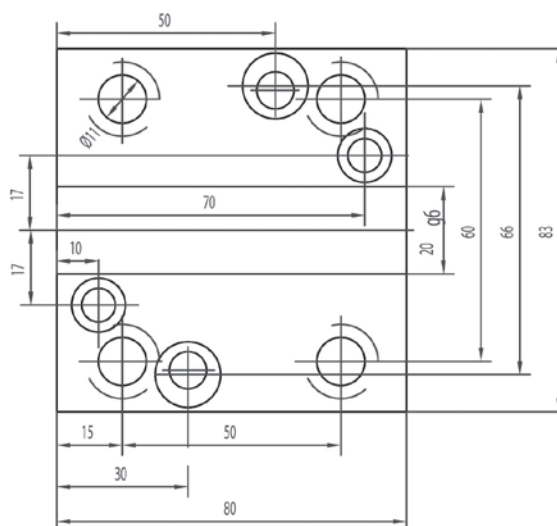


NAKAMURA TOME (BMT55)

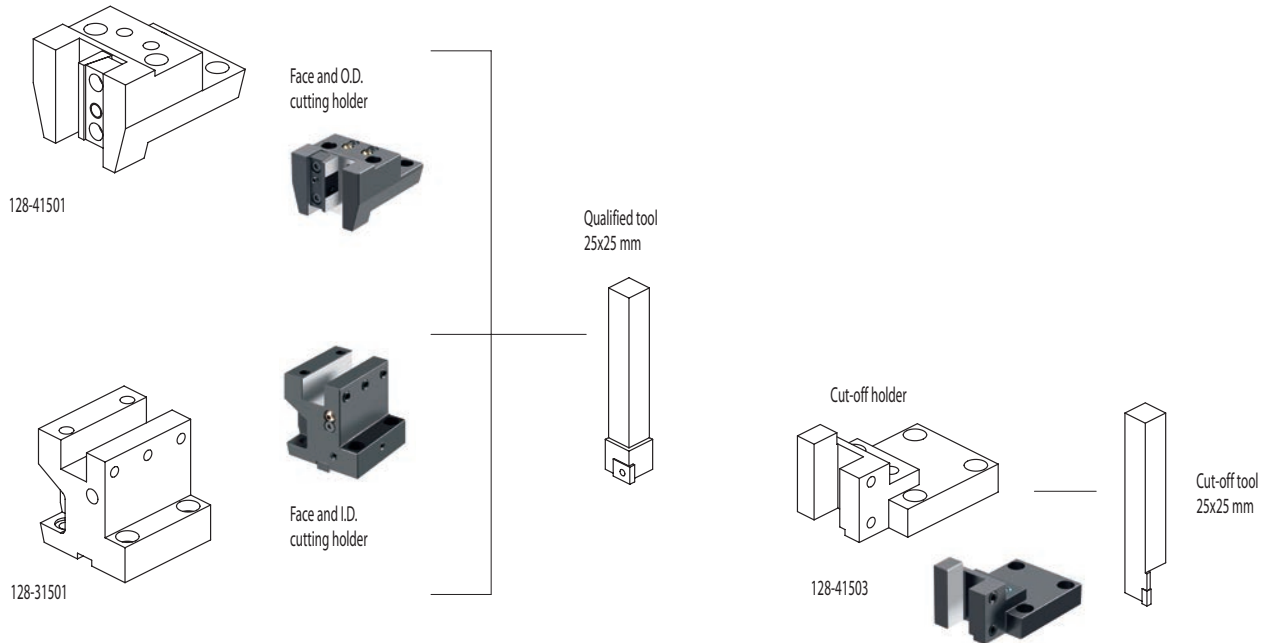
AS-200 / NTM 3 / NTY3-250
 SC-150M / SC-200MY / SC-250M / SuperNTJ
 TMC-20 II M/ML / TW-10 / TW-20
 WT-20 II M/MY / WT150 / WT-250
 WTS-150 / WTW-150 / WY-250
 CMZ TX52/66



CONNECTION

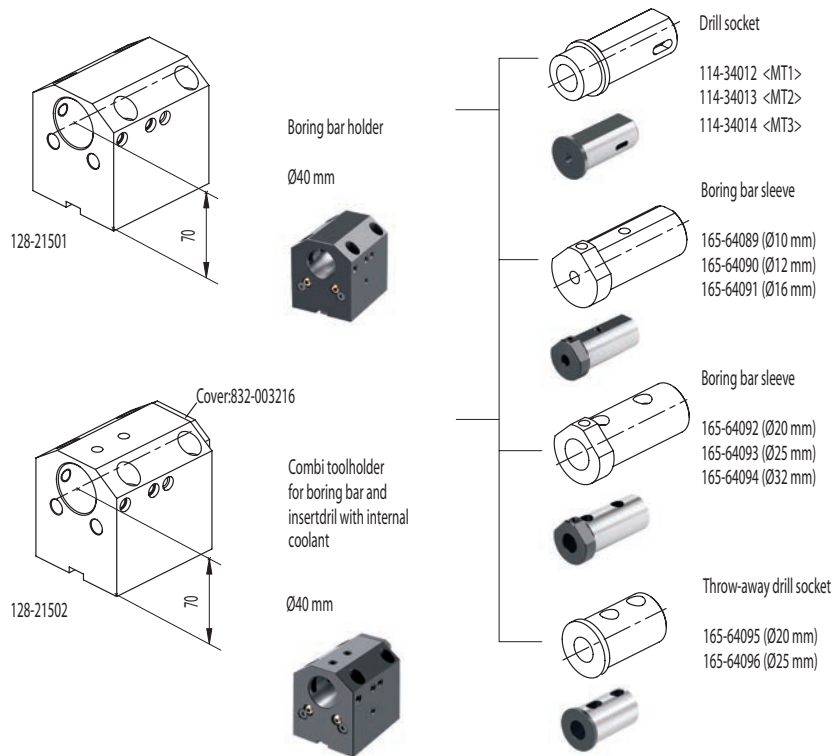


DOOSAN PUMA 230M/MS
240M/MS

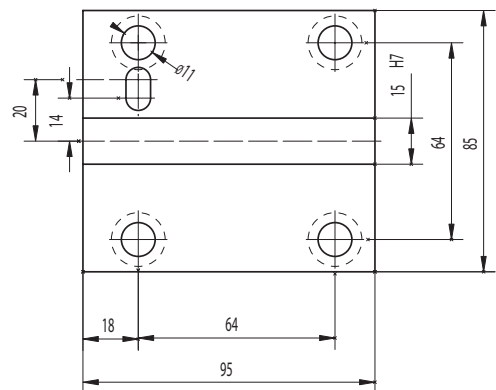


11

ACCESSORIES

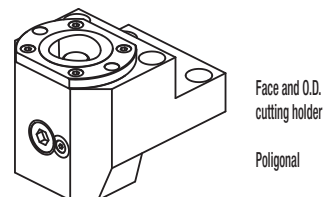
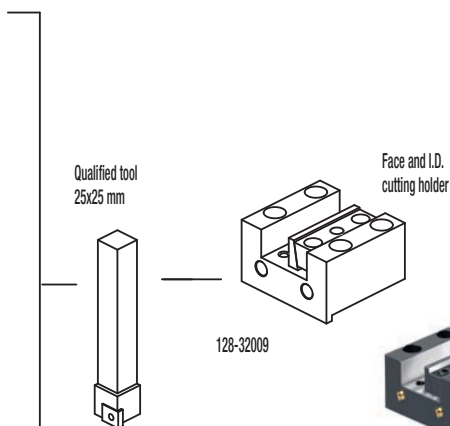
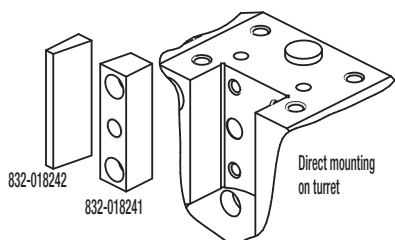


CONNECTION



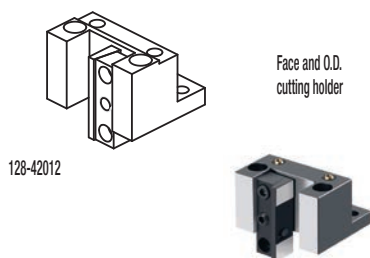
DOOSAN PUMA

230S
240S
LYNX210

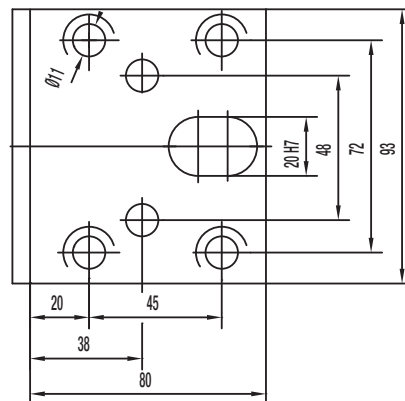


128-12073 (C40)
128-12063 (C50)

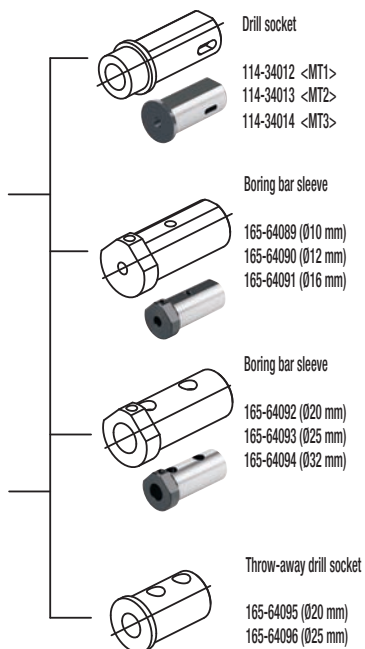
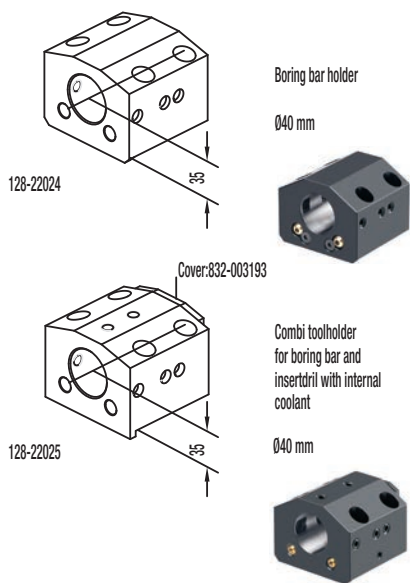
NEWS



CONNECTION



ACCESSORIES

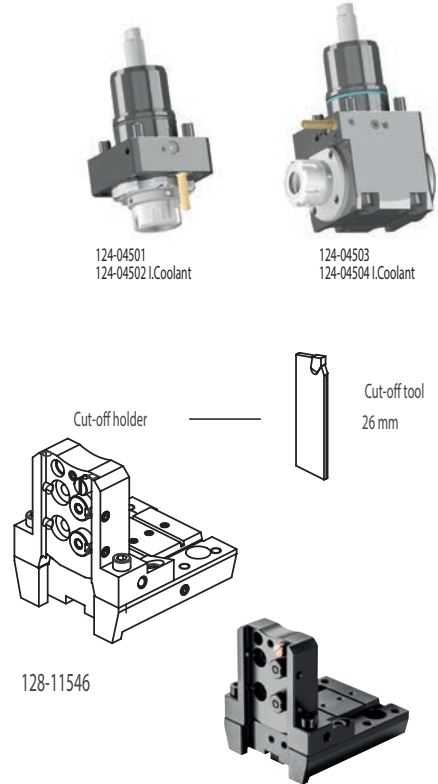
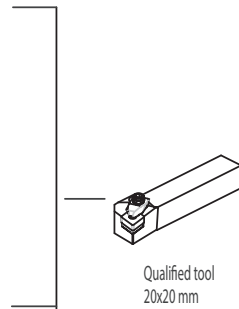
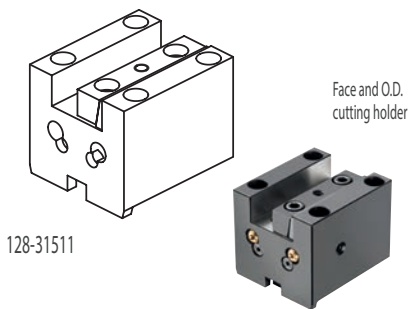
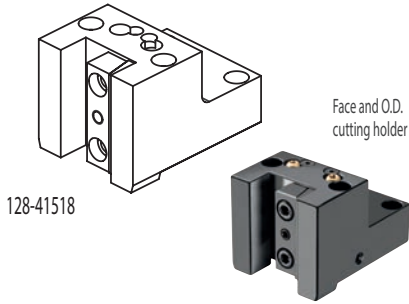


DOOSAN
(BMT45)

LYNX 2100MA/220 (LMSA,LMSC)
220 (LSYA,LSYC), 220 (M,LM)
LYNX 220 (MA,LMA,MC,LMC)
220 (YA,YC,LYA,LYC)
PUMA MX1600 (T,ST)

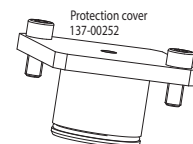
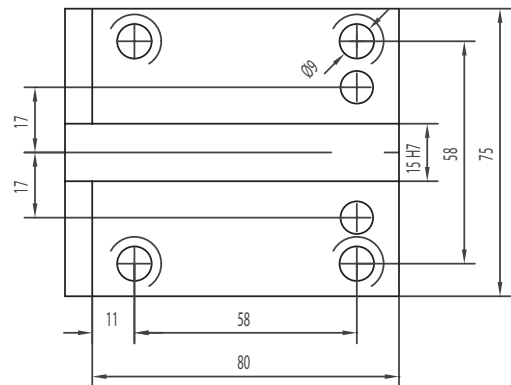
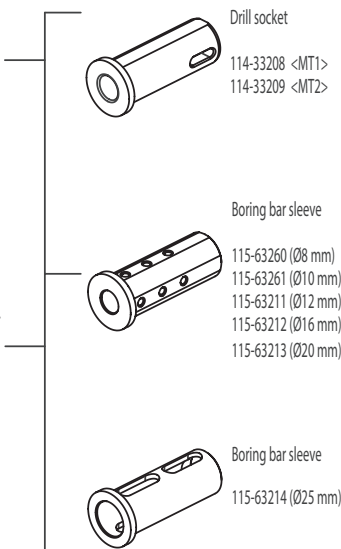
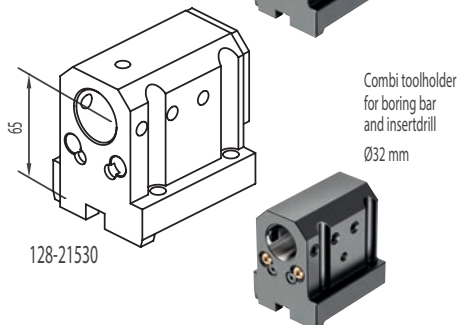
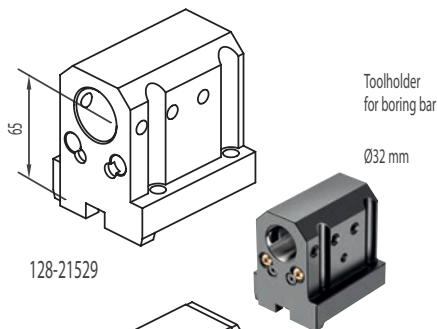
**HARDINGE
SMEC**

BMT45
PL1600 (M,CM)



ACCESSORIES

CONNECTION

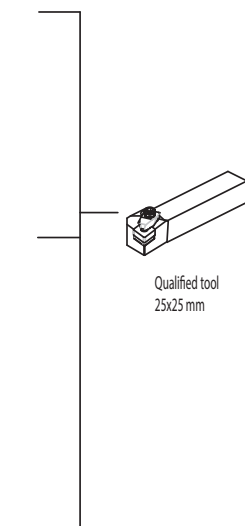
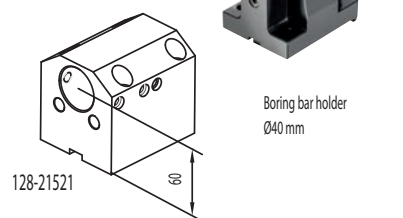
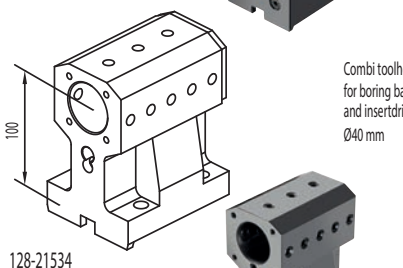
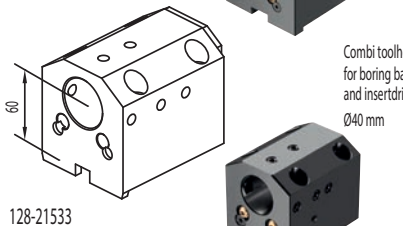
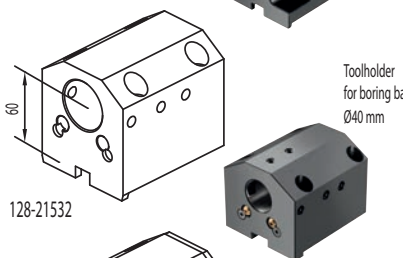
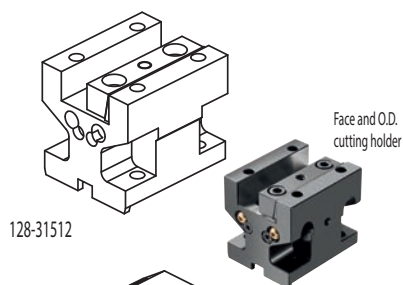
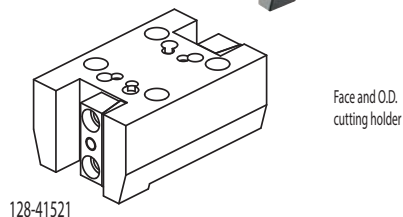
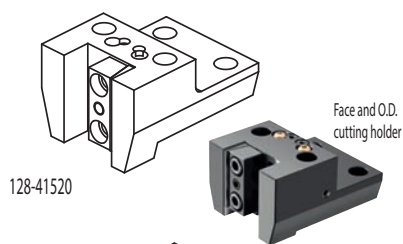


DOOSAN (BMT55)

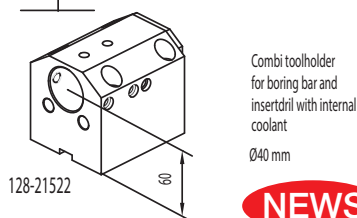
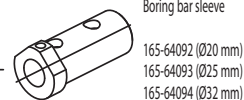
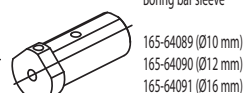
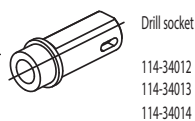
LYNX 300 (M)
 PUMA 1500/2000/2500 (M,S,Y)
 PUMA 2100 (Y,LY,SY,LSY)
 PUMA 2100/2600/3100 M/Y/MS/SY
 PUMA 230/240/280 (M,LM,S)
 PUMA GT2100M / PUMA H250TM
 PUMA MX2100 (ST/LST)
 PUMA TL2000/2500 (M,LM)

HARDINGE
HWACHEON
SMEC/SAMSUNG
HYUNDAI WIA
VICTOR

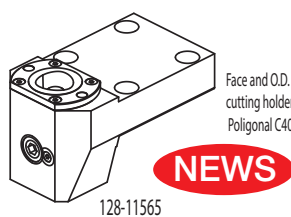
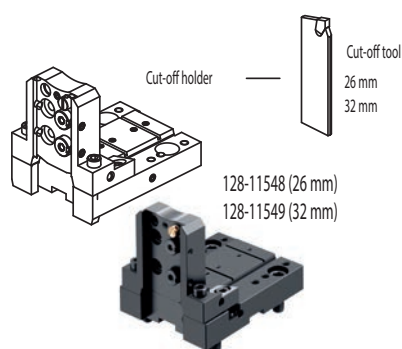
BMT55
 CUTEX-160
 SL 20MC
 SKT-180TTSY
 VTURN-A16/A20 (YSCM)



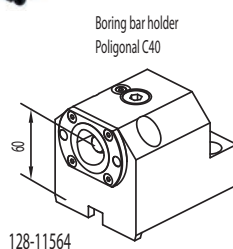
ACCESSORIES



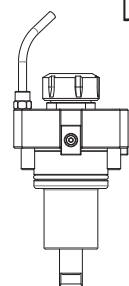
NEWS



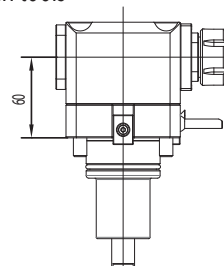
NEWS



Driven tools



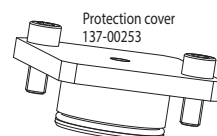
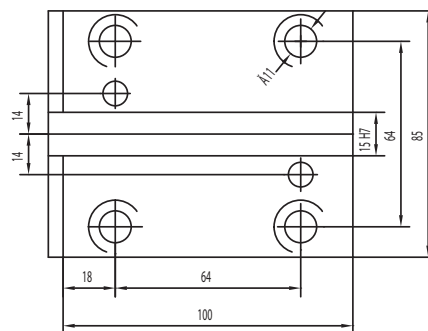
124-06509 i.coolant



124-06510 i.coolant



CONNECTION

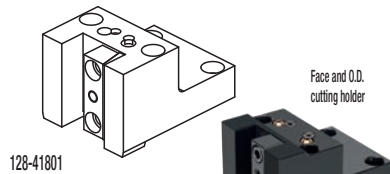


DOOSAN PUMA (BMT65)

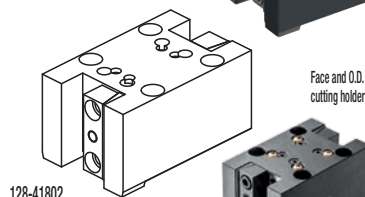
PUMA 2100/2600 (M,LM,MS,LMS)
 PUMA 2100/2600 (Y,LY,SY,LSY)
 PUMA 300 (M,MS,MB,MC)
 PUMA 3100 (M,LM,LY,XLM,XLY,ULM,ULY)
 PUMA MX2000/2500
 PUMA MX2600 (T,ST)
 PUMA TT2500 (MS/SY)
 PUMA V400 (M)
 PUMA VT450 (M,2SP)

HWACHEON
 CUTEX-240
 HI-TECH200/T2-Series
 HI-TECH300/400
 VT-450
HYUNDAI WIA
 L2100SY
 SKT-200/250TTSY
 SKT-250/300 (L,M)
 SKT-250/300 (MS)

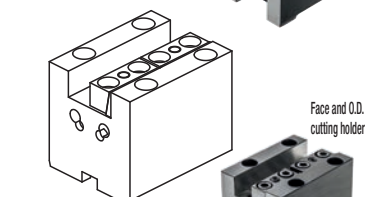
MAXSIN
 BMT65
SMEC/SAMSUNG
 SL25 / SL35
TONGTAI
 TMT2000
VICTOR
 VTURN-A26 (YSCM)
HAAS
 ST-20 - ST-25 - ST-30
 ST-35 - DS-30Y
 ST-20Y - ST-25Y - ST-30Y - ST-35Y



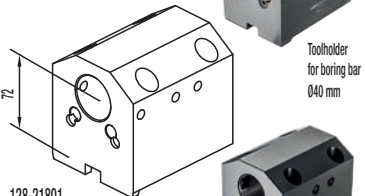
Face and O.D. cutting holder



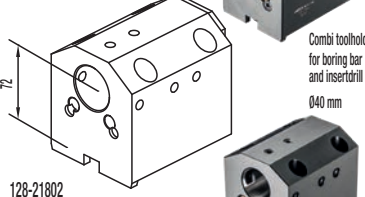
Face and O.D. cutting holder



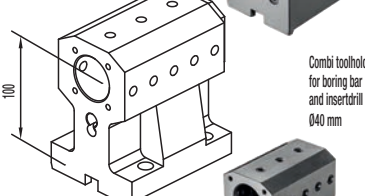
Face and O.D. cutting holder



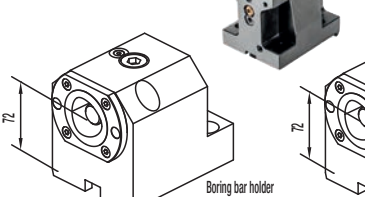
Toolholder for boring bar 040 mm



Combi toolholder for boring bar and insertdrill 040 mm

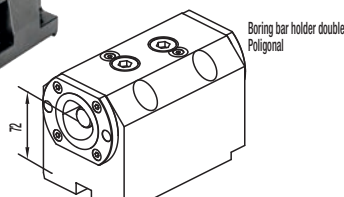


Combi toolholder for boring bar and insertdrill 040 mm



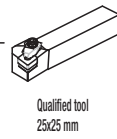
128-11817 (C40)
 128-11805 (C50)

NEWS

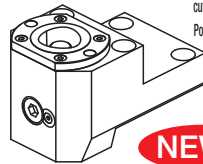


128-11818 (C40)
 128-11807 (C50)

NEWS

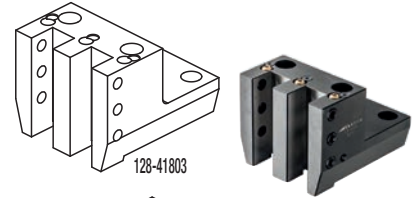


Qualified tool 25x25 mm

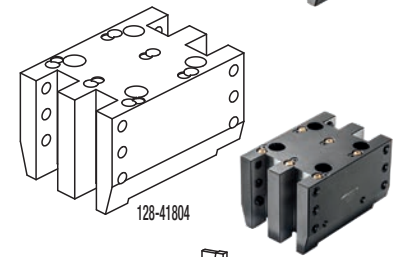


128-11819 (C40)
 128-11809 (C50)

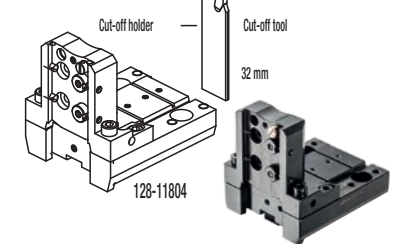
NEWS



128-41803



128-41804



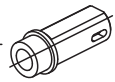
128-11804

Cut-off holder

Cut-off tool

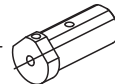
32 mm

ACCESSORIES



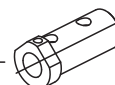
Drill socket

114-34012 <MT1>
 114-34013 <MT2>
 114-34014 <MT3>



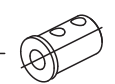
Boring bar sleeve

165-64089 (010 mm)
 165-64090 (012 mm)
 165-64091 (016 mm)



Boring bar sleeve

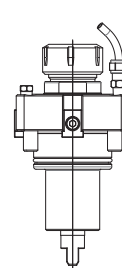
165-64092 (020 mm)
 165-64093 (025 mm)
 165-64094 (032 mm)



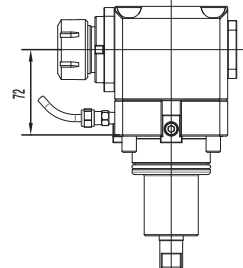
Throw-away drill socket

165-64095 (020 mm)
 165-64096 (025 mm)
 165-64097 (032 mm)

Driven tools



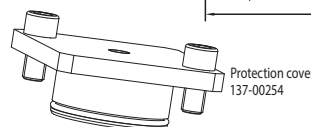
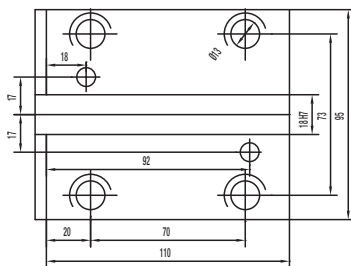
124-06501
 124-06508 I.Coolant



124-06502
 124-06512 I.Coolant



CONNECTION



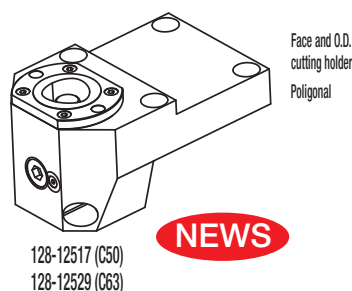
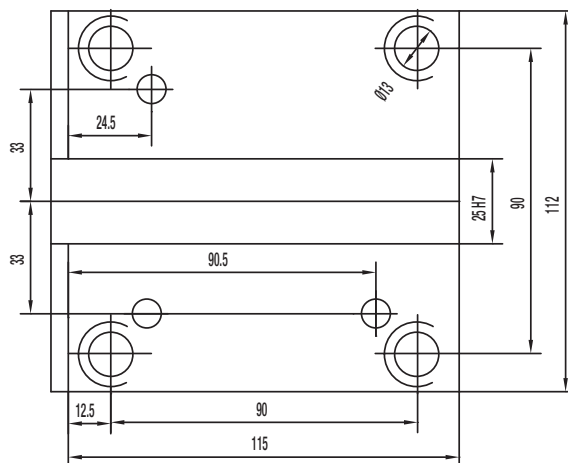
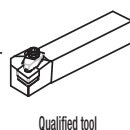
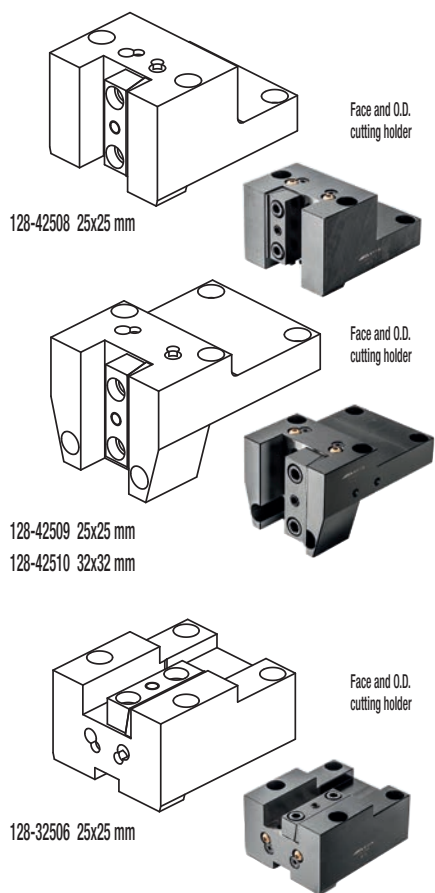
Protection cover 137-00254

DOOSAN PUMA

400
480M/LM/XLM
VT 750M/TM

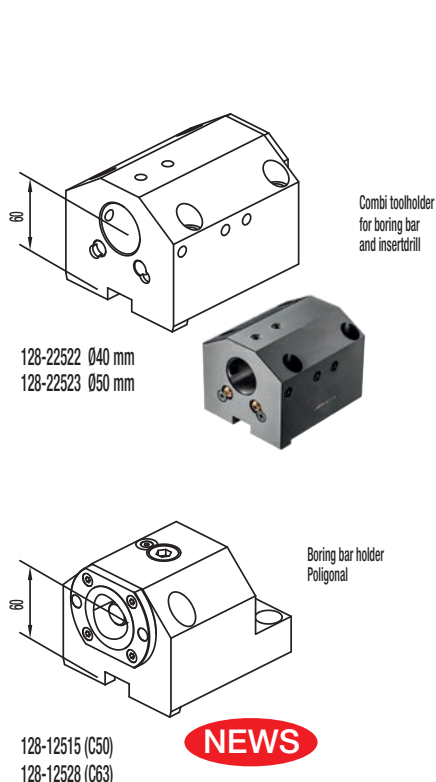
(BMT75)

CONNECTION

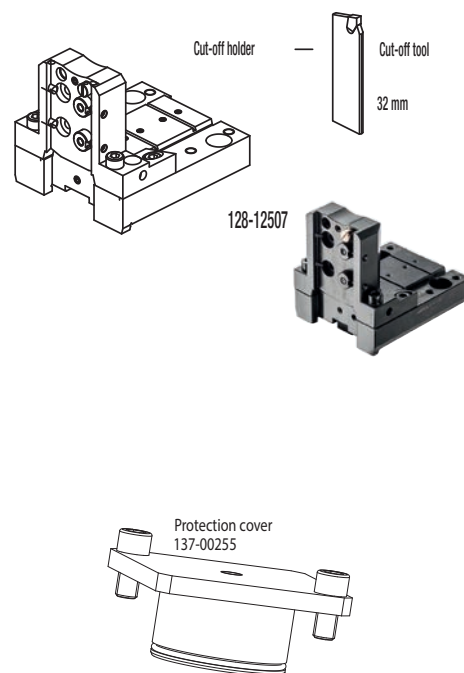
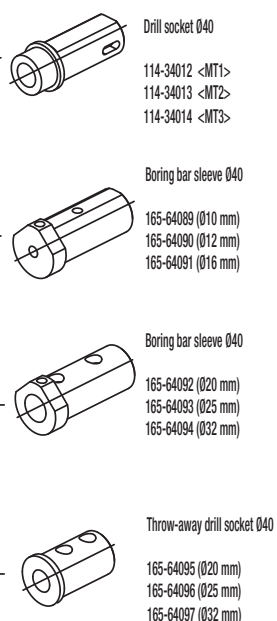


NEWS

ACCESSORIES

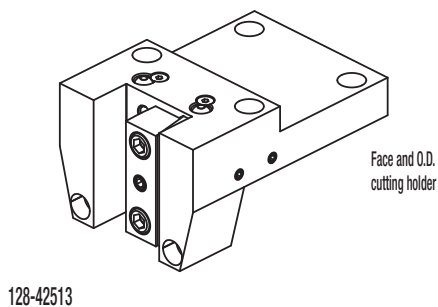


NEWS

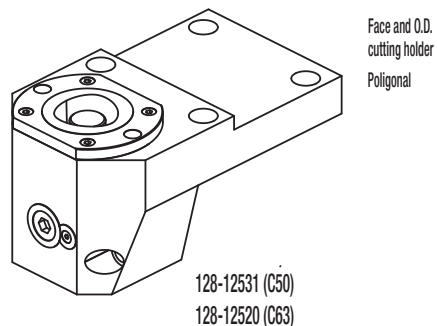


**DOOSAN PUMA
(BMT85)**

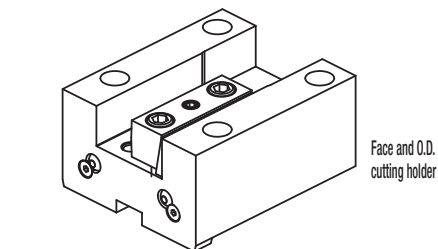
600M/LM
700M/LM
800M/LM
VT900M/TM
VT1100M



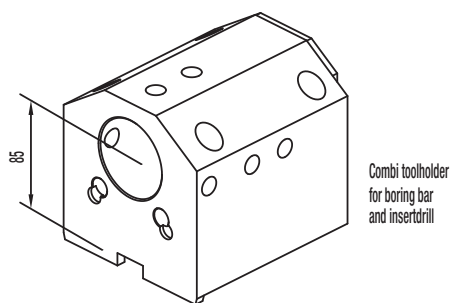
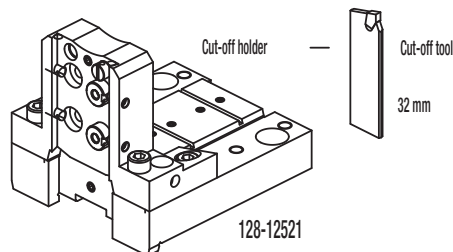
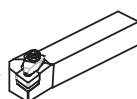
Face and O.D. cutting holder



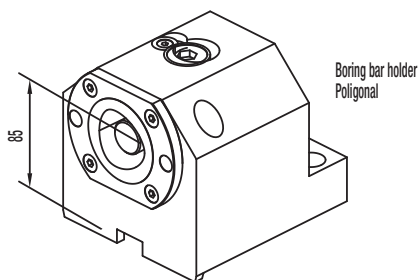
Face and O.D. cutting holder
Polygonal



Face and O.D. cutting holder

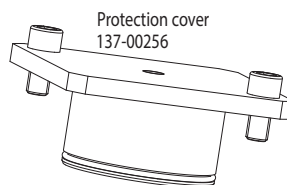
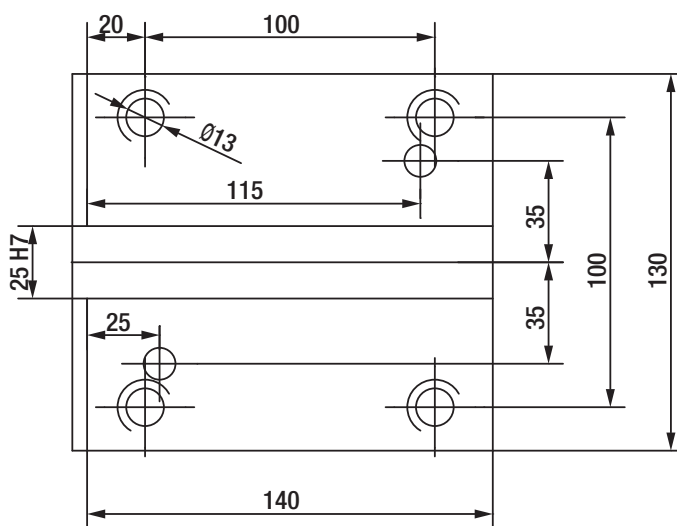


Combi toolholder for boring bar and insertdrill

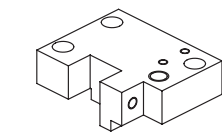


Boring bar holder
Polygonal

CONNECTION

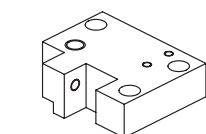


MAZAK NEXUS SQT100/150



123-33801

Face and O.D. cutting holder



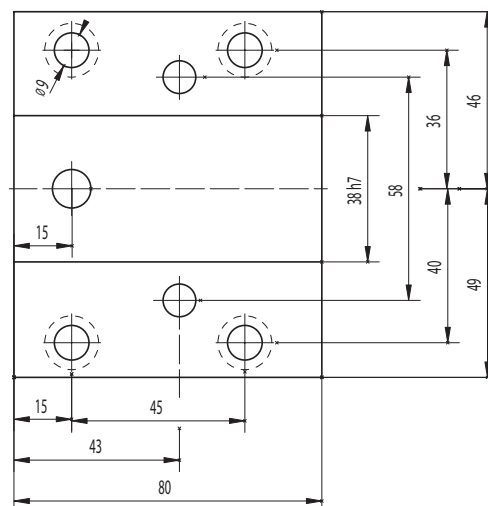
123-33802

Face and O.D. cutting holder

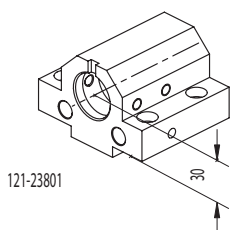


Qualified tool
20x20 mm

CONNECTION



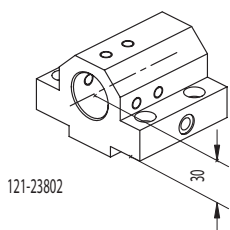
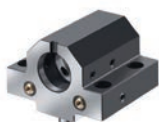
ACCESSORIES



121-23801

Boring bar holder

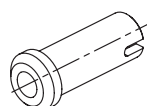
Ø32 mm



121-23802

Toolholder for insert drill with internal coolant

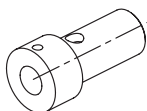
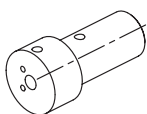
Ø32 mm



Drill socket
114-33216 <MT2>



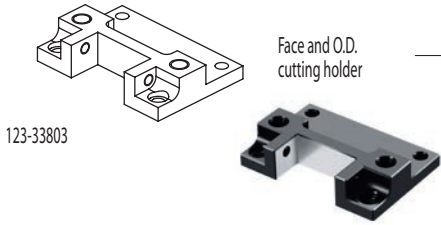
Boring bar sleeve
165-63241 (Ø8 mm)
165-63242 (Ø10 mm)
165-63243 (Ø12 mm)
165-63244 (Ø16 mm)



Boring bar sleeve
165-63245 (Ø20 mm)
165-63246 (Ø25 mm)



MAZAK NEXUS QTN200/250

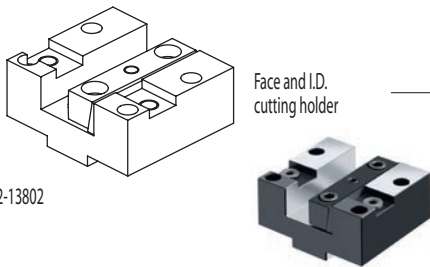


Face and O.D. cutting holder

123-33803



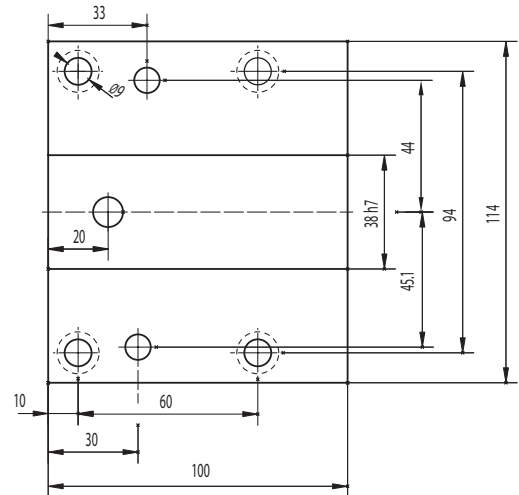
Qualified tool
25x25 mm



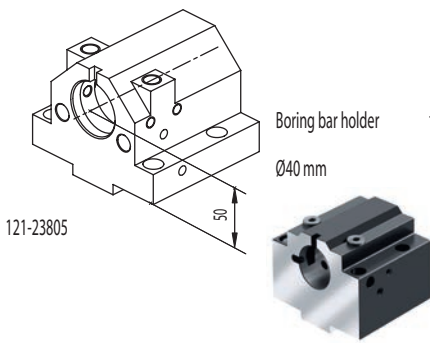
Face and I.D. cutting holder

122-13802

CONNECTION

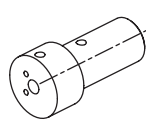


ACCESSORIES



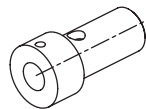
Boring bar holder
Ø40 mm

121-23805



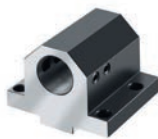
Boring bar sleeve

- 165-64114 (Ø8 mm)
- 165-64115 (Ø10 mm)
- 165-64116 (Ø12 mm)
- 165-64117 (Ø16 mm)
- 165-64118 (Ø20 mm)



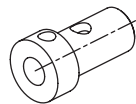
Boring bar sleeve

- 165-64119 (Ø25 mm)
- 165-64120 (Ø32 mm)



Toolholder for insert drill with internal coolant
Ø40 mm

121-23806



Throw-away drill socket

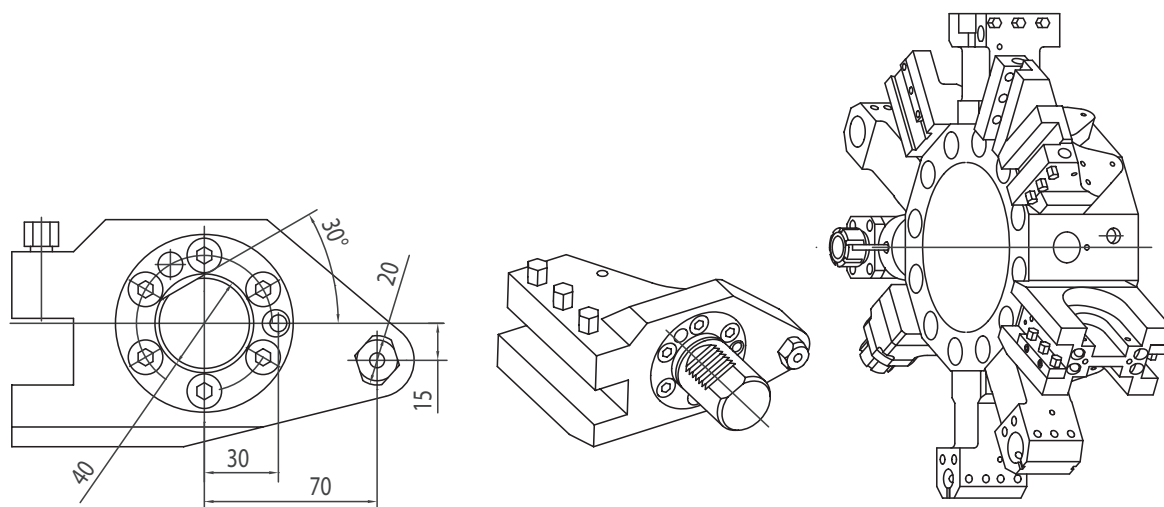
- 165-64121 (Ø20 mm)
- 165-64122 (Ø25 mm)
- 165-64123 (Ø32 mm)

MAZAK SQT

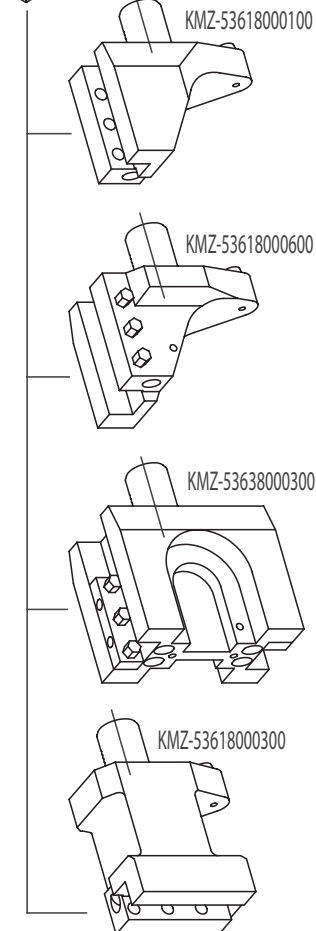
SQT 15, SQT 18 M / MS - 12 Stations
SQT 200, SQT 250 M / MS - 12 Stations

MAZAK QTN (VDI40)

QTN 200, QTN 250 M / MB / MS / MY / MSY - 12 Stations



Qualified tool
25x25 mm



ACCESSORIES

Drill socket
114-34015 <MT1>
114-34016 <MT2>
114-34017 <MT3>



Boring bar sleeve
165-64114 (Ø8 mm)
165-64115 (Ø10 mm)
165-64116 (Ø12 mm)
165-64117 (Ø16 mm)
165-64118 (Ø20 mm)



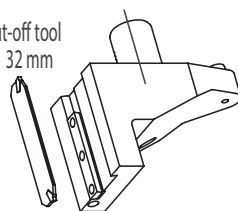
Boring bar sleeve
165-64119 (Ø25 mm)
165-64120 (Ø32 mm)



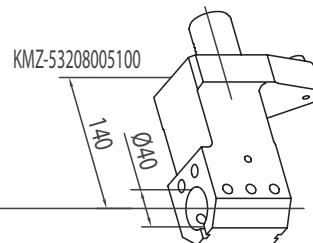
Throw-away drill socket
165-64121 (Ø20 mm)
165-64122 (Ø25 mm)
165-64123 (Ø32 mm)



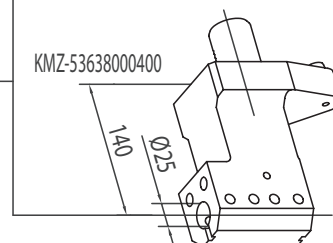
Cut-off tool
32 mm



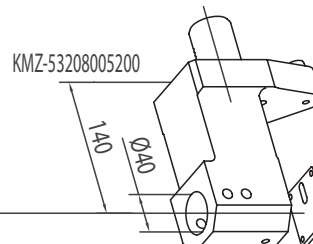
KMZ-53618000400



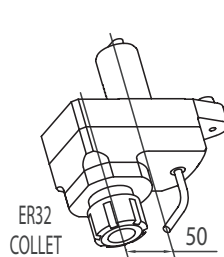
KMZ-53208005100



KMZ-53638000400

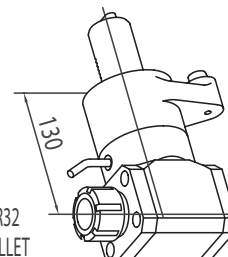


KMZ-53208005200



ER32 COLLET

116-54019



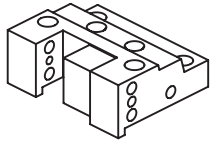
ER32 COLLET

116-54020



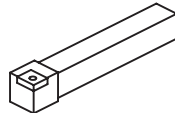
HAAS

SL20 - SL30
ST-20 - ST-25
ST-30 - ST-35
DS-30

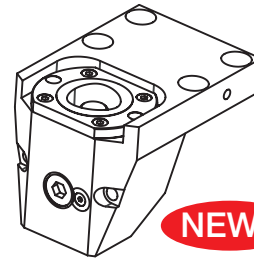


128-42011

Face and O.D. cutting holder



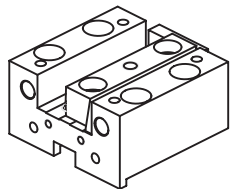
Qualified tool
25x25 mm



128-12059

Face and O.D. cutting holder
Poligonal C50

NEWS

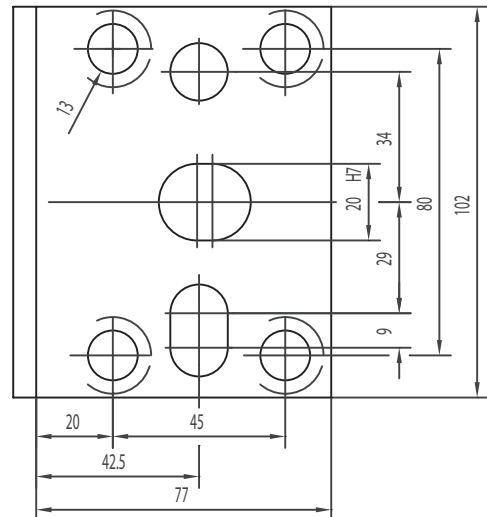


128-32001

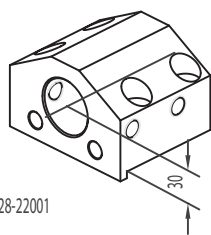
Face and I.D. cutting holder



CONNECTION

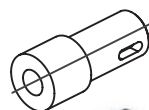


ACCESSORIES



128-22001

Toolholder for boring bar



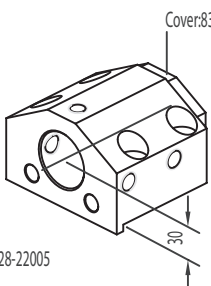
Drill socket

- 165-64010 <MT1>
- 165-64011 <MT2>
- 165-64012 <MT3>



Boring bar sleeve and throw-away drill socket

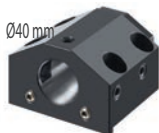
- 165-64135 (Ø8 mm)
- 165-64013 (Ø10 mm)
- 165-64014 (Ø12 mm)
- 165-64015 (Ø16 mm)
- 165-64016 (Ø20 mm)



128-22005

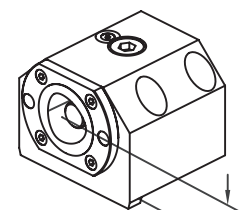
Cover:832-003056

Combi toolholder for boring bar and insertdrill with internal coolant



Boring bar sleeve and throw-away drill socket

- 165-64017 (Ø25 mm)
- 165-64018 (Ø32 mm)



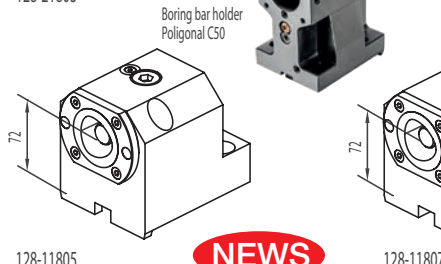
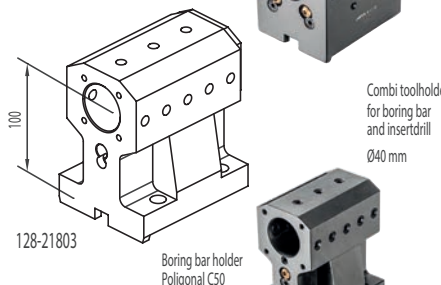
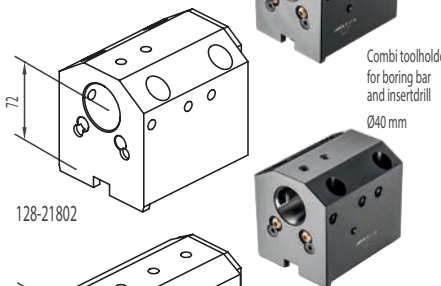
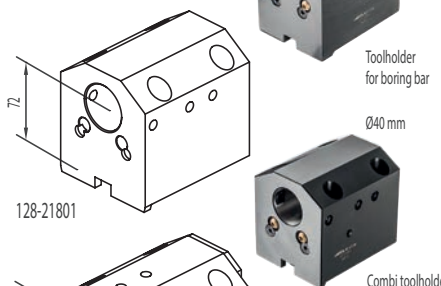
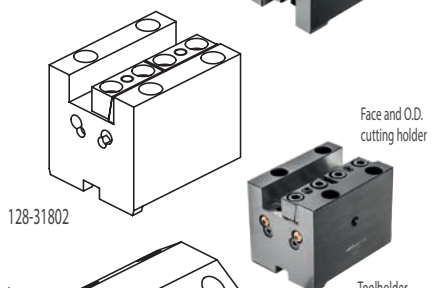
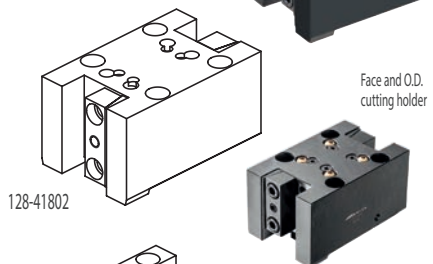
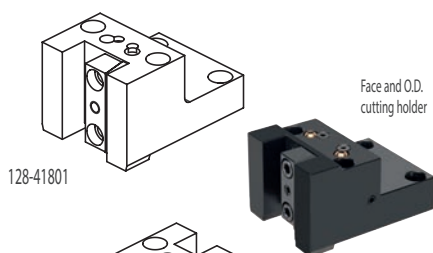
128-12057

Boring bar holder
Poligonal C50

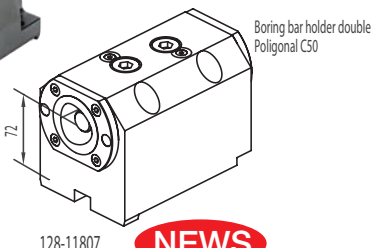
NEWS

HAAS (BMT65)

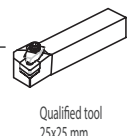
- ST-20
- ST-25
- ST-30
- ST-35
- DS-30



NEWS



NEWS

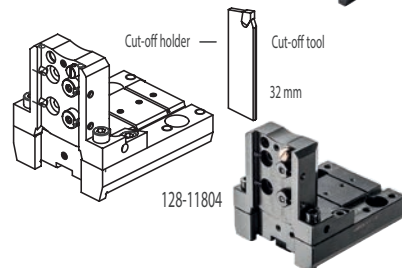
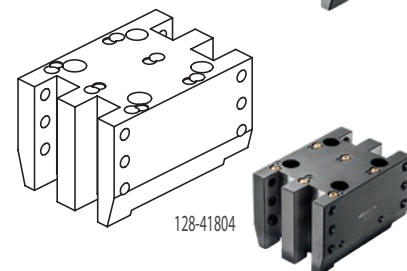
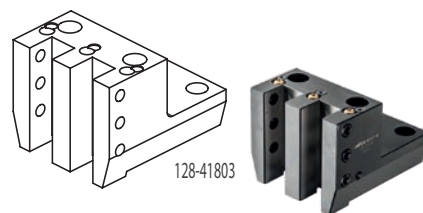


Face and O.D. cutting holder

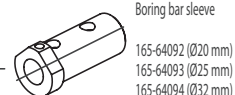
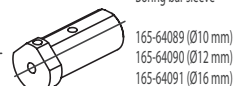
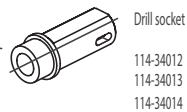
Face and O.D. cutting holder

Face and O.D. cutting holder Polygonal CS0

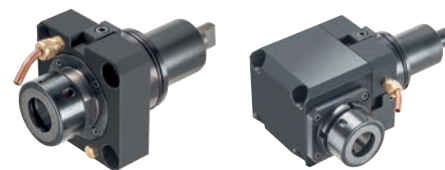
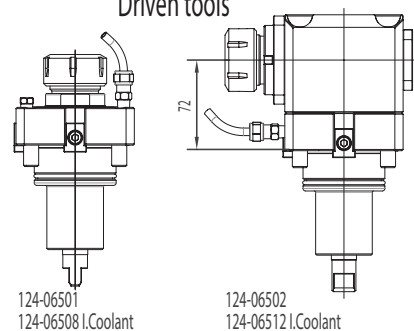
NEWS



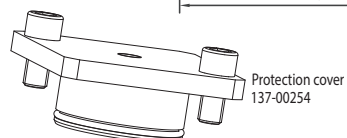
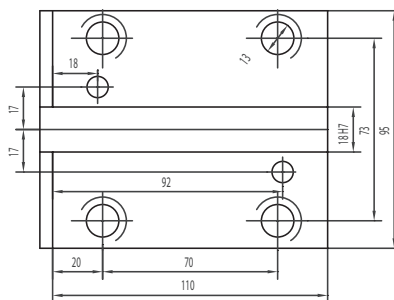
ACCESSORIES



Driven tools

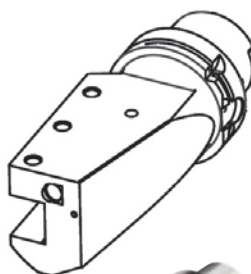
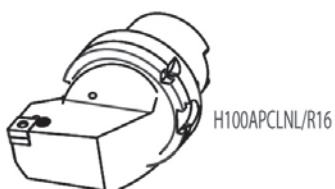


CONNECTION



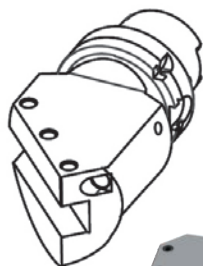
WFL
(HSK100) MILLTURN 120

ICTM STANDARD



Axial toolholder long

- 142-21604 (25x25 mm, left)
- 142-11603 (25x25 mm, right)
- 142-21603 (32x32 mm, left)
- 142-11604 (32x32 mm, right)

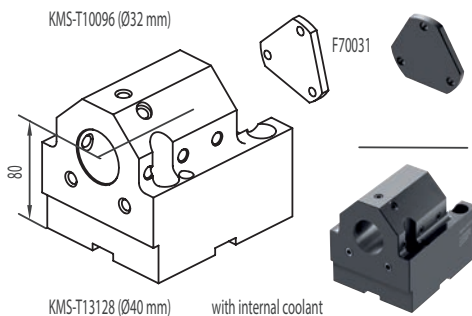
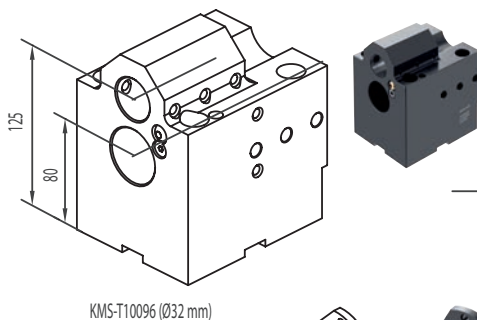
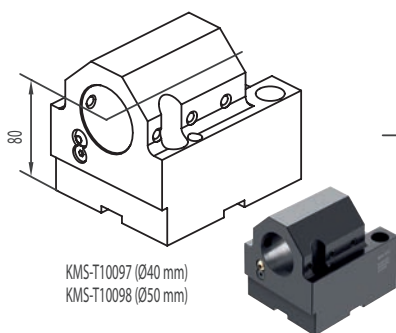
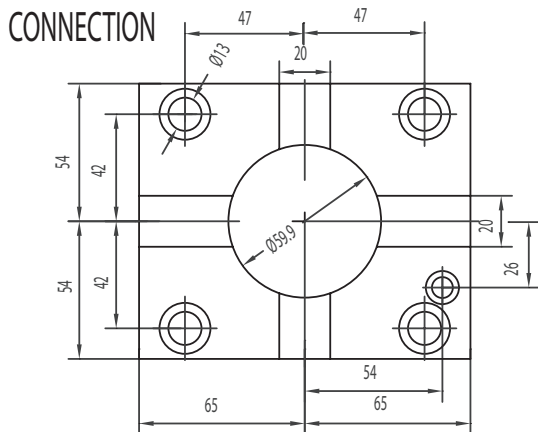
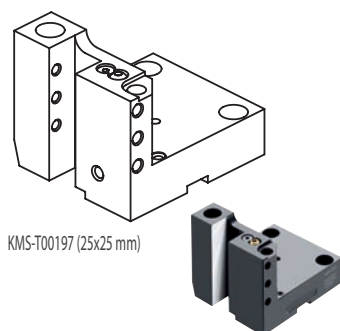
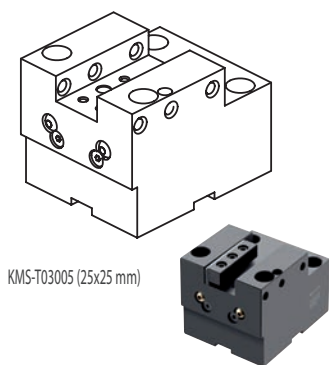
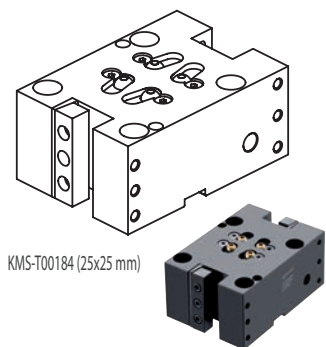
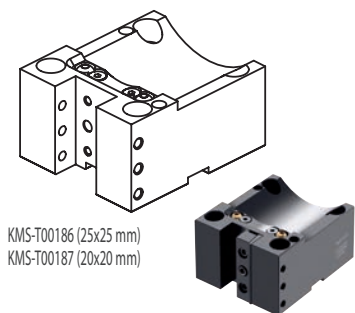
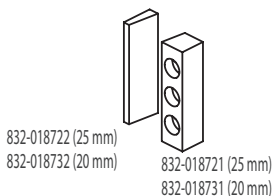


Toolholder 45°
25x25 mm
141-11601

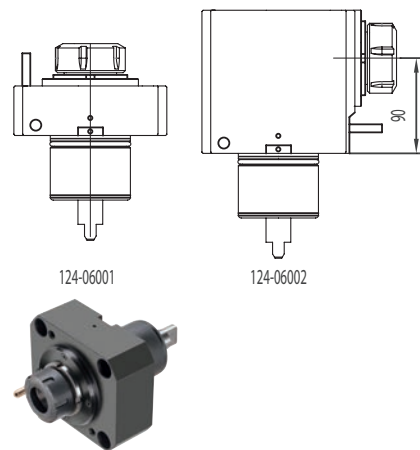


GOODWAY (BMT60)

GS2000 SERIES
GS3000 SERIES
GS4000 SERIES



Driven tools



ACCESSORIES

- KMS-T20098-A (Ø32 mm)
- KMS-T20096-A (Ø25 mm)
- KMS-T20094-A (Ø20 mm)
- KMS-T20092-A (Ø16 mm)
- KMS-T20090-A (Ø12 mm)
- KMS-T20088-A (Ø10 mm)
- KMS-T20086-A (Ø8 mm)

- KMS-T20196-A (Ø20 mm)
- KMS-T20194-A (Ø16 mm)
- KMS-T20110-A (Ø12 mm)
- KMS-T20108-A (Ø10 mm)
- KMS-T20106-A (Ø8 mm)

- KMS-T22042-A (MT3)
- KMS-T22044-A (MT4)
- KMS-T22046-A (MT2)
- KMS-T22066-A (MT1)

- KMS-T20122-A (Ø25 mm)
- KMS-T20120-A (Ø20 mm)
- KMS-T20118-A (Ø16 mm)
- KMS-T20116-A (Ø12 mm)
- KMS-T20114-A (Ø10 mm)
- KMS-T20112-A (Ø8 mm)

- KMS-T20100-A (Ø32 mm)
- KMS-T20102-A (Ø25 mm)
- KMS-T20104-A (Ø20 mm)
- KMS-T20190-A (Ø16 mm)