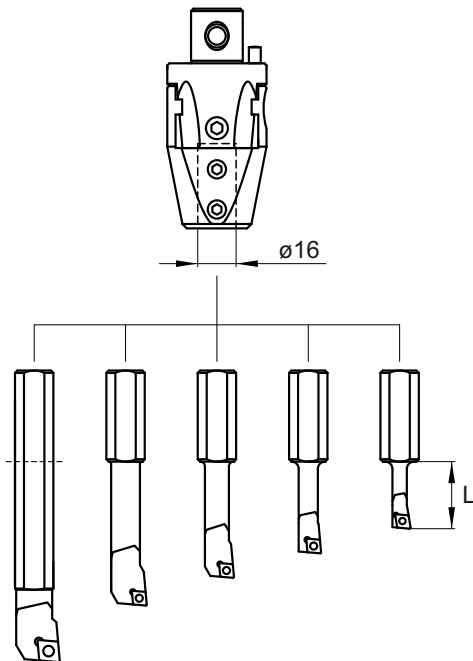


INDEXABLE BORING BARS FOR A 042 016



RHOMBIC INSERT

Bore Range		L	Product Number	Insert	Torx Screw	Torx Key
Min	Max					
6	24	20	S05/16 SELPR 04	EP□□ 0401□□ L	TT 100	TK 06
8	26	25	S06/16 SELPR 04	EP□□ 0401□□ L	TT 102	TK 06
8	26	25	S06/16 SELPR 05	EP□□ 0502□□	TT 106	TK 07
10	28	35	S08/16 SCLCR 06	CC□□ 0602□□	TT 110	TK 08
13	31	45	S10/16 SCLCR 06	CC□□ 0602□□	TT 400	TK 08
16	34	57	S12/16 SCLCR 06	CC□□ 0602□□	TT 400	TK 08
20	38	73	S16/16 SCLCR 09	CC□□ 09T3□□	TT 409	TK 15

TRIANGULAR INSERT

Bore Range		L	Product Number	Insert	Torx Screw	Torx Key
Min	Max					
8	26	25	S06/16 STFCR 06	TC□□ 06T1□□	TT 104	TK 06
10	28	35	S08/16 STFCR 06	TC□□ 06T1□□	TT 104	TK 06
13	31	45	S10/16 STFCR 09	TC□□ 0902□□	TT 108	TK 07
16	34	57	S12/16 STFCR 09	TC□□ 0902□□	TT 108	TK 07
20	38	73	S16/16 STFCR 09	TC□□ 0902□□	TT 108	TK 07
20	38	73	S16/16 STFCR 16	TC□□ 16T3□□	TT 409	TK 15

☐ NOMENCLATURE FOR INSERT SELECTION IN PAGE 53

☐ TORX SCREW DETAILS IN PAGE 52