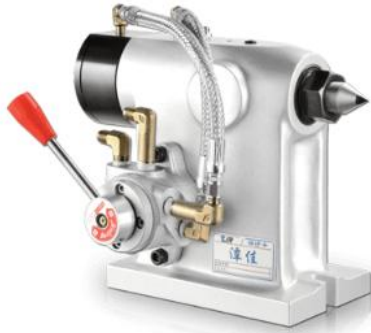


## HTTJ Series(Hydraulic)

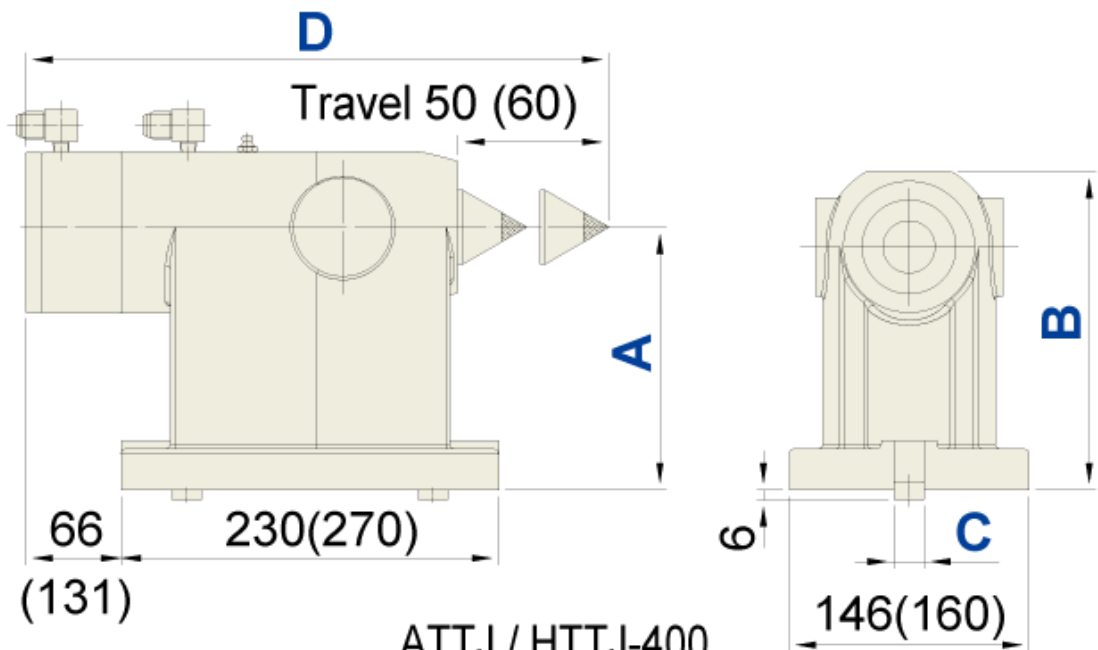
Manual tailstock with Hydraulic switching valve

HTTJ-210 ~ 400



**HTTJ- 320**

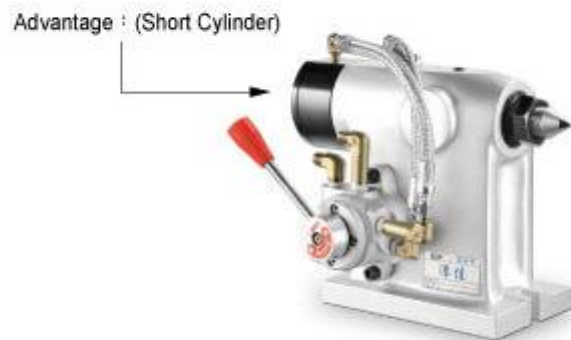
- └ The Corresponding Table Diameter
- └ TJ: Fixed Taper Manual Tailstock
- └ TTJ: Replaceable Taper Manual Tailstock
- └ A: Pneumatic Switching Valve
- └ H: Hydraulic Switching Valve



\*( ): the dimension of Model ATTJ / HTTJ-400  
ATJ / HTJ - 400

Model	A	B	C	D	Weight Kg
HTJ / HTTJ-210	160	206	18	363/376	25
HTJ / HTTJ-255	160	206	18	363/376	25
HTJ / HTTJ-320	210	256	18	363/376	29
HTJ / HTTJ-400	255	310	18	496/495	50

( For any model exceeding 170, **MT4<sup>#</sup>** is employed to provide **higher rigidity**)



▲ **HTTJ-320**  
( with **Hydraulic**  
switching valve )