

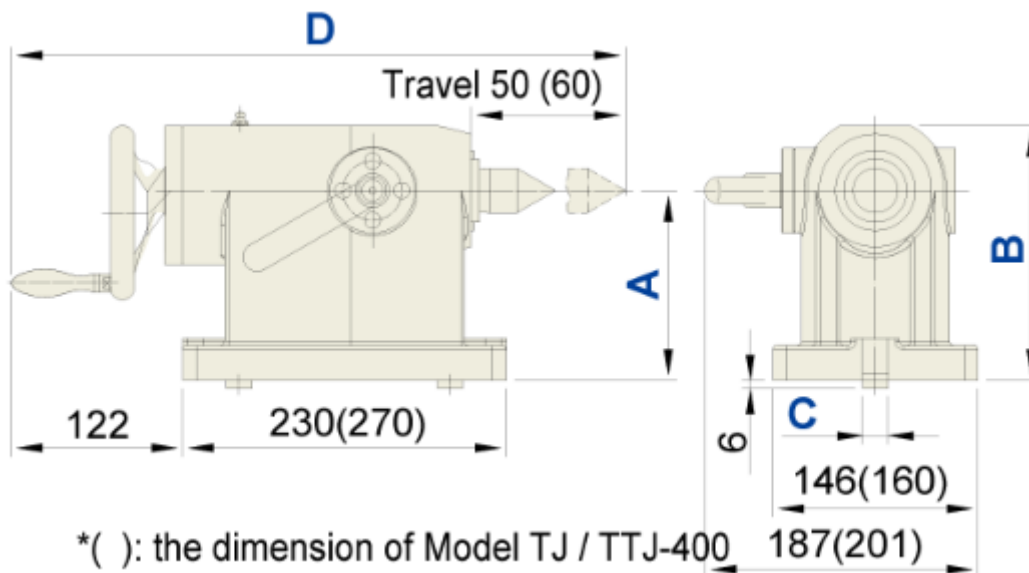
### TTJ Series(Manual Tailstock)

TTJ-125 ~ 400



**TJ-210**

- The Corresponding Table Diameter
- TJ: Fixed Taper Manual Tailstock
- TTJ: Replaceable Taper Manual Tailstock



Model	A	B	C	D	Weight Kg
TJ / TTJ-125	110	156	14	423/435.5	21.май
TJ / TTJ-170	135	181	18	423/435.5	23
TJ / TTJ-210	160	206	18	423/435.5	25
TJ / TTJ-255	160	206	18	423/435.5	25
TJ / TTJ-320	210	256	18	423/435.5	29
TJ / TTJ-400	255	310	18	487/503.5	48

( For any model exceeding 170, **MT4<sup>#</sup>** is employed to provide **higher rigidity**)



▲ **TJ-210**

( with Fixed Taper )



▲ **TTJ-210**

( with Replaceable  
Taper )