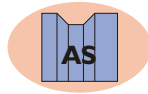


ARBORS FOR BORING HEADS

DIN 69871

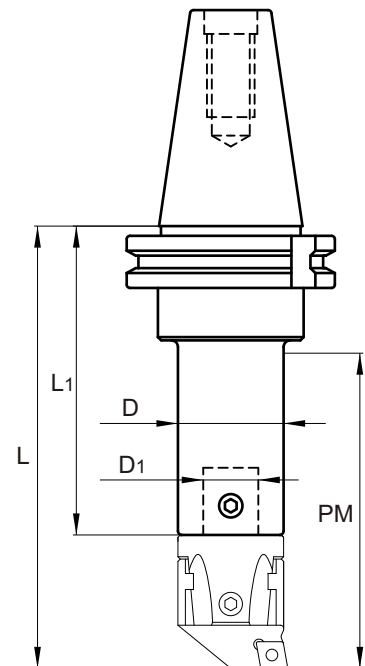


ISO 30

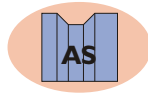
SIZE	Dimension					Product Number	Kg.	Coupling Screw
	øD	øD1	L	L1	PM			
22	22	12	138	104	100	AS 330 022 100	0.700	TC 022
27	27	15	90	48	55	AS 330 027 055	0.560	TC 027
	27	15	138	96	100	AS 330 027 100	0.740	TC 027
32	32	20	96	51	60	AS 330 032 060	0.580	TC 032
	32	20	138	93	100	AS 330 032 100	0.800	TC 032

ISO 40

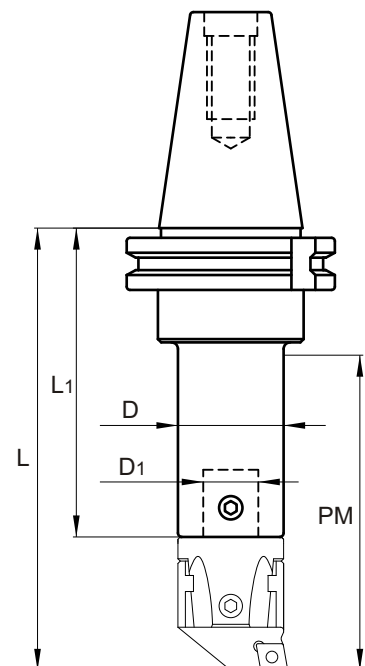
SIZE	Dimension					Product Number	Kg.	Coupling Screw
	øD	øD1	L	L1	PM			
22	22	12	118	84	80	AS 340 022 080	1.230	TC 022
	22	12	138	104	100	AS 340 022 100	1.300	TC 022
27	27	15	90	48	55	AS 340 027 055	1.130	TC 027
	27	15	138	96	100	AS 340 027 100	1.350	TC 027
	27	15	168	126	130	AS 340 027 130	1.490	TC 027
32	32	20	96	51	60	AS 340 032 060	1.140	TC 032
	32	20	138	93	100	AS 340 032 100	1.400	TC 032
	32	20	168	123	130	AS 340 032 130	1.590	TC 032
42	42	24	112	56	75	AS 340 042 075	1.200	TC 042
	42	24	182	126	160	AS 340 042 160	1.980	TC 042
	42	24	222	166	200	AS 340 042 200	2.460	TC 042
54	54	28	142	76	120	AS 340 054 120	1.630	TC 054
	54	28	182	116	160	AS 340 054 160	2.360	TC 054
	54	28	222	156	200	AS 340 054 200	3.110	TC 054
68	68	36	183	97	160	AS 340 068 160	2.480	TC 068
	68	36	223	137	200	AS 340 068 200	3.630	TC 068
85	85	50	224	124	200	AS 340 085 200	4.240	TC 068
100/200	100	60	224	124	200	AS 340 100 200	5.160	TC 100



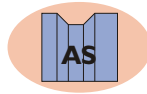
ARBORS FOR BORING HEADS

DIN 69871

ISO 45 (UPON REQUEST)

SIZE	Dimension					Product Number	Kg.	Coupling Screw
	øD	øD1	L	L1	PM			
22	22	12	118	84	80	AS 345 022 080	2.250	TC 022
	22	12	138	104	100	AS 345 022 100	2.350	TC 022
27	27	15	90	48	55	AS 345 027 055	2.010	TC 027
	27	15	138	96	100	AS 345 027 100	2.400	TC 027
	27	15	168	126	130	AS 345 027 130	2.600	TC 027
32	32	20	96	51	60	AS 345 032 060	1.800	TC 032
	32	20	168	123	130	AS 345 032 130	2.850	TC 032
	32	20	198	153	160	AS 345 032 160	3.100	TC 032
42	42	24	112	56	75	AS 345 042 075	2.100	TC 042
	42	24	198	142	160	AS 345 042 160	3.000	TC 042
	42	24	238	182	200	AS 345 042 200	3.300	TC 042
54	54	28	125	59	90	AS 345 054 090	2.400	TC 054
	54	28	182	116	160	AS 345 054 160	3.900	TC 054
	54	28	222	156	200	AS 345 054 200	4.650	TC 054
68	68	36	223	137	200	AS 345 068 200	4.800	TC 068
	68	36	283	197	260	AS 345 068 260	6.650	TC 068
85	85	50	224	124	200	AS 345 085 200	5.400	TC 068
	85	50	284	184	260	AS 345 085 260	8.150	TC 068
	85	50	344	244	320	AS 345 085 320	8.900	TC 068



ARBORS FOR BORING HEADS

DIN 69871

ISO 50

SIZE	Dimension					Product Number	Kg.	Coupling Screw
	øD	øD1	L	L1	PM			
22	22	12	118	84	80	AS 350 022 080	3.450	TC 022
	22	12	138	104	100	AS 350 022 100	3.500	TC 022
27	27	15	90	48	55	AS 350 027 055	3.300	TC 027
	27	15	138	96	100	AS 350 027 100	3.550	TC 027
	27	15	168	126	130	AS 350 027 130	3.680	TC 027
32	32	20	96	51	60	AS 350 032 060	3.310	TC 032
	32	20	168	123	130	AS 350 032 130	3.790	TC 032
	32	20	198	153	160	AS 350 032 160	3.980	TC 032
42	42	24	112	56	75	AS 350 042 075	3.390	TC 042
	42	24	198	142	160	AS 350 042 160	4.360	TC 042
	42	24	238	182	200	AS 350 042 200	4.860	TC 042
54	54	28	128	62	90	AS 350 054 090	3.570	TC 054
	54	28	198	132	160	AS 350 054 160	4.850	TC 054
	54	28	238	172	200	AS 350 054 200	5.570	TC 054
68	68	36	151	65	115	AS 350 068 115	3.740	TC 068
	68	36	223	137	200	AS 350 068 200	5.800	TC 068
	68	36	283	197	260	AS 350 068 260	7.600	TC 068
85	85	50	224	124	200	AS 350 085 200	6.300	TC 068
	85	50	284	184	260	AS 350 085 260	9.040	TC 068
	85	50	344	244	320	AS 350 085 320	11.700	TC 068
100 200	100	60	214	114	190	AS 350 100 190	6.600	TC 100
	100	60	284	184	260	AS 350 100 260	11.000	TC 100
	100	60	344	244	320	AS 350 100 320	14.660	TC 100
300 400 500	100	60	160	70	125	* AS 550 160	5.650	TF 100

* SEE PAGES 46 AND 47: ASSEMBLY SYSTEM FOR LARGE BORING HEADS

