

# ARBORS FOR BORING HEADS

**DIN 69893**



## HSK 50

SIZE	Dimension					Product Number	Kg.	Coupling Screw
	øD	øD1	L	L1	PM			
22	22	12	81	47	55	<b>HSK 050A 022 055</b>	0.490	TC 022
27	27	15	91	49	65	<b>HSK 050A 027 065</b>	0.570	TC 027
32	32	20	101	56	75	<b>HSK 050A 032 075</b>	0.660	TC 032
42	42	24	116	60	90	<b>HSK 050A 042 090</b>	0.730	TC 042

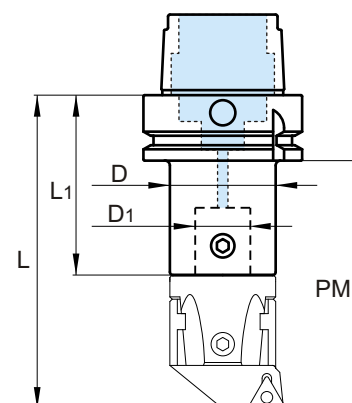


## HSK 63

SIZE	Dimension					Product Number	Kg.	Coupling Screw
	øD	øD1	L	L1	PM			
22	22	12	81	47	55	<b>HSK 063A 022 055</b>	0.750	TC 022
27	27	15	91	49	65	<b>HSK 063A 027 065</b>	0.780	TC 027
32	32	20	101	56	75	<b>HSK 063A 032 075</b>	0.840	TC 032
42	42	24	116	60	90	<b>HSK 063A 042 090</b>	0.980	TC 042
54	54	28	136	70	110	<b>HSK 063A 054 110</b>	1.300	TC 054
68	68	36	171	85	145	<b>HSK 063A 068 145</b>	1.850	TC 068

## HSK 100

SIZE	Dimension					Product Number	Kg.	Coupling Screw
	øD	øD1	L	L1	PM			
22	22	12	89	55	55	<b>HSK 100A 022 055</b>	2.280	TC 022
27	27	15	99	57	65	<b>HSK 100A 027 065</b>	2.350	TC 027
32	32	20	104	59	75	<b>HSK 100A 032 075</b>	2.330	TC 032
42	42	24	119	63	90	<b>HSK 100A 042 090</b>	2.470	TC 042
54	54	28	139	73	110	<b>HSK 100A 054 110</b>	2.800	TC 054
68	68	36	174	88	145	<b>HSK 100A 068 145</b>	3.510	TC 068
85	85	50	194	94	165	<b>HSK 100A 085 165</b>	4.150	TC 068
100	100	60	214	114	185	<b>HSK 100A 100 185</b>	5.670	TC 100
300	100	60	170	80	140	<b>* HSK 550 160</b>	5.240	TF 100



\* SEE PAGES 46 AND 47: ASSEMBLY SYSTEM FOR LARGE BORING HEADS