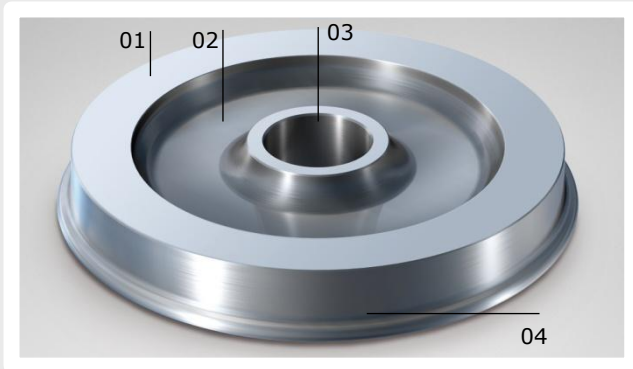


Wheels and Axles



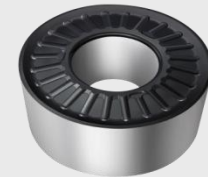
01 Walter Capto™ turning toolholder Facing



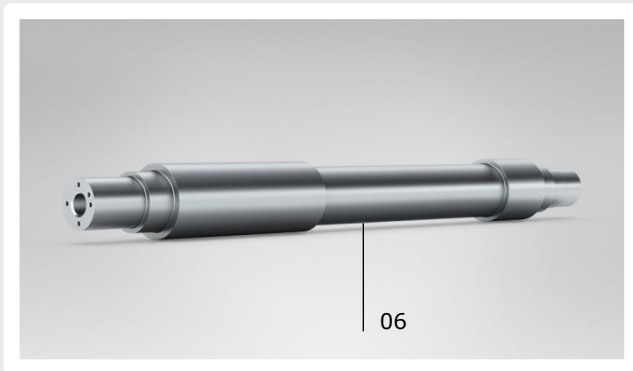
04 Walter Capto™ turning toolholder Machining the outer profile



02 Walter Capto™ Turning toolholder Machining the inner profile



05 Walter Round inserts



03 Walter Capto™ Turning double toolholder central hole



Tiger-tec®Silver



06 Walter ISO inserts