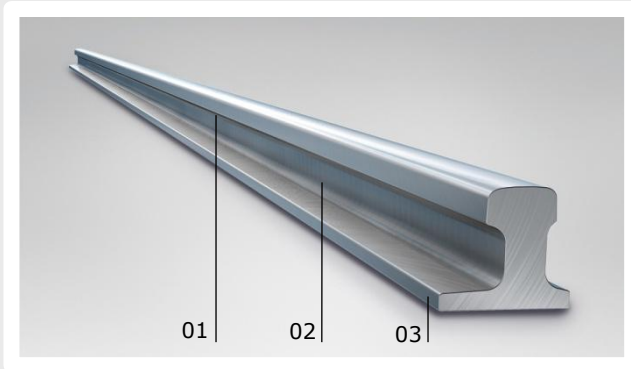


Rails and Points



01 Walter Special form milling cutter
Railhead – Running and Guide Faces



04 Walter Special form milling cutter -
Straight switches



02 Walter Special milling cutter -
Fish plate



05 Walter Special form milling cutter -
Straight switches1



03 Walter Special milling cutter -
Guiding and rigid surface



06 Walter Special form cutter -
Curved switches

