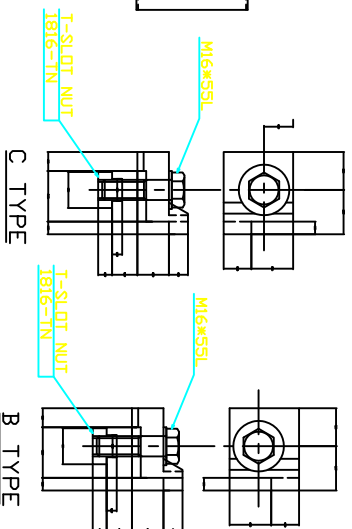
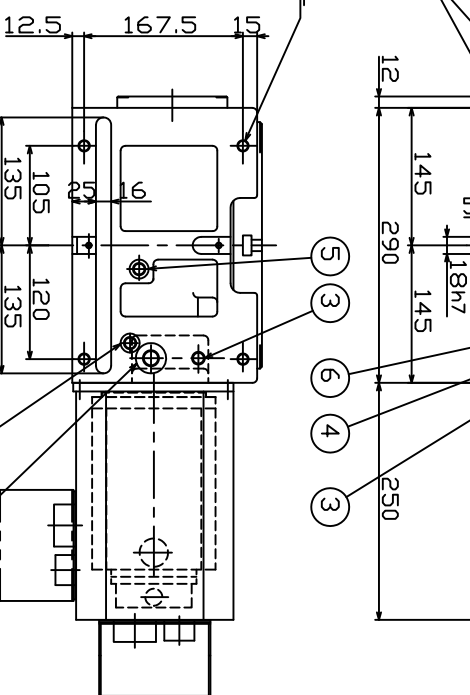
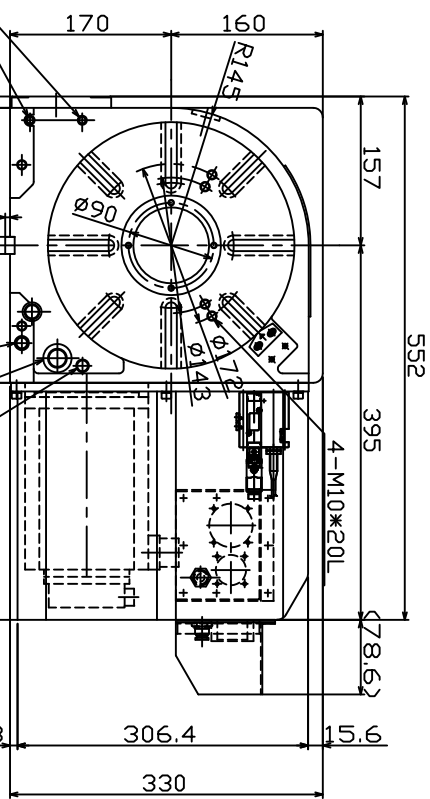
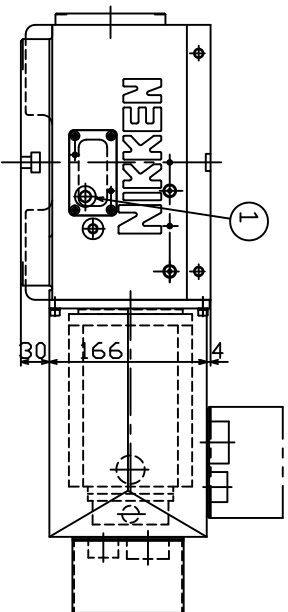


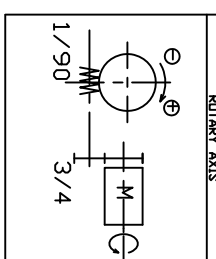
DETAIL OF CENTER BORE



FITTING METAL (SET)

PNEUMATIC PRESSURE
SUPPLY PORT R1/4
フルネ用エア供給口

SPECIFICATION (仕様)	
DIAMETER OF TABLE	φ260mm
DIAMETER OF SPINDLE HOLE	φ80H7mm
CENTER HEIGHT	170mm
WIDTH OF T-SLOT	12H7mm
WIDTH OF GUIDE BLOCK	18H7mm
INDEXING ACCURACY	20sec
CLAMPING METHOD	PNEUMATIC
CLAMPING TORQUE	35kgf・m 343Nm
NET WEIGHT	120kg
INERTIA AT MOTOR SHAFT	0.0033kg・cm ² E-9-10033kg・m ²
GV/4	0.00038kg・m ²
SPIND MOTOR	FANUC AC a3
TOTAL REDUCTION RATIO	1/120
ROTATION SPEED	165rpm 165min ⁻¹
MIN. INCREMENT	0.001°
MAX. LOAD (MOMENT)	175kg
MAX. LOAD (TORQUE)	350kg
MAX. CUTTING THRUST	87kgf・m 858N・m
MAX. WORK INERTIA	19.4kg・cm ² E-9-194kg・m ²
GV/4	1.9kg・m ²



REV. 訂正者 記	付	訂正者 記	*	付
Δ x				
Δ x				
Δ x				

1	DR. SUPPLY PORT FOR BODY	5	DRAIN PORT FOR BODY	9
2	DR. GAUGE FOR BODY	6	DRAIN PORT FOR GEARBOX	10
3	DR. SUPER PORT FOR GEARBOX	7	BACKLASH ADJUSTING BOLT	11
4	DR. GAUGE FOR GEARBOX	8		12

MACHINE MAKER	TITLE	CUSTOMER
NIKKEN KOSAKISHO WORKS, LTD.	CNC ROTARY TABLE	NIKKEN KOSAKISHO WORKS, LTD.
MACHINE MODEL	CODE NO.	DESIGNED
CNC260FA		YOSHIMOTO
SCALE	DATE	CHECKED
1/4	R004/NOV/13	H.Y
		APPROVED
		KOBAYASHI
		DIR-NAME
		CNC
		DRWG. NO.
		TCA-C4025/0

NIKKEN KOSAKISHO WORKS, LTD. All Rights Reserved