



# MANUAL CHUCK

During our early days as an oem manufacturer of manual chucks, we have inherited and improvised on the commitment to making high quality products. Our manual chucks are proud symbols of steadfast dedication to precision and performance.



## SC

Standard Scroll  
Chuck(Hard Jaws)

132 P



## MU

Manual Chuck

142 P



## FSC

Standard Front  
Mounting Scroll  
Chuck(Hard Jaws)

134 P



## IC

Independent  
Chuck(Hard Jaws)

144 P



## TC

Standard Scroll  
Chuck(Soft & Hard  
Top Jaws)

135 P



## IC Mega Bore

Independent  
Chuck(Hard Jaws)

146 P



## FTC

Front Mounting  
Scroll Chuck(Soft &  
Hard Top Jaws)

136 P



## ST

2-Jaw Scroll Chuck  
(Soft Top Jaws)

138 P



## SF

4-Jaw Scroll Chuck  
(Hard Jaws)

139 P



## SCS

6-Jaw Scroll Chuck  
(Hard Jaws)

140 P



## SL

Standard Slotter  
Chuck(Hard Jaws)

141 P

# SC Standard Scroll Chuck (Hard Jaws)

Thru Hole Range :  $\varnothing 16 \sim \varnothing 57$   
Clamping Range :  $\varnothing 2 \sim \varnothing 180$



## Application / Benefits

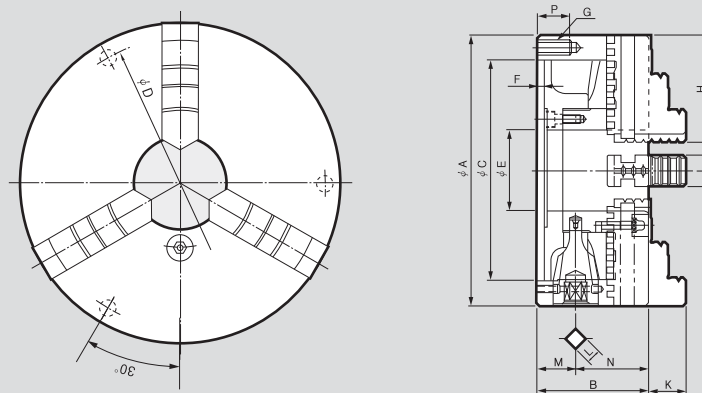
For work requiring through hole

## Technical features

Reversible one-piece hard jaws

Rear mounting only

Self-centering jaws manually opened by t-handle



## DIMENSIONS


	SC-85(3")	SC-110(4")	SC-130(5")	SC-165(6")	SC-190(7")
ΦA	85	110	130	167	192
B	44.1	58	60	65	75
ΦC(H6)	60	80	100	130	155
ΦD	73	95	115	147	172
ΦE	16	24	34	45	57
F	3.5	4.5	4.5	5	5
G	3-M6	3-M8	3-M8	3-M10	3-M10
H	35	44	50	65	75
J	11	14	16	19	22
K	14.6	20.0	20.1	25.07	30.06
L	7	8	8	10	11
M	17	24.5	22.5	24	27.5
N	27.1	32.35	37	41	47.5
P	13	16	16	20	20

## SPECIFICATIONS

	SC-85 (3")	SC-110 (4")	SC-130 (5")	SC-165 (6")	SC-190 (7")
Max. Static Gripping Force [kN(kgf)]	9(918)	12(1224)	15(1530)	31(3161)	31(3161)
Clamping Range External [φmm]	2~70	3~94	3~110	3~160	4~180
Clamping Range Internal [φmm]	24~64	29~84	33~100	48~150	56~170
Handle Torque [N · m(kgf · m)]	29.4(3.0)	44.1(4.1)	63.7(6.5)	88.3(9.0)	107.9(11.0)
Max. r.p.m. [min <sup>-1</sup> ]	2500	2500	2500	4000	3500
Weight [kg]	1.5	3.1	4.4	11.4	12.2
Moment of inertia [N · m <sup>2</sup> (kg · m <sup>2</sup> )]	0.05(0.005)	0.17(0.017)	0.35(0.036)	1.18(0.12)	2.35(0.24)

# SC Standard Scroll Chuck (Hard Jaws)

Thru Hole Range :  $\varnothing 75 \sim \varnothing 130$   
Clamping Range :  $\varnothing 5 \sim \varnothing 346$

 Adaptor  
262p

 H/S Jaw  
261p



## Application / Benefits

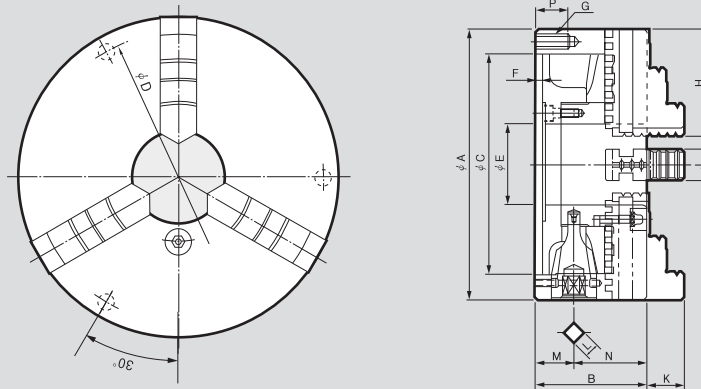
For work requiring through hole

## Technical features

Reversible one-piece hard jaws

Rear mounting only

Self-centering jaws manually opened by t-handle



## DIMENSIONS

	SC-230(9")	SC-273(10")	SC-310(12")	SC-355(14")	SC-405(16")
$\varnothing A$	232	273	310	355	405
B	84	86	96	110	114.5
$\varnothing C(H6)$	190	230	260	300	345
$\varnothing D$	210	250	285	328	375
$\varnothing E$	75	89	100	105	130
F	6	6	7	8	8
G	3-M12	3-M12	3-M12	6-M12	6-M12
H	85	98	110	133	133
J	24	28	30	35	35
K	35.04	40.02	45.08	62.98	63
L	12	12	14	14	15
M	29.5	31.5	31.5	42.4	43
N	54.5	54.5	64.5	67.6	71.5
P	25	25	25	36	36

## SPECIFICATIONS

	SC-230 (9")	SC-273 (10")	SC-310 (12")	SC-355 (14")	SC-405 (16")
Max. Static Gripping Force [kN(kgf)]	37(3773)	46(4691)	55(5608)	40.5(4130)	45(4589)
Clamping Range External [ $\varnothing$ mm]	5~200	5~260	10~300	25~315	25~346
Clamping Range Internal [ $\varnothing$ mm]	62~210	70~250	86~290	107~290	113~324
Handle Torque [N · m(kgf · m)]	147(15.0)	176.5(18.0)	206(21.0)	225.6(23.0)	245(25.0)
Max. r.p.m. [ $\text{min}^{-1}$ ]	2900	2500	2200	1500	1500
Weight [kg]	21.2	28	41	54	74
Moment of inertia [N · m <sup>2</sup> (kg · m <sup>2</sup> )]	6.27(0.64)	9.90(1.01)	23.0(2.35)	37.2(3.8)	67.6(6.9)

\* Maximum turning speed is based upon actual measurement.

# FSC Standard Front-Mounting Scroll Chuck (Hard Jaws)

Thru Hole Range :  $\varnothing 34 \sim \varnothing 100$   
Clamping Range :  $\varnothing 3 \sim \varnothing 300$

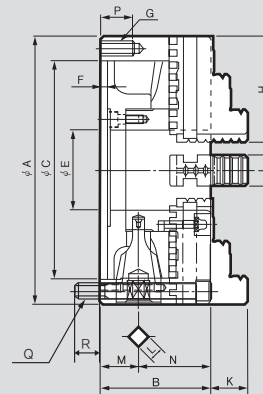
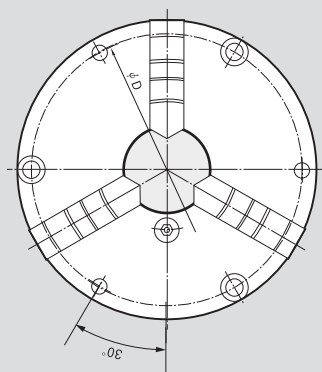


## Application / Benefits

For work requiring through hole  
Front mounting holes for convenient installation on lathes and spindles

## Technical features

Reversible one-piece hard jaws  
Self-centering jaws manually opened by t-handle



## DIMENSIONS

	FSC-130(5")	FSC-165(6")	FSC-190(7")	FSC-230(9")	FSC-273(10")	FSC-310(12")
$\varnothing A$	130	167	192	232	273	310
B	60	65	75	84	86	96
$\varnothing C(H6)$	100	130	155	190	230	260
$\varnothing D$	115	147	172	210	250	285
$\varnothing E$	34	45	57	75	89	100
F	4.5	5	5	6	6	7
G	3-M8	3-M10	3-M10	3-M12	3-M12	3-M12
H	50	65	75	87	98	110
J	16	19	22	24	28	30
K	19.6	25.07	30.06	35.04	40.02	45.08
L	8	10	11	12	12	14
M	22.5	24	27.5	29.5	31.5	31.5
N	37	41	47.5	54.5	54.5	64.5
P	16	20	20	25	25	25
Q	3-M8x65	3-M10x70	3-M10x85	3-M12x95	3-M12x95	3-M12x110
R	14	16	17	24	20	27

## SPECIFICATIONS

	FSC-130(5")	FSC-165(6")	FSC-190(7")	FSC-230(9")	FSC-273(10")	FSC-310(12")
Max. Static Gripping Force [kN(kgf)]	15(1530)	31(3161)	31(3161)	37(3773)	46(4691)	55(5608)
Clamping Range External [ $\varnothing$ mm]	3~110	3~160	4~180	5~220	5~260	10~300
Clamping Range Internal [ $\varnothing$ mm]	3~100	48~150	56~170	62~210	70~250	86~290
Handle Torque [N · m(kgf · m)]	63.7(6.5)	88.3(9.0)	107.9(11.0)	147(15.0)	176.5(18.0)	206(21.0)
Max. r.p.m. [ $\text{min}^{-1}$ ]	2500	4000	3500	2900	2500	2200
Weight [kg]	4.4	11.4	12	21.2	28	41
Moment of inertia [N · m <sup>2</sup> (kg · m <sup>2</sup> )]	0.35(0.036)	1.18(0.12)	2.35(0.24)	6.27(0.64)	9.90(1.01)	23.0(2.35)

※ Specifications are subject to change without notice.

# TC Standard Scroll Chuck (Soft and Hard top Jaws)

Thru Hole Range :  $\varnothing 57 \sim \varnothing 100$   
Clamping Range :  $\varnothing 4 \sim \varnothing 300$

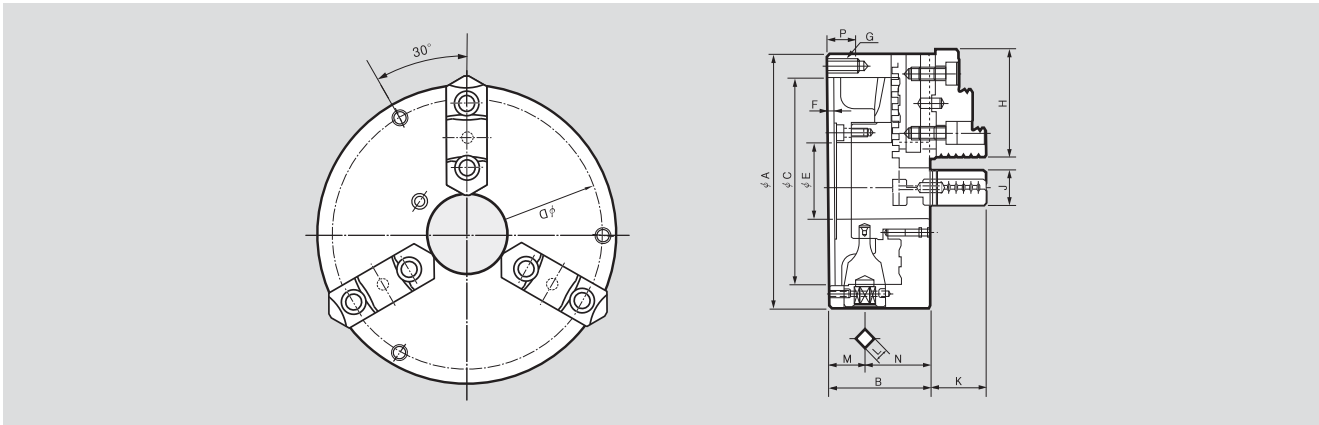


## Application / Benefits

For work requiring through hole

## Technical features

- Two-piece, reversible base jaw and top hard jaws (soft top jaws also included)
- Rear mounting only
- Self-centering jaws manually opened and closed by t-handle



## DIMENSIONS

	TC-190(7")	TC-230(9")	TC-273(10")	TC-310(12")
$\varnothing A$	192	232	273	310
B	78.7	83.7	88	96
$\varnothing C$	155	190	230	260
$\varnothing D$	172	210	250	285
$\varnothing E$	57	75	89	100
F	5	6	6	7
G	3-M10	3-M12	3-M12	3-M12
H	80.5	90.5	103.5	115.5
J	28	32	35	40
K	42.8	53.8	57.82	56.08
L	11	12	12	14
M	27.5	29.5	31.5	31.5
N	51.2	54.2	56.5	64.5
P	20	25	25	25
Mounting bolt	3-M10	3-M12	3-M12	3-M12

## SPECIFICATIONS

	TC-190(7")	TC-230(9")	TC-273(10")	TC-310(12")
Max. Static Gripping Force [kN(kgf)]	31(3161)	37(3773)	46(4691)	55(5608)
Clamping Range External [ $\phi$ mm]	4~180	5~220	5~260	10~300
Clamping Range Internal [ $\phi$ mm]	56~170	62~210	70~250	86~290
Handle Torque [N · m(kgf · m)]	107.9(11.0)	147(15.0)	173.5(18.0)	206(21.0)
Max. r.p.m. [ $\text{min}^{-1}$ ]	6500	2900	2500	2200
Weight [kg]	12.2	21.2	28	41
Moment of inertia [N · m <sup>2</sup> (kg · m <sup>2</sup> )]	2.35(0.24)	6.24(0.64)	9.90(1.01)	23.0(2.35)

※ Maximum turning speed is based upon actual measurement.

# FTC Front-Mounting Scroll Chuck (Soft and Hard top Jaws)



## Application / Benefits

For work requiring through hole  
Front mounting holes for convenient installation on lathes and spindles

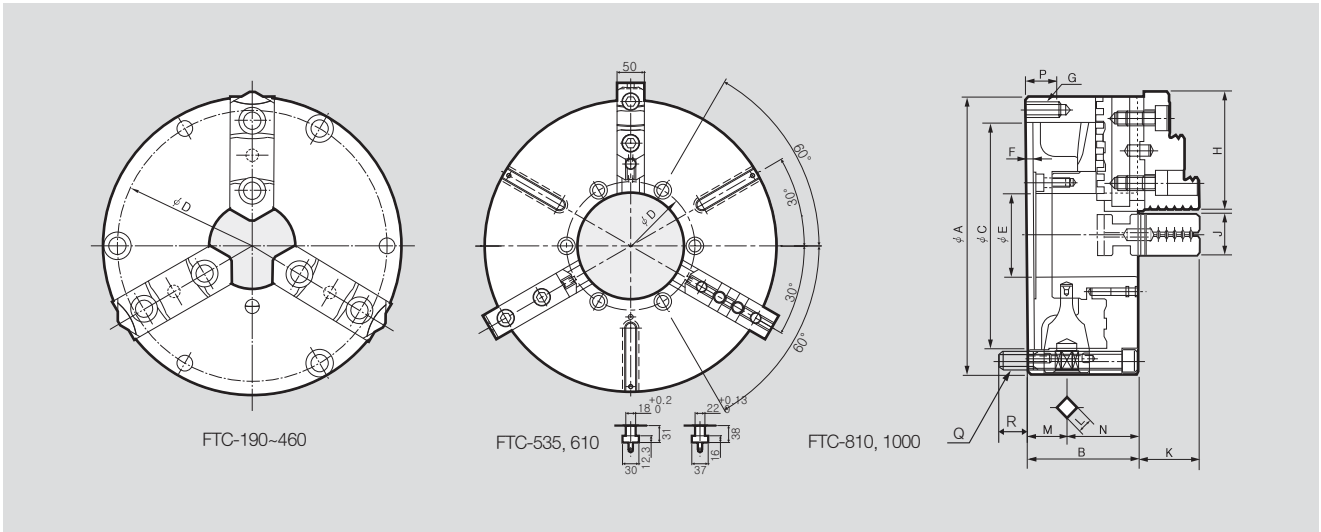
## Technical features

Two-piece, reversible base jaw and top hard jaws (soft top jaws also included)  
Self-centering jaws manually opened and closed by t-handle

## SPECIFICATIONS

	FTC-165	FTC-190(7")	FTC-230(9")	FTC-273(10")	FTC-310(12")
Max. Static Gripping Force [kN(kgf)]	31(3161)	31(3161)	37(3773)	46(4691)	55(5608)
Clamping Range External [ $\phi$ mm]	3~160	4~180	5~220	5~260	10~300
Clamping Range Internal [ $\phi$ mm]	55~150	56~170	62~210	70~250	86~290
Handle Torque [N · m(kgf · m)]	88(9.0)	107.9(11.0)	147(15.0)	176.5(18.0)	206(21.0)
Max. r.p.m. [ $\text{min}^{-1}$ ]	4000	3500	2900	2500	2200
Weight [kg]	9	12.2	21.2	28	41
Moment of inertia [N · m <sup>2</sup> (kg · m <sup>2</sup> )]	0.033	0.62(0.063)	1.61(0.163)	2.63(0.265)	5.85(0.588)

	FTC-460(18")	FTC-535(21")	FTC-610(24")	FTC-810(32")	FTC-1000(40")
Max. Static Gripping Force [kN(kgf)]	65(6650)	73(7400)	80(8200)	110(11216)	110(11216)
Clamping Range External [ $\phi$ mm]	40~410	45~481	130~576	270~810	340~990
Clamping Range Internal [ $\phi$ mm]	152~436	155~499	235~592	390~800	450~940
Handle Torque [N · m(kgf · m)]	255.0(26)	313.9(32)	372.7(38)	588(60)	588(60)
Max. r.p.m. [ $\text{min}^{-1}$ ]	1200	950	850	650	470
Weight [kg]	106	182	238	480	780
Moment of inertia [N · m <sup>2</sup> (kg · m <sup>2</sup> )]	124(12.6)	287(29.3)	488(49.8)	598(61)	598(61)



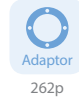
## DIMENSIONS

	FTC-165	FTC-190(7")	FTC-230(9")	FTC-273(10")	FTC-310(12")	FTC-460(18")	FTC-535(21")	FTC-610B(24")	FTC-810(32")	FTC-1000(40")
$\Phi A$	167	192	232	273	310	460	535	610	810	1000
B	69	78.7	83.7	88	96	114	143	143	180	196
$\Phi C(H6)$	130	155	190	230	260	400	270	380	520	910
$\Phi D$	147	172	210	250	285	425	235	315	425	510
$\Phi E$	47	57	75	89	100	190	195	275	375	580
F	5	5	6	6	7	8	12	14	16	16
G	3-M10	3-M10	3-M12	3-M12	3-M12	-	-	-	-	-
H	67	80.5	90.5	103.5	115.5	140(130)	150(130)	130	248	286
J	26	28	32	35	40	50	50	50	70	70
K	38.5	42.8	53.8	57.82	56.08	80	82	82	95	95
L	10	11	12	12	14	17	22	22	22	22
M	24	27.5	29.5	31.5	31.5	38.2	57.5	57.5	64	69.5
N	45	51.2	54.2	56.5	64.5	76	85.5	85.5	116	126.5
P	20	20	25	25	25	-	-	-	-	-
Q	3-M10x75	3-M10x90	3-M12x95	3-M12x95	3-M12x110	3-M16x125	3-M20x140	3-M20x140	3-M24x140	3-M24x190
R	17	22	24	20	27	29	32	33	32	35



# ST 2Jaw Scroll Chuck (Soft top Jaws)

Thru Hole Range :  $\varnothing 57 \sim \varnothing 100$   
Clamping Range :  $\varnothing 4 \sim \varnothing 300$



## Application / Benefits

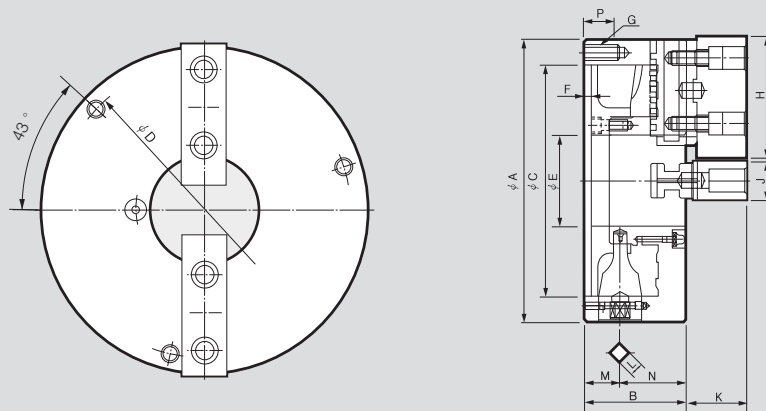
For square or rectangular requiring through hole

## Technical features

Two-piece base and soft top jaws

Rear mounting only

Self-centering jaws manually opened and closed by t-handle



## DIMENSIONS

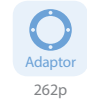
	ST-190(7")	ST-230(9")	ST-273(10")	ST-310(12")
$\varnothing A$	192	232	273	310
B	78.7	83.7	88	96
$\varnothing C(H6)$	155	190	230	260
$\varnothing D$	172	210	250	285
$\varnothing E$	57	75	89	100
F	5	6	6	7
G	3-M10	3-M12	3-M12	3-M12
H	88	100	110	125
J	32	32	35	40
K	44.8	49.8	54.32	50.58
L	11	12	12	14
M	27.5	29.5	31.5	31.5
N	51.2	54.2	56.5	64.5
P	20	25	25	25

## SPECIFICATIONS

	ST-190(7")	ST-230(9")	ST-273(10")	ST-310(12")
Max. Static Gripping Force [kN(kgf)]	20.7(2110)	24.7(2518)	46(4691)	55(5608)
Clamping Range External [ $\phi$ mm]	4~180	5~220	5~260	10~300
Clamping Range Internal [ $\phi$ mm]	62~170	70~210	70~250	86~290
Handle Torque [N · m(kgf · m)]	73.5(7.5)	98(10.0)	176.5(18.0)	206(21.0)
Max. r.p.m. [min <sup>-1</sup> ]	3500	2900	2500	2200
Weight [kg]	12.6	21.4	28	41
Moment of inertia [N · m <sup>2</sup> (kg · m <sup>2</sup> )]	2.55(0.26)	6.27(0.64)	9.90(1.01)	23.0(2.35)

# SF 4-Jaw Scroll Chuck (Hard Jaws)

Thru Hole Range :  $\varnothing 57 \sim \varnothing 100$   
Clamping Range :  $\varnothing 4 \sim \varnothing 300$



## Application / Benefits

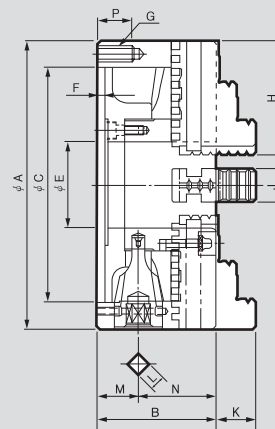
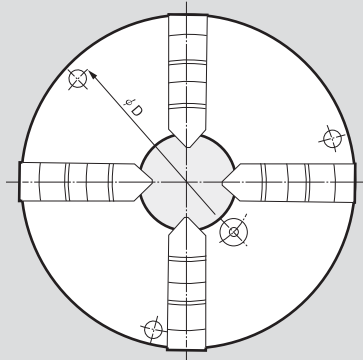
For square work requiring through hole

## Technical features

Rear mounting only

One-piece reversible, hard jaws

Self-centering jaws manually opened and closed by t-handle



## DIMENSIONS

	SF-190(7")	SF-230(9")	SF-273(10")	SF-310(12")	SF-405(16")
$\varnothing A$	192	232	273	310	405
B	75	84	86	96	114.5
$\varnothing C(H6)$	155	190	230	260	345
$\varnothing D$	172	210	250	285	375
$\varnothing E$	57	75	89	100	130
F	5	6	6	7	8
G	3-M10	3-M12	3-M12	3-M12	6-M12
H	75	85	98	110	133
J	22	24	28	30	35
K	30.06	35.04	40.02	45.08	63
L	11	12	12	14	15
M	27.5	29.5	31.5	31.5	42
N	47.5	54.5	54.5	64.5	72.5
P	20	25	25	25	36

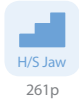
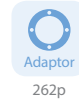
## SPECIFICATIONS

	SF-190(7")	SF-230(9")	SF-273(10")	SF-310(12")	SF-405(16")
Max. Static Gripping Force [kN(kgf)]	31(3161)	37(3773)	46(4691)	55(5608)	
Clamping Range External [ $\phi$ mm]	4~180	5~220	5~260	10~300	
Clamping Range Internal [ $\phi$ mm]	56~170	62~210	70~250	86~290	
Handle Torque [N · m(kgf · m)]	107.9(11.0)	147(15.0)	176.5(18.0)	206(21.0)	
Max. r.p.m. [ $\text{min}^{-1}$ ]	3500	2900	2500	2200	
Weight [kg]	12.5	21.5	28	41	
Moment of inertia [N · $\text{m}^2(\text{kg} \cdot \text{m}^2)$ ]	2.45(0.25)	6.37(0.65)	9.90(1.01)	23.0(2.35)	

※ Maximum turning speed is based upon actual measurement.

# SCS 6-Jaw Scroll Chuck (Hard Jaws)

Thru Hole Range :  $\varnothing 75 \sim \varnothing 100$   
Clamping Range :  $\varnothing 5 \sim \varnothing 300$

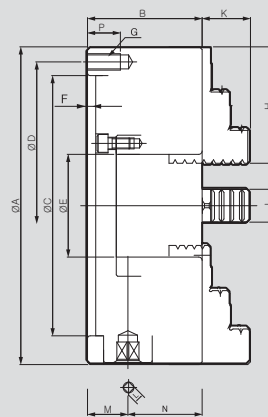
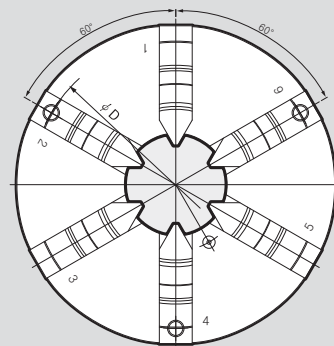


## Application / Benefits

For work prone to deformity requiring through hole  
Minimizes deformation

## Technical features

Rear mounting only  
One-piece reversible, hard jaws  
Self-centering jaws manually opened and closed by t-handle



## DIMENSIONS

	SCS-230(9")	SCS-273(10")	SCS-310(12")
$\varnothing A$	232	273	310
B	84	86	96
$\varnothing C(H6)$	190	230	260
$\varnothing D$	210	250	285
$\varnothing E$	75	89	100
F	6	6	7
G	3-M12	3-M12	3-M12
H	85	98	110
J	24	28	30
K	35.04	40.02	45.08
L	12	12	14
M	29.5	31.5	31.5
N	54.5	54.5	64.5
P	25	25	25

## SPECIFICATIONS

	SCS-230 (9")	SCS-273 (10")	SCS-310 (12")
Max. Static Gripping Force [kN(kgf)]	37(3773)	46(4691)	55(5608)
Clamping Range External [ $\phi$ mm]	5~200	5~260	10~300
Clamping Range Internal [ $\phi$ mm]	62~210	70~250	86~290
Handle Torque [N · m(kgf · m)]	147(15.0)	176.5(18.0)	206(21.0)
Max. r.p.m. [ $\text{min}^{-1}$ ]	2900	2500	2200
Weight [kg]	24	32	45
Moment of inertia [N · m <sup>2</sup> (kg · m <sup>2</sup> )]	6.27(0.64)	9.90(1.01)	23.0(2.35)

※ Maximum turning speed is based upon actual measurement.

# SL Standard Slotter Chuck (Hard Jaws)

Thru Hole Range :  $\varnothing 60 \sim \varnothing 100$   
Clamping Range :  $\varnothing 4 \sim \varnothing 266$

 Handle  
263p

 H/S Jaw  
261p

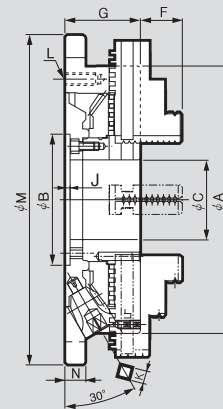
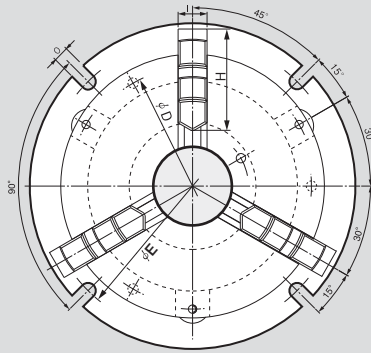


## Application / Benefits

Low-profile and compact  
Ideal for machining centers

## Technical features

Angled t-handle slot  
One-piece, reversible hard jaws



## DIMENSIONS

	SL-08	SL-10	SL-12
ΦA	215	255	305
ΦB(HC6)	110	125	160
ΦC	60	76	100
ΦD	190.5	230	280
ΦE	240	286	340
F	35.04	40.02	45.05
G	64	72	76
H	85	98	110
I	25	28	30
J	4	4.5	5
K	11	12	14
L	M10	M12	M12
M	266	315	370
N	17	20	22
O	13	15	17

## SPECIFICATIONS

	SL-08	SL-10	SL-12
Max. Static Gripping Force [kN(kgf)]	37(3,800)	46(4,700)	55(5,620)
Clamping Range External [φmm]	4~182	4~220	5~266
Clamping Range Internal [φmm]	58~174	68~212	80~263
Handle Torque [N · m(kgf · m)]	117.7(13)	176.5(18)	196.2(20)
Weight [kg]	17.6	27.7	40

※ Maximum turning speed is based upon actual measurement.

# MU Manual Chuck



## Application / Benefits

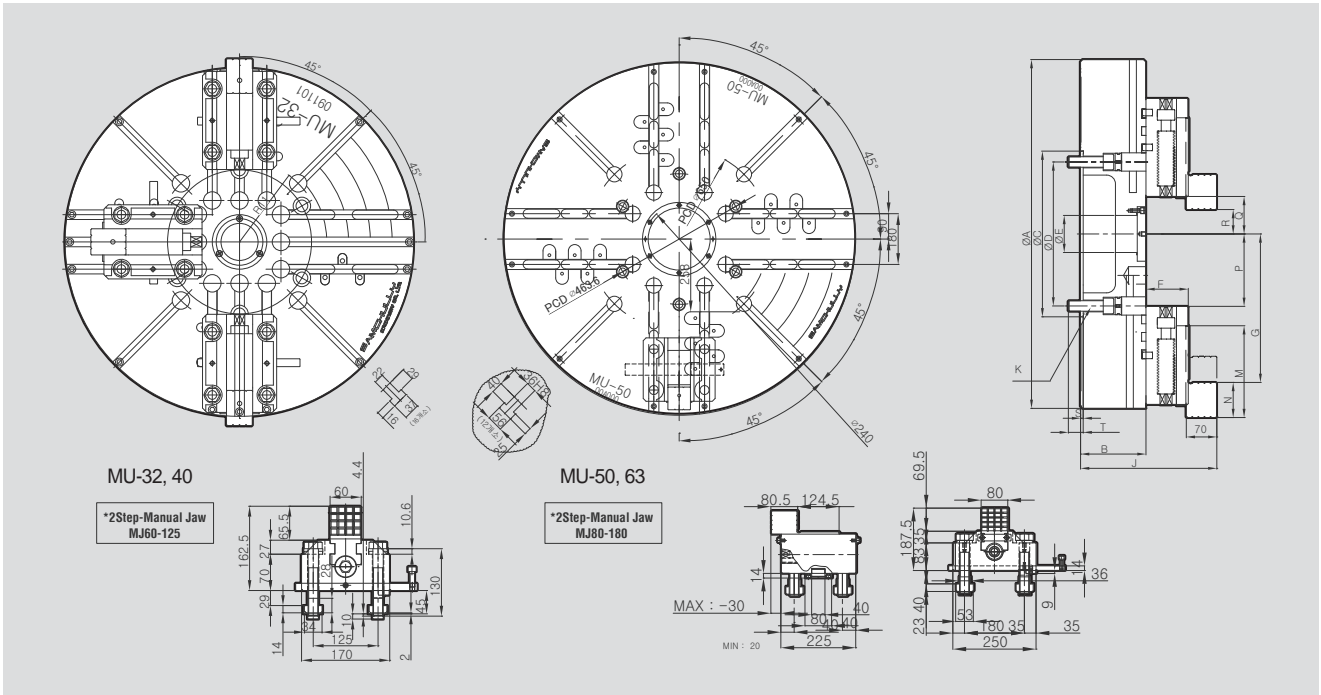
Easy to operate scroll chuck with stepped jaws.

## SPECIFICATIONS

	MU-32	MU-40	MU-50	MU-63
Box Jaw Stroke [mm]	60	60	50	50
Max. Static Gripping Force. [kN(kgf)]	-	-	-	-
Clamping Range. Max [mm]	681	885	1050	1450
Clamping Range. Min [mm]	112	316	281	321
Max. r.p.m. [ $\text{min}^{-1}$ ]	650	500	400	360
Weight [kg]	350	800	1250	1600
Moment of inertia [ $\text{N} \cdot \text{m}^2(\text{kg} \cdot \text{m}^2)$ ]	-	-	-	-

※ Maximum turning speed is based upon actual measurement.

※ T-Slot can be changed at the request.

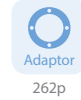


## DIMENSIONS

	MU-32	MU-40	MU-50	MU-63
ΦA	800	1000	1250	1600
ΦB(76)	150	150	180	240
ΦC	380	520	520	1020
ΦD	330.2	463.6	463.6	956
ΦE	85	178	220	320
F	99.5	99.5	124.5	124.5
G max	340.5	442.5	525	725
J	312.5	312.5	367.5	427.5
K	6-M24x80L	6-M24x90L	6-M24x100L	12-M24x140L
M	210.5	210.5	205	205
N	80.5	80.5	80.5	80.5
P	166	268	345	365
Q	86	188	170.5	190.5
R min	56	158	140.5	160.5
S	6	8	8	8
T	34	41	54	38

# IC Independent Chuck (Hard Jaws) (200mm - 400mm)

Thru Hole Range :  $\varnothing 50 \sim \varnothing 90$   
Clamping Range :  $\varnothing 75 \sim \varnothing 360$

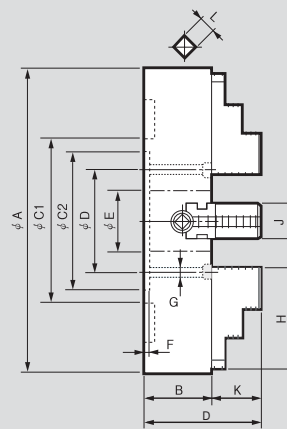
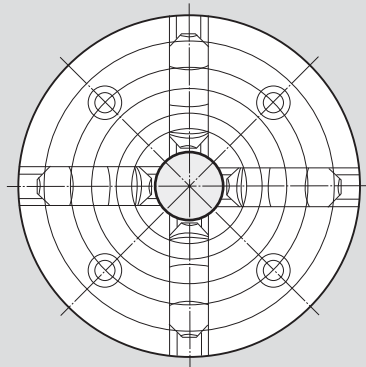


### Application / Benefits

Independently jaws suitable for irregular work  
Chucks 10 inches and larger have t-slots on body for added versatility

### Technical features

One-piece, reversible hard jaws



### DIMENSIONS

	IC-08	IC-10	IC-12	IC-14	IC-16
A	200	250	300	350	400
B	75	80	90	90	100
C1	200	165	186	210	130
C2	175	150	170	190	210
D	155	125	140	160	180
E	50	55	65	75	90
F	6	6	6	8	8
G	M12	M12	M12	M12	M16
H	75	90	100	110	120
J	30	30	35	35	40
K	30	35	40	45	50
L	10	10	12	12	14

### SPECIFICATIONS

	IC-08	IC-10	IC-12	IC-14	IC-16
Max. Static Gripping Force [kN(kgf)]	1000	1400	1600	1700	2000
Clamping Range External [ $\phi$ mm]	75	95	125	155	190
Clamping Range Internal [ $\phi$ mm]	185	220	265	310	360
Max. r.p.m. [ $\text{min}^{-1}$ ]	1600	1600	1400	1400	1200
Weight [kg]	14.8	21	29.5	40	56.5
Moment of inertia [ $\text{N} \cdot \text{m}^2(\text{kg} \cdot \text{m}^2)$ ]	0.3	0.6	1.4	2.9	4.5

※ Specifications are subject to change without notice.

# IC Independent Chuck (Hard Jaws) (450mm - 813mm)

Thru Hole Range :  $\varnothing 100 \sim \varnothing 140$   
Clamping Range :  $\varnothing 220 \sim \varnothing 750$

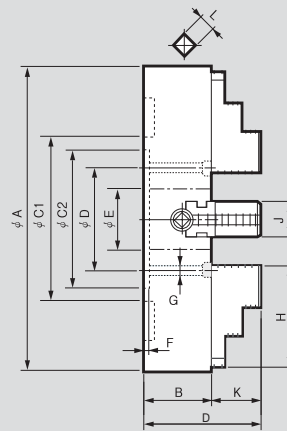
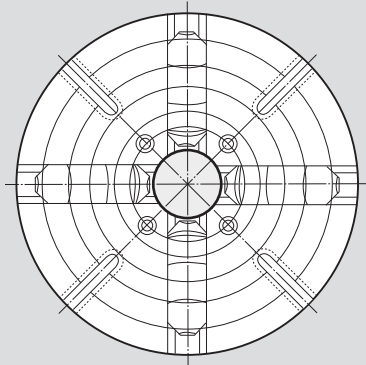


## Application / Benefits

Independently moving jaws suitable for irregular work  
Chucks 10 inches and larger have t-slots on body for added versatility

## Technical features

One-piece, reversible hard jaws



## DIMENSIONS

	IC-18	IC-20	IC-24	IC-28	IC-32
A	450	500	600	710	813
B	105	110	120	120	120
C1	230	272	330	382	440
C2	230	250	300	350	400
D	200	220	260	300	350
E	100	110	120	130	140
F	8	8	10	12	12
G	M16	M16	M20	M20	M20
H	130	140	160	190	190
J	40	45	50	55	55
K	55	60	70	85	85
L	14	14	14	14	19

## SPECIFICATIONS

	IC-18	IC-20	IC-24	IC-28	IC-32
Max. Static Gripping Force [kN(kgf)]	2000	2200	2300	2396	2447
Clamping Range External [ $\phi$ mm]	220	250	320	385	485
Clamping Range Internal [ $\phi$ mm]	405	450	550	650	750
Max. r.p.m. [ $\text{min}^{-1}$ ]	1200	900	900	900	600
Weight [kg]	70	90	150	247	357
Moment of inertia [ $\text{N} \cdot \text{m}^2(\text{kg} \cdot \text{m}^2)$ ]	7	11.8	25.3	58	103

- ※ Maximum turning speed is based upon actual measurement.
- ※ Specifications are subject to change without notice.



# IC Independent Chuck (Hard Jaws)

(500mm - 600mm) **MEGA BORE**

Thru Hole Range :  $\varnothing 180 \sim \varnothing 275$   
Clamping Range :  $\varnothing 450 \sim \varnothing 550$

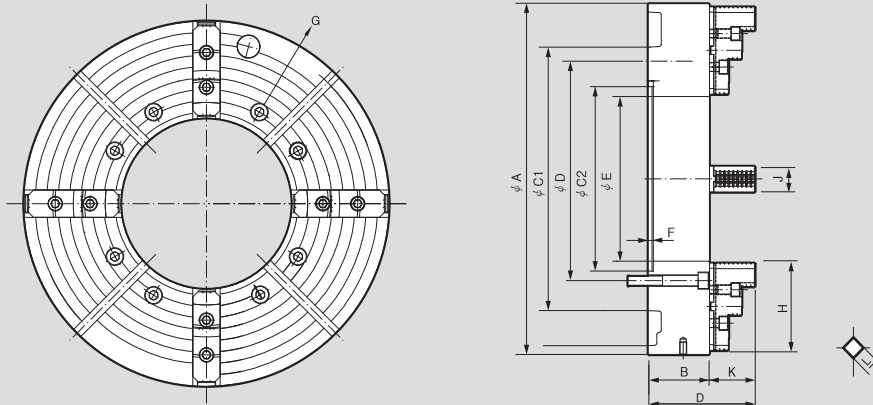


## Application / Benefits

Durable with large bore ideal for oil-field related work such as pipe  
Independently moving jaws

## Technical features

Adapters enable mounting on various spindle sizes  
Two-piece, reversible base and hard top jaw (also includes soft jaws)



## DIMENSIONS

	IC-2018	IC-2023	IC-2423	IC-2427
$\Phi A$	500	500	600	600
B	110	110	140	140
$\Phi C2$	260	300	420	420
$\Phi D$	230	270	463.6	463.6
$\Phi E$	180	230	230	275
F	-	8	10	10
G	M16	M16	M24	M24
H	135	140	200	200
J	45	45	60	60
K	83.45	83.45	104.15	104.15
L	14	14	24	24

## SPECIFICATIONS

	IC-2018	IC-2023	IC-2423	IC-2427
Max. Static Gripping Force [kN(kgf)]	27.4(2800)	27.4(2800)	28.5(2904)	30(3056)
Clamping Range External [ $\phi$ mm]	460	460	550	550
Clamping Range Internal [ $\phi$ mm]	450	450	530	550
Max. r.p.m. [ $\text{min}^{-1}$ ]	800	800	800	800
Weight [kg]	180	170	350	340
Moment of inertia [ $\text{N} \cdot \text{m}^2(\text{kg} \cdot \text{m}^2)$ ]	54.9(5.6)	51.41(5.3)	61.74(6.3)	61.74(6.3)

※ Soft & Hard jaws are basic components.  
※ Specifications are subject to change without notice.

# IC Independent Chuck (Hard Jaws)

(600mm - 1000mm) **MEGA BORE**

Thru Hole Range :  $\varnothing 320 \sim \varnothing 560$   
Clamping Range :  $\varnothing 550 \sim \varnothing 1000$

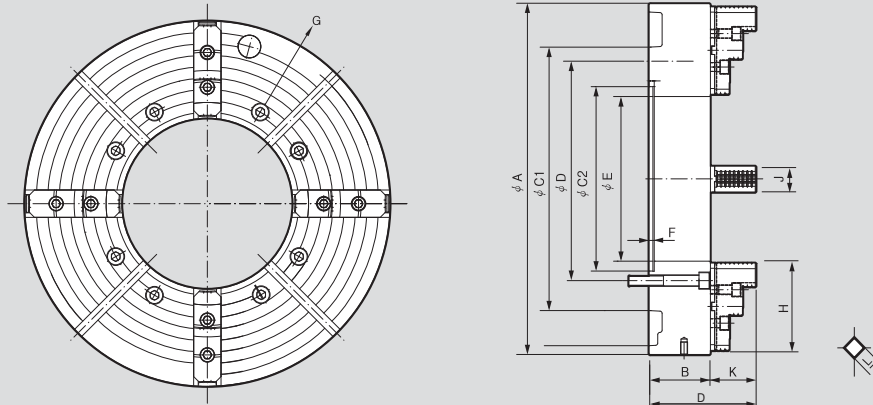


## Application / Benefits

Durable with large bore ideal for oil-field related work such as pipe  
Independently moving jaws

## Technical features

Adapters enable mounting on various spindle sizes  
Two-piece, reversible base and hard top jaw (also includes soft jaws)



## DIMENSIONS

	IC-2432	IC-3232	IC-3237	IC-4056
$\varnothing A$	600	800	800	1000
B	140	140	140	160
$\varnothing C2$	420	420	420	650
$\varnothing D$	463.6	463.6	463.6	700
$\varnothing E$	320	325	375	560
F	10	12	12	10
G	M24	M24	M24	M22
H	200	200	200	200
J	60	60	60	60
K	104.15	104.15	104.15	104.15
L	24	24	24	-

## SPECIFICATIONS

	IC-2432	IC-3232	IC-3237	IC-4056
Max. Static Gripping Force [kN(kgf)]	30(3056)	32.4(3300)	32.4(3300)	36(3700)
Clamping Range External [ $\varnothing$ mm]	550	750	750	920
Clamping Range Internal [ $\varnothing$ mm]	550	730	730	840
Max. r.p.m. [ $\text{min}^{-1}$ ]	800	600	600	480
Weight [kg]	340	463	490	660
Moment of inertia [ $\text{N} \cdot \text{m}^2(\text{kg} \cdot \text{m}^2)$ ]	61.74(6.3)	382(39)	382(39)	-

※ Soft & Hard jaws are basic components.

※ Specifications are subject to change without notice.