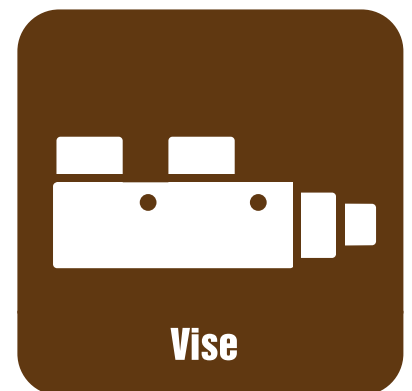


VICES



Power Vise

Power Vise Features

PCV (Standard Power Vise)

PSV (Short-Type Power Vise)

PLV (Long-Stroke Power Vise)

PDV (Direct Drive Power Vise)

DDV (Draw-Down Type Power Vise)

116.

117.

118.

119.

120.

121.

Machine Vise

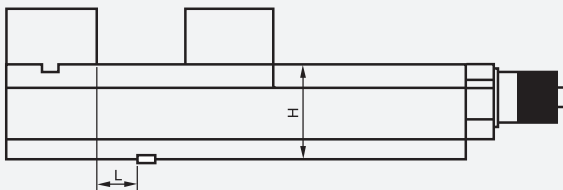
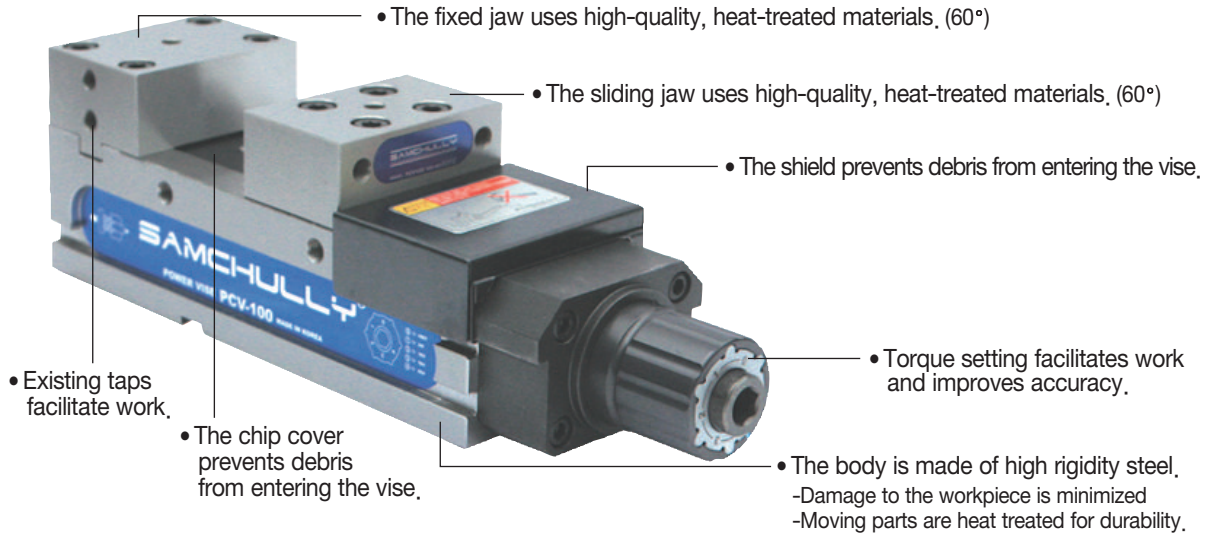
VS (Standard Machine Vise)

MMV (Mechanical Machine Quick Vise)

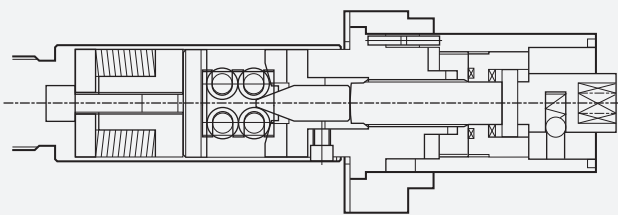
122.

123.

POWER VISE FEATURES

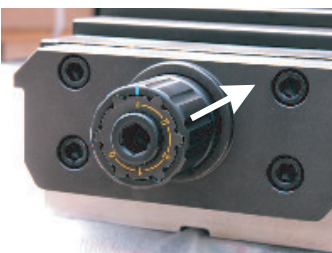


- Multiple vises can be used in tandem.
 - Specified measurements are accurate within 0,01mm.
 - Accuracy for long work pieces is consistent.



- Large opening
 - Suitable for work on multiple-size workpieces.
- Maintains strong grip during machining.
 - Mechanical booster allow predetermined torque to be applied.
 - Torque setting is user-friendly, one-touch technology.
- Suitable for work pieces of varying sizes and specifications.
- Minimizes lifting / bowing of the workpiece.
 - Maintains high accuracy.
- Includes a mechanical booster for high-accuracy torque setting.

• How To Set The Torque



1. Push in the adjustable knob.



2. Rotate the adjustable knob to the required torque setting.



3. Release the adjustable knob to lock in the setting.

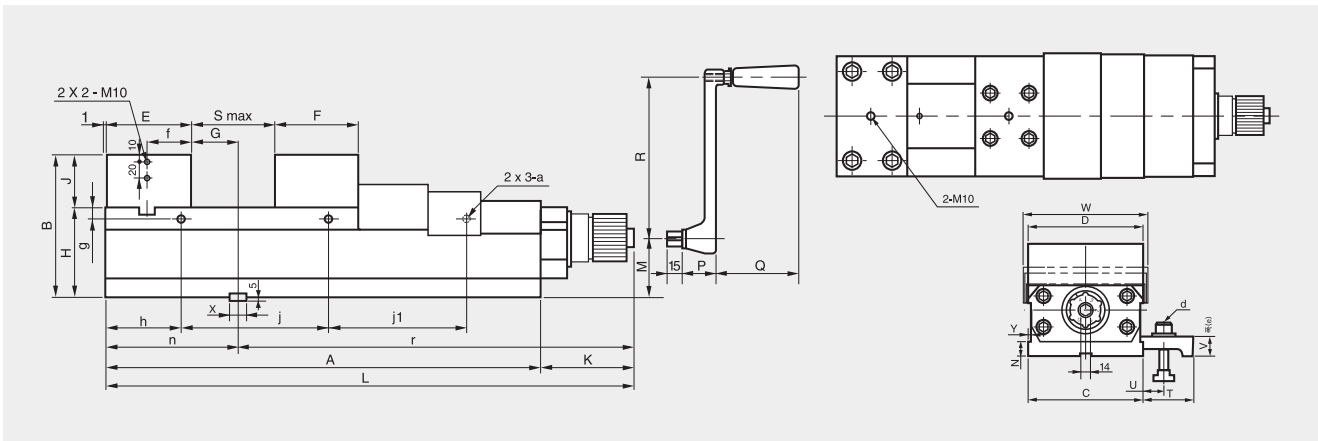
PCV

Standard Power Vise



■ Precision power vise with adjustable torque

POWER VISE



Dimensions

	A	B	C	D	E	F	G	H	J	K	L	M	N	P	Q	R	S
PCV-100(4")	295	115	101	100	73	64	38.5	75	40	105.5	400.5	43	15	37	95	180	150
PCV-125(5")	400	135	126	125	84	76	60	85	50	105.5	505.5	50	21	37	95	180	230
PCV-160(6")	490	160	161	160	94	86	50	100	60	105.5	595.5	65	21	37	95	180	300
PCV-200(8")	533	180	202	200	102	98	74	110	70	105.5	638.5	75	21	37	95	180	320
PCV-250(10")	705	195	252	250	120	120	100	115	80	105.5	810.5	75	21	37	95	180	450

	T	U	V	W	X	Y	a	b	e	f	g	h	j	j1	j2	n	r
PCV-100(4")	60	14~26	22.5	107	14	6	M10	M12 X 45	35	36.5	12	95	105	-	-	112.5	288.0
PCV-125(5")	72	15~31	30	135	18	6	M10	M16 X 65	45	42	12	95	105	105	-	145	360.5
PCV-160(6")	72	15~31	30	170	18	7	M10	M16 X 65	45	47	12	105	140	140	-	145	450.5
PCV-200(8")	72	15~31	30	214	18	7	M10	M16 X 65	45	51	12	126	141	141	-	177	461.5
PCV-250(10")	72	15~31	30	267	22	7	M10	M20 X 65	45	60	12	140	140	140	140	221	589.5

Specifications

	Jaw Width	Jaw Height	Max. Opening	Total Height	Slider Height	Total Width	Total Length	Max. Gripping Force KN (kgf)	weight kgf
PCV-100(4")	100	40	150	115	75	107	400	25(2551)	25
PCV-125(5")	125	50	230	135	85	135	505	35(3571)	43
PCV-160(6")	160	60	300	160	100	170	595	60(6122)	65
PCV-200(8")	200	70	320	180	110	214	638	60(6122)	100
PCV-250(10")	250	80	450	195	115	267	810	80(8163)	150

※ Specifications are subject to change without notification.

Application Chuck

Power Chuck

Manual Chuck

Rotary Cylinder

Steady Rest

NC Rotary Table

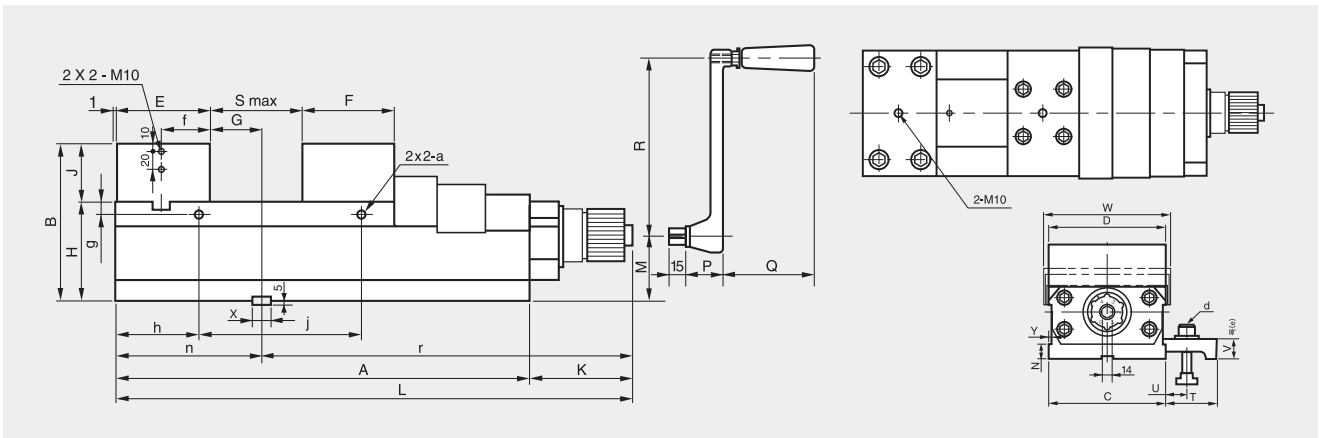
Vise

Replacement Accessories



- Short-body precision power vise with adjustable torque

POWER VISE



Dimensions

	A	B	C	D	E	F	G	H	J	K	L	M	N	P	Q	R	S
PSV-125(5")	295	135	126	125	84	76	60	85	50	105.5	400.5	50	21	37	95	180	125
PSV-160(6")	350	160	161	160	94	86	50	100	60	105.5	455.5	65	21	37	95	180	160

	T	U	V	W	X	Y	a	b	e	f	g	h	j	j1	j2	n	r
PSV-125(5")	72	15~31	30	135	18	6	M10	M16 X 65	45	42	12	95	105	105	-	145	150
PSV-160(6")	72	15~31	30	170	18	7	M10	M16 X 65	45	47	12	105	140	140	-	145	450.5

Specifications

	Jaw Width	Jaw Height	Max. Opening	Total Height	Slider Height	Total Width	Total Length	Max. Gripping Force KN (kgf)	weight kgf
PSV-125(5")	125	50	125	135	85	135	400.5	35 (3571)	41
PSV-160(6")	160	60	160	160	100	170	455.5	60 (6122)	62

※ Specifications are subject to change without notification.

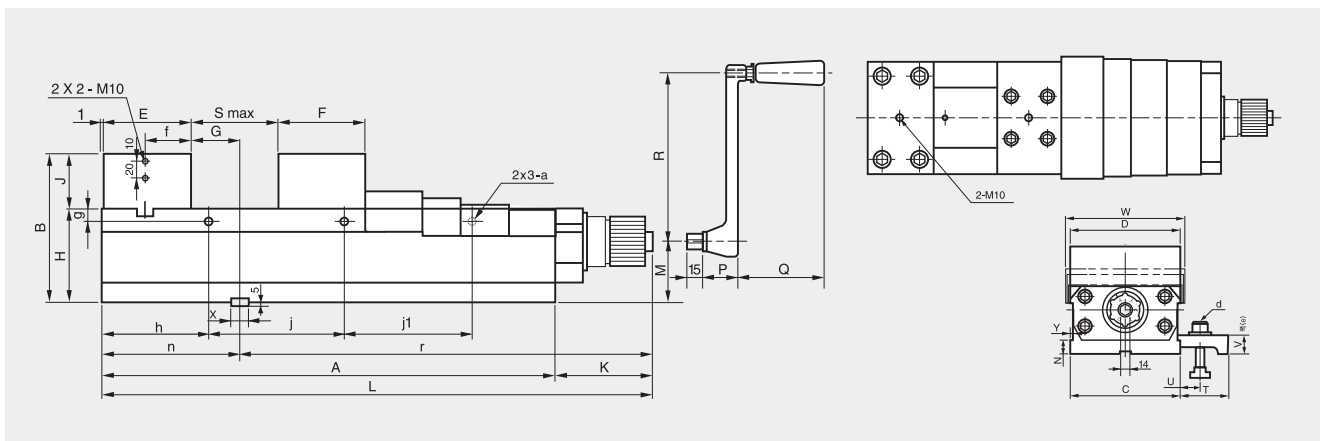
PLV

Long Stroke Power Vise



POWER VISE

- Long-body precision power vise with adjustable torque



Dimensions

	A	B	C	D	E	F	G	H	J	K	L	M	N	P	Q	R	S
PLV-125(5")	595	135	126	125	84	76	60	85	50	105.5	700.5	50	21	37	95	180	230
PLV-160(6")	542	160	161	160	94	86	82	100	60	105.5	647.5	65	21	37	95	180	354
PLV-200(8")	618	180	202	200	102	98	74	110	70	105.5	723.5	75	21	37	95	180	405

	T	U	V	W	X	Y	a	b	e	f	g	h	j	j1	n	r
PLV-125(5")	72	15-31	30	135	18	6	M10	M16 X 65	45	42	12	95	202.5	202.5	280	360.5
PLV-160(6")	72	15-31	30	170	18	7	M10	M16 X 65	45	47	12	117	150	150	177	470.5
PLV-200(8")	72	15-31	30	214	18	7	M10	M16 X 65	45	51	12	126	183	183	177	546.5

Specifications

	Jaw Width	Jaw Height	Max. Opening	Total Height	Slider Height	Total Width	Total Length	Max. Gripping Force KN (kgf)	weight kgf
PLV-120(5")	125	50	420	135	85	135	700.5	35 (3571)	47
PLV-160(6")	160	60	354	160	100	170	647.5	60 (6122)	70
PLV-200(8")	200	70	405	180	110	214	723.5	60 (6122)	110

※ Specifications are subject to change without notification.

Application Chuck

Power Chuck

Manual Chuck

Rotary Cylinder

Steady Rest

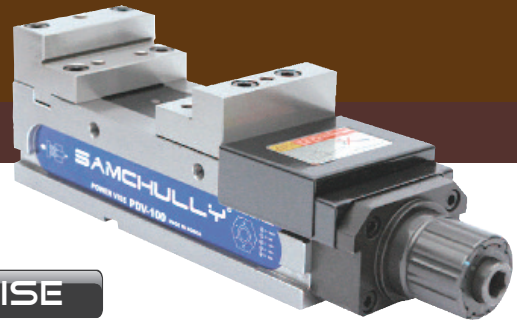
NC Rotary Table

Vise

Replacement Accessories

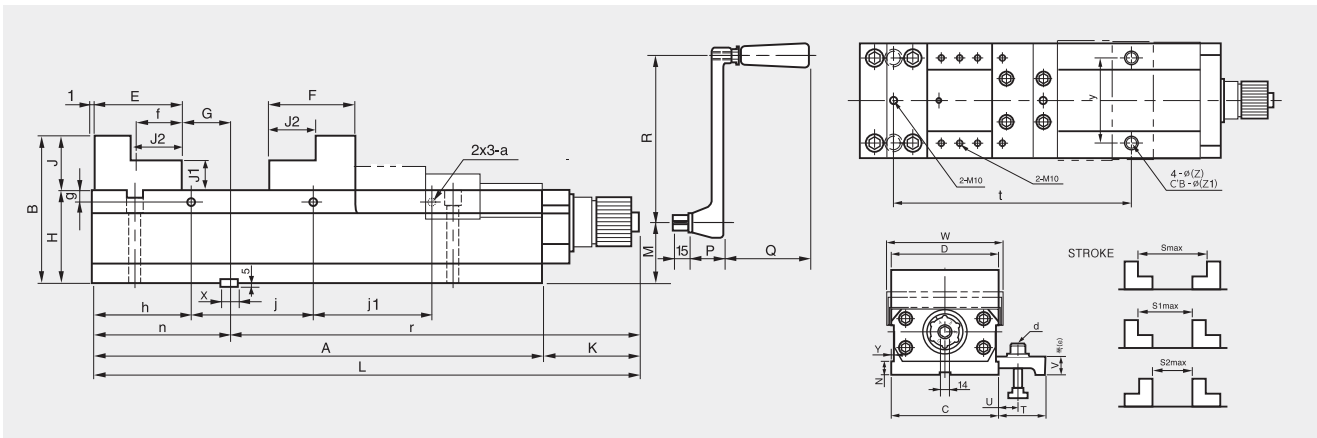
PDV

Direct Drive Power Vise



- Step-jaw precision power vise with adjustable torque

POWER VISE



Dimensions

	A	B	C	D	E	F	G	H	J	J1	J2	K	L	M	N	P	Q	R	S	S1	S2
PDV-100(4")	295	115	101	100	73	64	38.5	75	40	20	35	105.5	400.5	43	15	37	95	180	220	185	150
PDV-125(5")	400	135	126	125	84	76	60	85	50	25	45	105.5	505.5	50	21	37	95	180	320	275	230
PDV-160(6")	490	160	161	160	94	86	50	100	60	30	50	105.5	595.5	65	21	37	95	180	400	350	300
PDV-200(8")	533	180	202	200	102	98	74	110	70	35	50	105.5	638.5	75	21	37	95	180	420	370	320

	T	U	V	W	X	Y	a	d	e	f	g	h	j	j1	n	r	t	y	z	z1
PDV-100(4")	60	14~26	22.5	107	14	6	M10	M12 X 45	35	36.5	12	95	105	-	112.5	288.0	212	76	11	17
PDV-125(5")	72	15~31	30	135	18	6	M10	M16 X 65	45	42	12	95	105	105	145	360.5	321	92	11	17
PDV-160(6")	72	15~31	30	170	18	7	M10	M16 X 65	45	47	12	105	140	140	145	450.5	255	122	17	25
PDV-200(8")	72	15~31	30	214	18	7	M10	M16 X 65	45	51	12	126	141	141	177	461.5	375	150	17	25

Specifications

	Jaw Width	Jaw Height	Max. Opening	Total Height	Slider Height	Total Width	Total Length	Max. Gripping Force KN (kgf)	weight kgf
PDV-100(4")	100	40	220	115	75	107	400.5	25(2551)	25
PDV-125(5")	125	50	320	135	85	135	505.5	35(3571)	43
PDV-160(6")	160	60	400	160	100	170	595.5	60(6122)	65
PDV-200(8")	200	70	420	180	110	214	638.5	60(6122)	100

* Specifications are subject to change without notification.

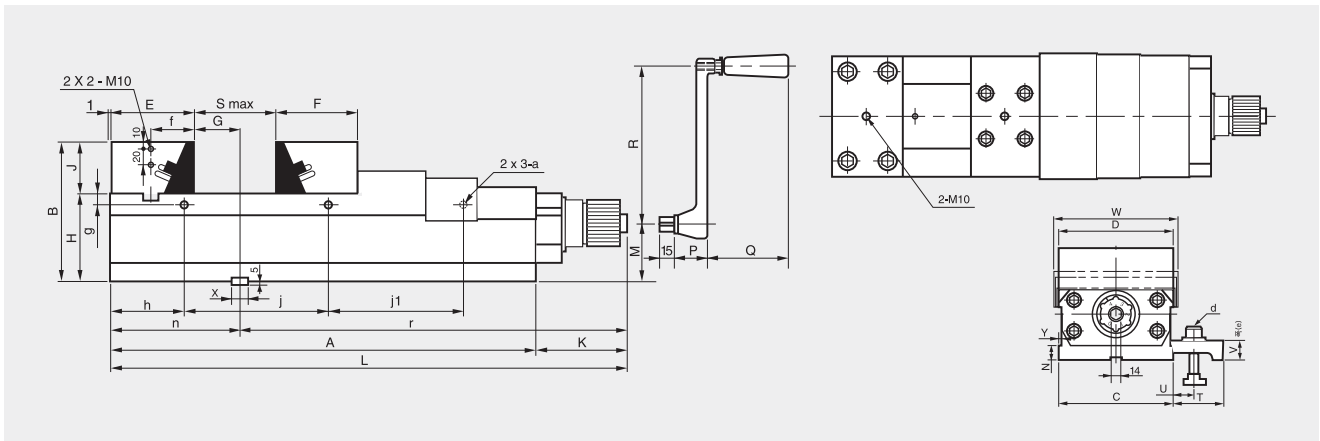
DDV

Draw-Down Type Power Vise



POWER VISE

- Draw-down precision power vise with adjustable torque



Dimensions

	A	B	C	D	E	F	G	H	J	K	L	M	N	P	Q	R	S
DDV-160(6'')	490	160	161	160	120	112	24	100	60	105.5	595.5	65	21	37	95	180	248

	T	U	V	W	X	Y	a	b	e	f	g	h	j	j1	j2	n	r
DDV-160(6'')	72	15~31	30	170	18	7	M10	M16 X 65	45	47	12	105	140	140	-	145	450.5

Specifications

	Jaw Width	Jaw Height	Max. Opening	Total Height	Slider Height	Total Width	Total Length	Max. Gripping Force KN (kgf)	weight kgf
DDV-160(6'')	160	60	248	160	100	170	595	60 (6122)	70

* Specifications are subject to change without notification.

Application Chuck

Power Chuck

Manual Chuck

Rotary Cylinder

Steady Rest

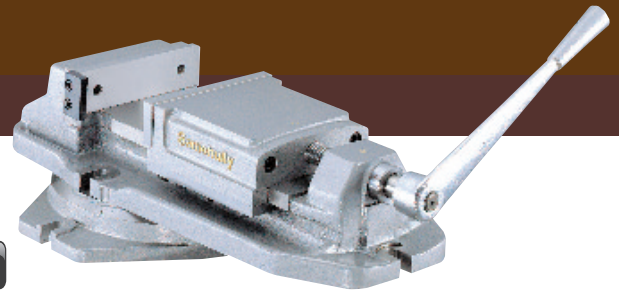
NC Rotary Table

Vise

Replacement Accessories

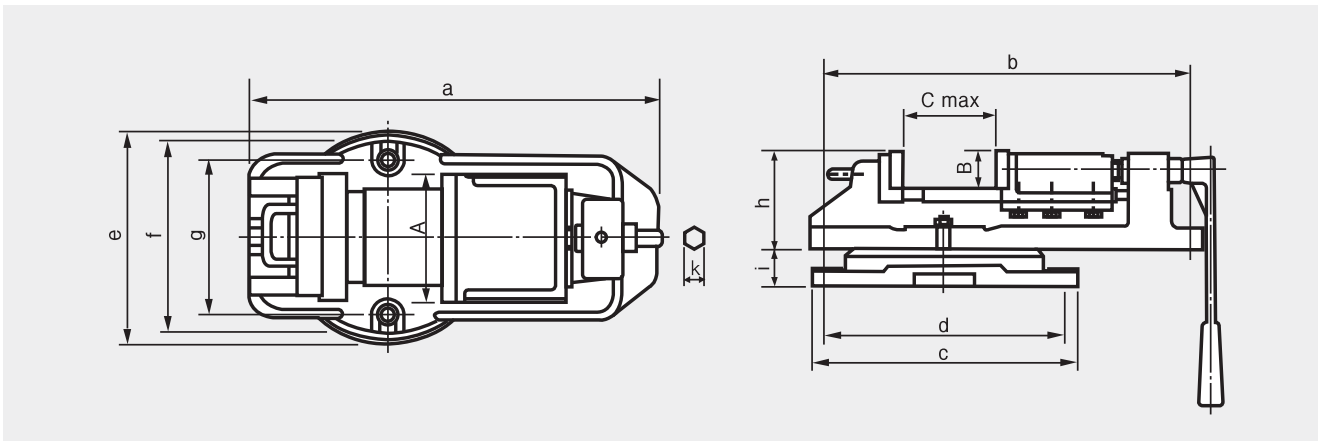
VS

Standard Machine Vise



■ Standard machine vise

MACHINE VISE



Dimensions & Specifications

	A	B	C	a	b	c	d	e	f	g	h	i	j	k	WEIGHT(kgf)		Operating Swivel Base
															BODY	TABLE	
VS-150(6")	150	45	110	470	440	320	288	245	220	180	115	45	283	18	34.0	10.8	SB-150T
VS-175(7")	175	50	132	547	518	350	318	280	245	198	120	50	340	21	46.7	14.5	SB-175T
VS-200(8")	200	55	160	618	573	400	358	316	280	228	128	55	340	21	57.5	20.5	SB-200T
VS-250(10")	250	75	199	760	716	450	406	370	332	278	168	60	380	22	110.0	36.5	SB-250T

※ Standard accessories include handle (1ea), socket(1ea), T-blocks(2ea), T-bolts(2sets).

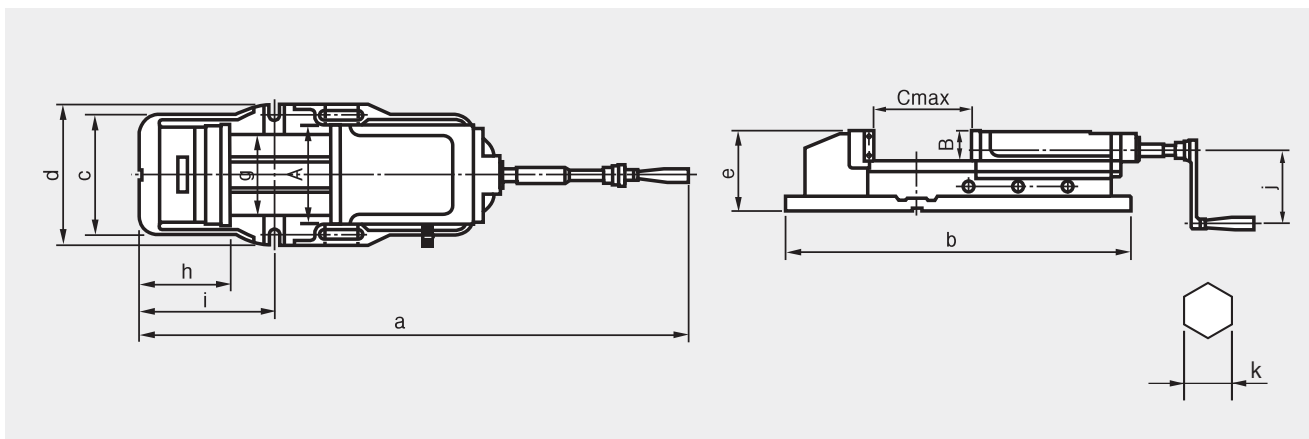
※ Swivel-base is optional.

※ Specifications are subject to change without notification.



■ 3-step mechanical machine quick vise

MACHINE VISE



Dimensions & Specifications

	A	B	C	a	b	c	d	e	g	h	i	j	k	GRIP TORQUE Max.(kg)	WEIGHT(kgf)		Operating Swivel Base
															BODY	TABLE	
MMV-150Q(6")	150	51	300	800	620	200	240	133	116	125	210	130	19	4,400	56.0	16.0	VS-175T
MMV-200Q(8")	200	62	300	900	700	240	280	162	160	165	266	130	19	6,500	94.0	23.0	VS-200T

※ Specifications are subject to change without notification.

Application Chuck

Power Chuck

Manual Chuck

Rotary Cylinder

Steady Rest

NC Rotary Table

Vise

Replacement Accessories