

3-JAW SCROLL CHUCK

三爪自定心卡盘 / 3爪連動チャック / 3-조오 연동척



1 • General Model This chuck, with both KS and JIS Standard, is most widely used for general purpose lathes. A separate adapter is used when attached to a lathe.

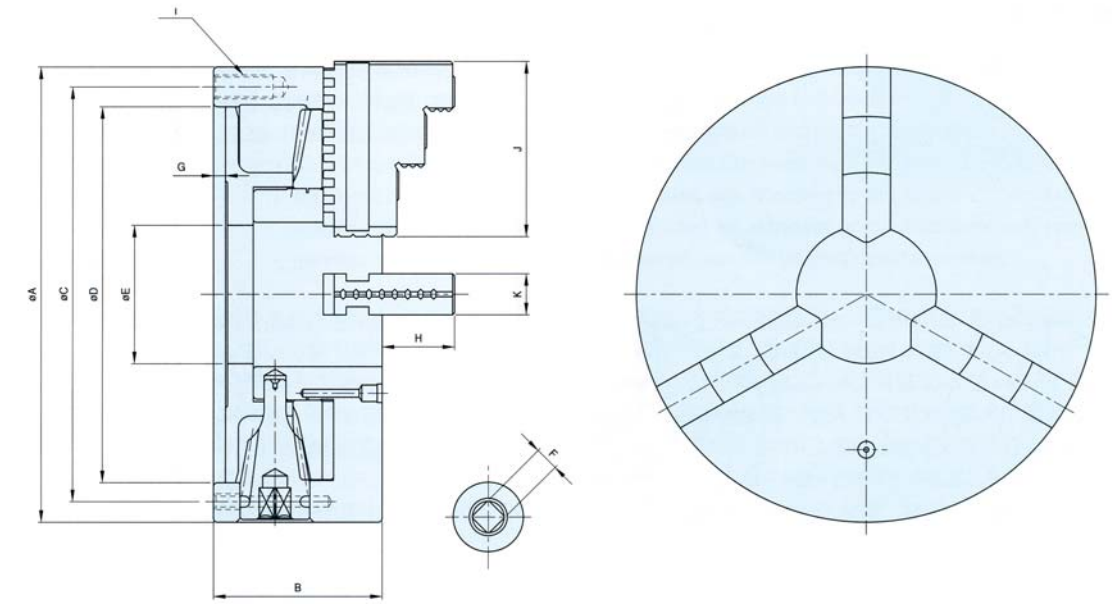
2 • High Quality & Long Durability Internal stress and deformation have been precluded by using high quality cast body. The major parts are made of heat-treated alloy steel. Good durability has been achieved due to extended abrasion resistance and improved quality. **3 • Compatibility** Compatibility of major parts such as a jaw has been enabled thank to quality standardization and precise dimension management. **4 • Parts** External jaws are attached to the chuck and internal jaws, fastening handles and mounting screws are included as standard parts.

1 • 普通型 : 此卡盘符合KS和JIS标准, 广泛用于普通用途的车床上, 用单独的转接法兰连接。
2 • 质量好, 使用寿命长 : 此卡盘盘体采用高质量铸铁材料, 因此, 可防止内应力产生的变形。其他附件采用经过严格热处理的合金钢材质, 因此具有质量高, 耐磨损, 使用寿命长的特点。
3 • 兼容性 : 由于质量, 规格和尺寸等符合统一规定的标准, 因此卡盘的主要附件如卡爪等具有兼容性。
4 • 随机附件 : 随机附件包括紧固扳手和安装螺栓, 硬爪安装在卡盘体上, 若需其他类型附件, 请另行订购。

1 • 最も一般的なモデル 2 • 高品質 長い寿命 3 • 互換性 4 • 付属品

1 • 가장 일반적 모델 2 • 고품질 긴 수명 3 • 호환성 4 • 부속품

Outward Drawing / 外型图 / 外形图 / 외형도



Specifications / 规格 / 仕様表 / 사양표

Spec. 사양 Model 형식	Order NO. 오더번호	Chuck size 척외경 mm	Thru-hole Dia 관통경 mm	Gripping Force 파악력 kgf	Gripping Dia 파악경				Weight 중량 kg	Max. permissible speed 최고사용회전수 r.p.m.(min ⁻¹)
					External (Ø)		Internal (Ø)			
					MAX. mm	MIN. mm	MAX. mm	MIN. mm		
MS-3	00103E	85	16	900	70	2	64	24	1.5	2500
MS-4	00104E	110	24	1200	95	3	84	29	3.5	2500
MS-5	00105E	130	32	1500	110	3	100	33	4.5	2500
MS-6	00106E	165	45	3000	160	3	150	48	7.5	4000
MS-7	00107E	190	55	3600	180	4	170	56	11.5	3500
MS-9	00109E	230	70	3900	220	5	210	62	19	2900
MS-10	00110E	273	85	4500	260	5	250	70	26	2500
MS-12	00112E	310	96	5400	300	10	290	86	38	2200
MS-14	00114E	355	100	4050	315	25	290	107	54	1500

Dimension / 尺寸 / 寸法表 / 치수표

Item 항목 Model 형식	A	B	C	D	E	F	G	H	I	J	K
MS-3	85	45	73	60	16	7	3.5	14.6	3-M6	35	11
MS-4	110	58	95	80	24	8	4.5	17.6	3-M8	42	14
MS-5	130	60	115	100	32	8	4.5	20	3-M8	50	16
MS-6	165	65	147	130	45	10	5	25	3-M10	65	19
MS-7	190	75	172	155	55	11	5	30	3-M10	75	22
MS-9	230	84	210	190	70	12	6	35	3-M12	85	24
MS-10	273	86	250	230	85	12	6	40	3-M12	98	28
MS-12	310	96	285	260	96	14	7	45	3-M12	110	30
MS-14	355	110	328	300	100	14	7	63	6-M12	133	35

Model Description / 型号说明 / 型式番号表示 / 형식번호 표시

MS -
 Chuck Size

- Blank | Standard
- T | 2-jaw type
- F | 4-jaw type
- S | 6-jaw type
- U | Two piece jaw type

MST · MSF · MSS 2-JAW, 4-JAW, 6-JAW SCROLL CHUCK

两爪, 四爪, 六爪自定心卡盘/2爪, 4爪, 6爪連動チャック/2-조, 4-조, 6-조연동척



• **Clamping Irregular Works** Diverse scroll chucks suitable for all shape of works are available, which can give you the improved precision and productivity. Since it is manufactured and managed the same as the standard MS type scroll chuck, it guarantees high quality, long durability and compatibility. It is classified into 2.Jaw (MST), 4.Jaw(MSF) and 6.Jaw(MSS) in accordance with the number of attached jaws.

夹紧不规则工件：不同种类的自定心卡盘可夹紧各种形状的工件，且夹紧精度高，工作效率更高。此卡盘与MS型卡盘具有同样的生产加工标准，因此具有质量高，使用寿命长和兼容性强的特点。根据卡盘上卡爪数目的不同，可分为两爪(MST)，四爪(MSF)，和六爪(MSS)自定心卡盘。

異形工作物把握 - 工作物の各形状に合う連動チャックを選定するので、加工精度と生産性が向上します。標準型MS型連動チャックと同じように製作し管理されているので高品質、長寿命、互換性等が良好です。取付けできる爪の数により2つ爪(MST), 4つ爪(MSF), 6つ爪(MSS)に区分されます。

이형공작물 파악 · 공작물의 각 형상에 맞는 연동척을 선정하므로 가공정밀도의 향상 및 생산성이 향상됩니다. 표준형 MS형 연동척과 동일하게 제작되고 관리되므로 고품질, 긴 수명, 호환성 등이 양호합니다. 부착되는 조오의 수량에 따라 2조오(MST), 4조오(MSF), 6조오(MSS)로 구분됩니다.

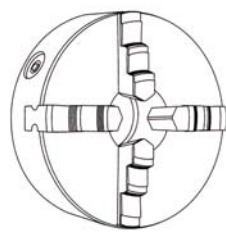


2 Jaw Scroll Chuck (MST-Type)
• Good for machining irregular workpieces such as valve parts, pipe connection parts, etc.

2爪联动卡盘：加工阀门零件类，管子接头零件类等异形加工物时，发挥其卓越的性能。

2爪連動チャック

2 조오 연동척 (MST-Type)

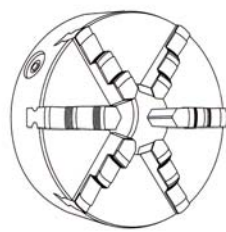


4 Jaw Scroll Chuck (MSF-Type)
• It is convenient for machining square workpieces. It minimizes the deformation of thin circular workpieces such as pipes.

4爪联动卡盘：为了方便的加工正四角形的材料而制作的，并具备在加工管子等较薄的圆形加工品时，变形率达到最小化的优点。

4爪連動チャック

4 조오 연동척 (MSF-Type)



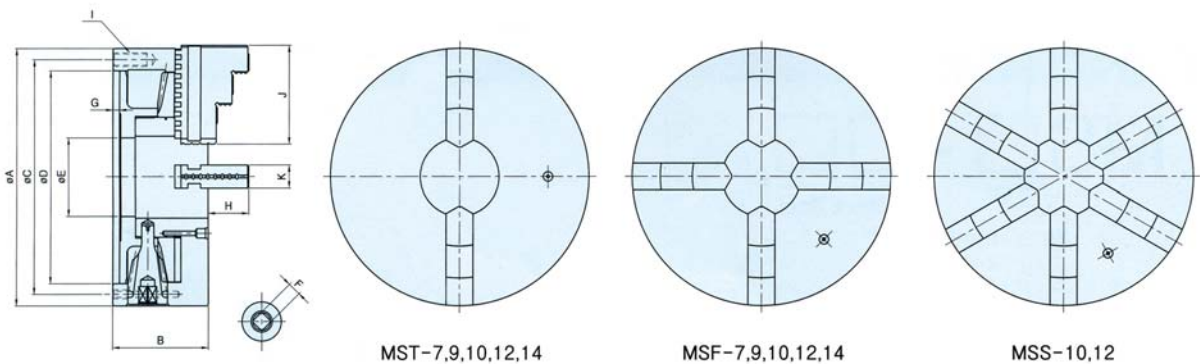
6 Jaw Scroll Chuck (MSS-Type) • It is convenient for machining hexagonal workpieces and suitable for heavy duty machining that requires strong gripping force. It minimizes the deformation of thin circular workpieces such as pipes.

6爪联动卡盘：六角形材料加工简易，在要求中切削等强烈的掌握力时使用的型号。并具备在加工管子等较薄的圆形加工品时，变形率达到最小化的优点。

6爪連動チャック

6 조오 연동척 (MSS-Type)

Outward Drawing/外型图/外刑图/외형도



Dimension/尺寸/寸法表/치수표

Model 형식	Item 항목	A	B	C	D	E	F	G	H	I	J	K
MST-7MSF-7		190	75	172	155	55	11	5	30	3-M10	75	22
MST-9MSF-9		230	84	210	190	70	12	6	35	3-M12	85	24
MST-10 MSF-10 MSS-10		273	86	250	230	85	12	6	40	3-M12	98	28
MST-12 MSF-12 MSS-12		310	96	285	260	96	14	7	45	3-M12	110	30
MST-14 MSF-14		355	110	328	300	100	14	7	63	6-M12	133	35

MSU

TWO PIECE JAW SCROLL CHUCK

分体卡爪式平面螺旋自定心卡盘/爪分離型連動チャック/조오 분리형 연동척



1 • Jaw Detachable Scroll Chuck It has an improved structure from standard scroll chuck model so that jaws can be detached, and thus the scope of has been enlarged.

2 • Easy in Precise Processing It is good in exchanging preciseness by grinding serration part and is very easy in precise processing since it use formed soft jaws.

3 • Contribution for Increasing Performance With hard jaws attached to the entity, you can perform internal/external clamping(circular sticks and ring type) without replacing jaws so that the performance is improved. **4 • High Quality, Long Durability** High quality casting body prevents the stress and deformation, and since the major parts are made of heat-treated alloy steel, the abrasion resistance, quality and the durability are improved and extended. **5 • Compatibility** Attached parts, specification and size are the same with MS Type, and the Jaw configuration is improved to increase the work performance. Jaws are easy to replace, and the major parts of scroll chuck and jaws are compatible with MS's so that the work scope is wide. Uniformity in quality and the exact size management make the exchange of major parts possible. **6 • Parts** Hard jaws are attached to the chuck and soft jaws, fastening handles and mounting screws are included as standard parts. Additional soft jaws, hard jaws, handles and MS Type internal and external jaws can be purchased separately.

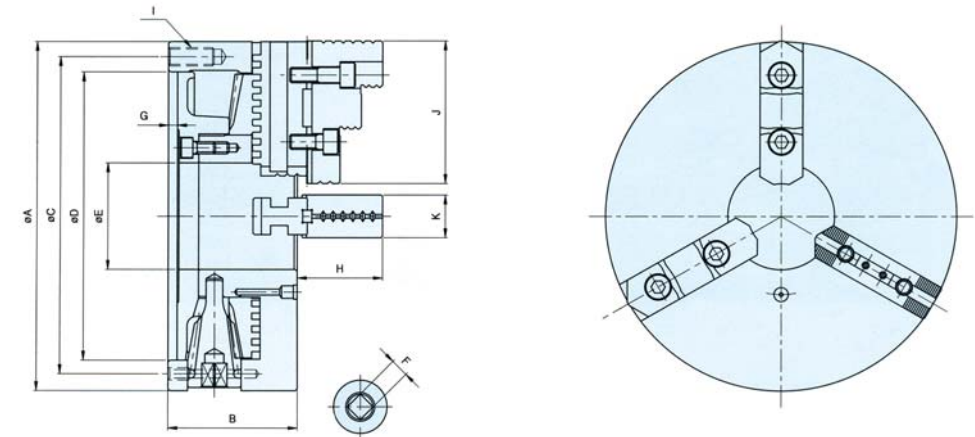
1 • 卡爪可拆开：此卡盘的结构在标准型自定心卡盘的基础上加以改进，卡爪可拆开，这样应用的范围更广泛。2 • 易于精加工：此卡盘借助研磨的细齿部分来改变精度，由于使用了成形的软爪，因此易于精加工。

3 • 性能提高：卡盘的硬爪与卡盘体相连，(在加工圆棒和环形工件时)不用重新更换卡爪，便可实现内夹紧或外夹紧，因此其性能大大提高。4 • 质量好，使用寿命长：此卡盘盘体采用高质量铸铁材料，因此，可防止内应力产生的变形。其他附件采用经过严格热处理的合金钢材质，因此具有质量高，耐磨损，使用寿命长的特点。5 • 兼容性：此卡盘的连接部件，规格，尺寸与MS型一致，且卡爪的结构得到改进，因此性能大大提高，卡爪易于更换，且此卡盘的主要附件和卡爪与MS型一致，具有统一的质量和精确的连接尺寸，因此具有兼容性。6 • 随机附件：随机附件包括紧固扳手和安装螺栓，硬爪安装在卡盘体上，若需其他类型附件，请另行订购。

1 • 爪分離型連動チャック 2 • 精密加工容易 3 • 生産性向上に寄与 4 • 高品質、長寿命 5 • 互換性 6 • 付属品

1 • 조오 분리형 연동척 2 • 정밀가공 용이 3 • 생산성 향상에 기여 4 • 고품질, 긴수명 5 • 호환성 6 • 부속품

Outward Drawing/外型图/外刑图/외형도



Specifications/规格/仕様表/사양표

Spec. 사양	Order NO. 오더번호	Chuck size 척외경 mm	Thru-hole Dia 관통경 mm	Gripping Force 파악력 kgf	Gripping Dia 파악경				Weight 중량 kg	Max. permissible speed 최고사용회전수 r.p.m.(min ⁻¹)
					External (∅)		Internal (∅)			
					MAX. mm	MIN. mm	MAX. mm	MIN. mm		
MSU-7	01507E	190	55	3600	180	4	62	170	13	3500
MSU-9	01509E	232	70	3900	220	5	70	210	22	2900
MSU-10	01510E	273	85	4500	260	5	80	250	29	2500
MSU-12	01512E	310	96	5400	300	10	90	290	38	3200

Dimension/尺寸/寸法表/치수표

Model 형식	Item 항목	A	B	C	D	E	F	G	H	I	J	K
MSU-7		190	76	172	155	55	11	5	38.3	3-M10	88	28
MSU-9		232	84	210	190	70	12	6	48.9	3-M12	100	31.5
MSU-10		273	87	250	230	85	12	6	52.2	3-M12	110	35
MSU-12		310	96	285	260	96	14	7	52.8	3-M12	125	40



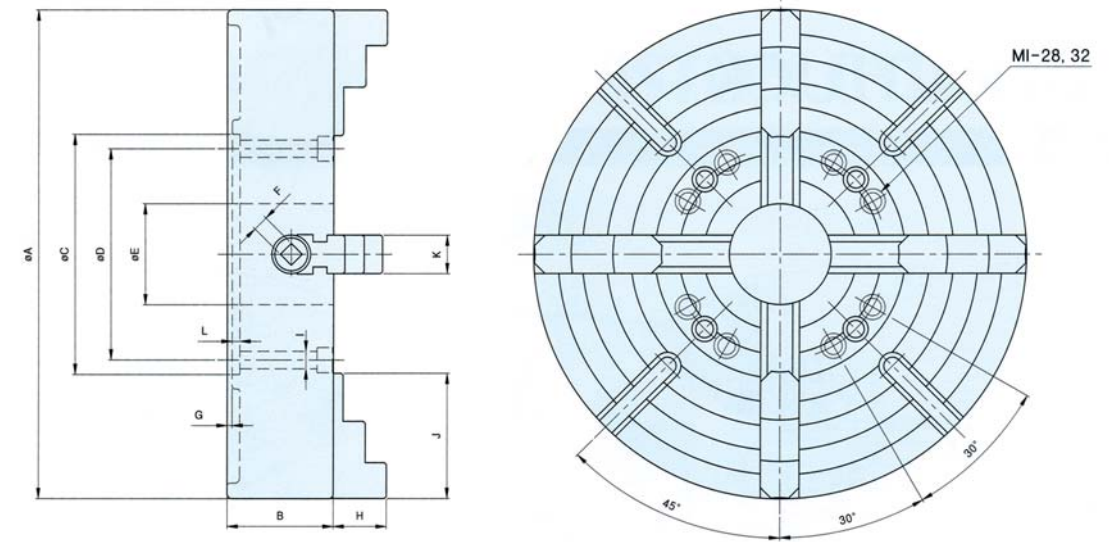
1 • General model It is the general KS and JIS Standard type chuck used to attach to lathe for general use. To attach it to lathe a additional adapter is needed. **2 • High Quality & Long Durability** Internal stress and deformation have been precluded by using high quality cast body. The major parts are made of heat-treated alloy steel, and good durability has been achieved due to extended abrasion resistance and improved quality. Also, strong power and big jaw width enhance the safety. **3 • Compatibility** Uniformity in quality and the exact size management make the exchange of major parts possible. **4 • Parts** A fastening handle and mounting screws are included as standard parts. **5 • Customization** For the large scale over 40", customized manufacturing is available.

1 • 普通型 : 此卡盘符合KS和JIS标准, 广泛用于普通用途的车床上. 当与车床连接时, 需要附加转接法兰. **2 • 质量好, 使用寿命长** : 此卡盘盘体采用高质量铸铁材料, 因此可防止内应力产生的变形. 其他附件采用经过严格热处理的合金钢材质, 因此具有质量高, 耐磨损, 使用寿命长的特点. 此卡盘还具有强大的夹紧力和宽大的卡爪, 因此确保夹紧牢固. **3 • 兼容性** : 由于质量统一, 规格标准, 尺寸精确, 因此卡盘的主要附件具有兼容性. **4 • 随机附件** : 随机附件包括紧固扳手和安装螺栓. **5 • 可特殊订货** : 规格大于40"的, 可按客户要求定制.

1 • 最も一般的なモデル **2 • 高品質, 長寿命** **3 • 互換性** **4 • 付属品** **5 • お客様方々によるサービス**

1 • 가장 일반적 모델 **2 • 고품질 긴 수명** **3 • 호환성** **4 • 부속품** **5 • 맞춤서비스**

Outward Drawing / 外形图 / 外刑图 / 외형도



Dimension / 尺寸 / 寸法表 / 치수표

Model / 品名	A	B	C	D	E	F	G	H	I	J	K	L
MI-6	150	60	130	115	40	8	-	25	4-M10	55	25	5
MI-8	200	75	175	155	50	10	-	30	4-M12	75	30	6
MI-10	250	80	150	125	55	10	2.5	35	4-M12	90	30	6
MI-12	300	90	170	140	65	12	3	40	4-M12	100	35	6
MI-14	350	90	190	160	75	12	3	45	4-M12	110	35	8
MI-16	400	100	210	180	90	14	5	50	4-M16	120	40	8
MI-18	450	105	230	200	100	14	5	55	4-M16	130	40	8
MI-20	500	110	250	220	110	14	5	60	4-M16	140	45	8
MI-24	600	120	300	260	120	15	10	70	4-M20	160	50	10
MI-28	710	120	350	300	140	14	8	70	8-M20X2.5	180	50	12
MI-32	813	120	400	350	140	14	8	70	8-M20X2.5	180	50	12
MI-40	1000	175	460	510	190	17	1	88	6-M24X3.0	196	55	14

Model Description / 型号说明 / 型式番号表示 / 형식번호 표시

MI - □ □
Chuck Size



Specifications / 规格 / 仕様表 / 사양표

Spec. 사양 / Model 형식	Order N.O. / 오더번호	Chuck size / 척외경 mm	Thru-hole Dia / 관통경 mm	Gripping Force / 파악력 kgf	Max Gripping Dia / 최대파악경 mm	Weight / 중량 kg	Max. permissible speed / 최고사용회전수 r.p.m (min ⁻¹)
MI-6	00706	150	40	600	140	6.1	1600
MI-8	00708	200	50	1000	185	14.8	1600
MI-10	00710	250	55	1400	220	21	1600
MI-12	00712	300	65	1600	265	29.5	1400
MI-14	00714	350	75	1700	310	40	1400
MI-16	00716	400	90	2000	360	56.5	1200
MI-18	00718	450	100	2000	405	70	1200
MI-20	00720	500	110	2200	450	90	900
MI-24	00724	600	120	2300	550	150	900
MI-28	00728	710	140	2350	650	220	700
MI-32	00732	813	140	2400	755	270	600
MI-40	00740	1000	190	3100	910	550	500