

CAH

BIG BORE POWER CHUCK

大通孔动力卡盘/高速中空型 파워-챱/고속중공형 파워척



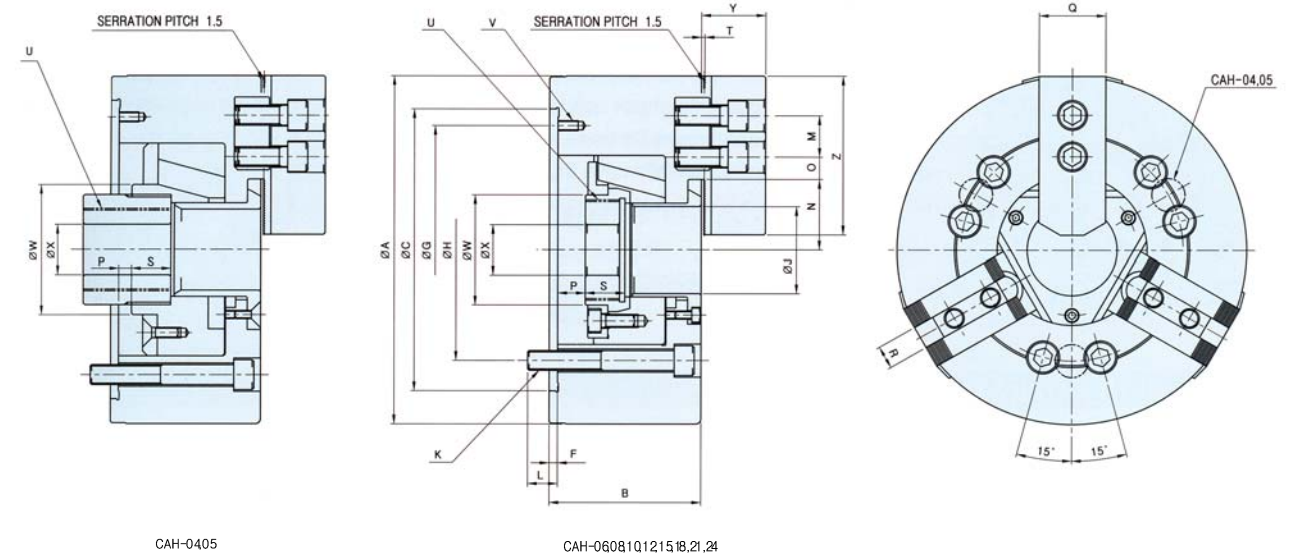
1 • High Gripping Force By sharply increasing dynamic gripping force, work efficiency and safety have been greatly improved. **2 • High Speed** Strong gripping force and safety of performance are secured by optimal design, and high speed rotation is achieved. **3 • Light Weight** Equipment load has been reduced by weight reduction, and efficiency has been increased for fitful work and for both forward and reverse operations. **4 • Durability** Heat treatment is performed to alloy steel, and high accuracy, high strength and high durability are realized by improving lubrication system.

1 • 夹紧力强: 借助瞬间增强动态夹紧力的方式使工作效率和安全性得到加强. **2 • 速度快**: 最佳设计确保了强有力的夹紧和安全快速的运转. **3 • 重量轻**: 卡盘的重量减轻, 因此卡盘频繁启动和正反转的效率大大提高. **4 • 耐磨损**: 此卡盘采用经过特殊热处理的合金钢为材质, 通过改善润滑条件, 使其具备高精度, 高强度和高耐磨的特点.

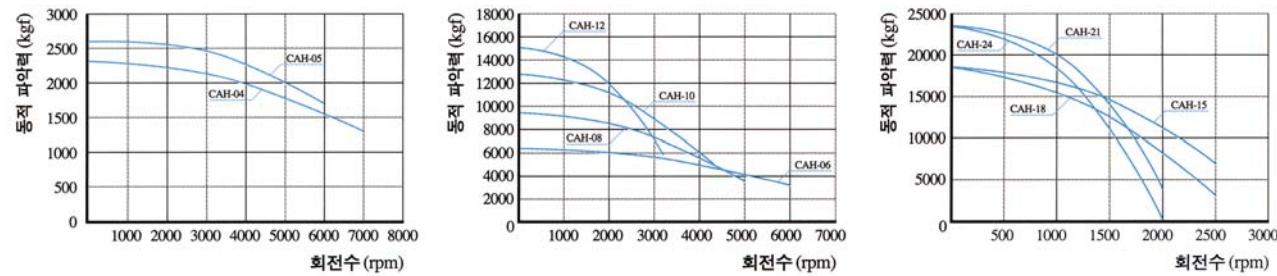
1 • 高い把握力 **2 • 高速化実現** **3 • 軽量化実現** **4 • 耐久性確保**

1 • 높은 파악력 **2 • 고속화 실현** **3 • 경량화 실현** **4 • 내구성 확보**

Outward Drawing / 外形图 / 外刑图 / 외형도



Dynamic Gripping Force / 动夹紧力 / 動的把握力 그래프 / 동적파악력 선도



Specifications / 规格 / 仕様表 / 사양표

Spec. 사양 Model 형식	Order NO. 오더번호	Spindle nose NO. 주축규격	Thru-hole (Diameter) 관통경(직경) mm	Jaw stroke (Diameter) 조 스트로크(직경) mm	Plunger stroke 플런저 스트로크 mm	Gripping Dia.(Extend gripping) 파악경(외경파악)mm		Max. permissible input force 허용 실린더력 KN(kgf)
						Max 최대	Min 최소	
CAH-05	1AH05	-	33	5.4	10	135	10	175(1784)
CAH-06	1AH06	A2-5	46	5.5	13	169	13	25(2500)
CAH-08	1AH08	A2-6	52	7.6	18	210	11	40(4080)
CAH-10	1AH10	A2-8	77	8.5	20	254	31	50(5100)
CAH-12	1AH12	A2-8	91	10.2	24	304	34	58(5916)
CAH-15	1AH15	A2-11	118	10.6	23	381	30	71(7240)
CAH-18	1AH18	A2-11	118	10.6	23	450	30	71(7240)
CAH-21	1AH21	A2-11, 15	140	10.6	23	530	87	90(9177)
CAH-24	1AH24	A2-11, 15	165	10.4	23	610	110	90(9177)

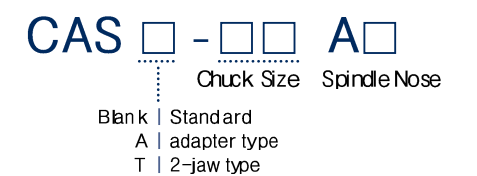
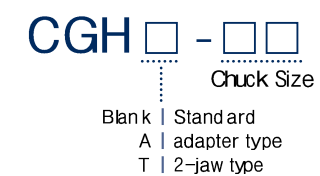
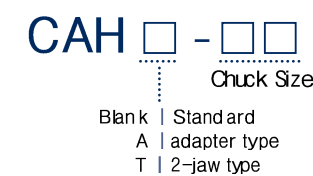
Spec. 사양 Model 형식	Max. static gripping force 최대 정적파악력 KN(kgf)	Max. permissible speed 최고 사용회 전수 r.p.m.(min ⁻¹)	Weight (With standard soft jaws) 중량표준소프트 조포함 kg	GD ² Moment of inertia N·m ² (kgf.m ²)	Matching cylinder 적용실린더	Matching hard jaw 적용하드조	Matching soft jaw 적용소프트조
CAH-05	36(3671)	7000	6.7	0.7(0.071)	YAH-05	HJ-04A1	SJ-05T1
CAH-06	63(6426)	6000	12.5	2.26(0.23)	YAH-06	HJ-06T1	SJ-06T1
CAH-08	94(9597)	5000	22.3	6.67(0.68)	YAH-08	HJ-08T1	SJ-08T1
CAH-10	125(12740)	4200	34.5	12.84(1.31)	YAH-10	HJ-10T1	SJ-10T1
CAH-12	147(15000)	3300	55.3	28.71(2.93)	YAH-12	HJ-12A1	SJ-12A1
CAH-15	180(18355)	2500	120	89.14(9.09)	YAH-15	HJ-15T1	SJ-15A1
CAH-18	180(18355)	2000	164	174.6(17.8)	YAH-15	HJ-15T1	SJ-15A1
CAH-21	234(23861)	1700	235	351.1(35.8)	YAH-15	HJ-21B1	SJ-21A1
CAH-24	234(23861)	1400	293	651.2(66.4)	YAH-15	HJ-21B1	SJ-21A1

Dimension / 尺寸 / 寸法表 / 치수표

Item 항목 Model 형식	A	B	C	F	G	H	J	K	L	M	N max	N min
CAH-05	135	60	110	4	96	82.6	33	3-M10	15	14	26.5	23.8
CAH-06	169	80	140	5	116	104.8	46	6-M10	12	20	33.5	30.7
CAH-08	210	91	170	5	150	133.4	52	6-M12	15	25	41.7	37.9
CAH-10	254	100	220	5	190	171.4	77	6-M16	17	30	54.5	50.3
CAH-12	304	115	220	6	190	171.4	91	6-M16	18	30	67.4	62.3
CAH-15	381	133	300	6	260	235	118	6-M20	30	43	82	76.7
CAH-18	450	133	380	6	320	235	118	6-M20	30	43	82	76.7
CAH-21	530	140	380	6	330.2	330.2	140	6-M22	34	60	98.5	93.2
CAH-24	610	149	380	6	330.2	330.2	165	6-M22	32	60	108.4	103.2

Item 항목 Model 형식	O max	O min	P max	P min	Q	R	S	T	U max	V	W	X	Y	Z
CAH-05	19.75	7.75	1	-9	23	10	20	2	M40X1.5	3-M6	45	20	26	54
CAH-06	23	10	12	-1	31	12	19	2	M55X2.0	3-M6	60	20	33	72
CAH-08	27	10	16.5	-1.5	39	14	20.5	2	M60X2.0	3-M6	66	30	39	95
CAH-10	31	12	9.5	-10.5	44	16	27	2	M85X2.0	3-M8	94	30	46	110
CAH-12	42	12	10	-14	50	21	28	2.5	M100X2.0	3-M8	108	30	51.8	111
CAH-15	43.8	18.3	11	-12	62	22	39	5	M130X2.0	3-M10	139	60	70	165
CAH-18	73.8	18.3	11	-12	62	22	39	5	M130X2.0	3-M10	139	60	70	165
CAH-21	87.5	21.5	11	-12	65	25	39	5	M155X3.0	3-M12	170	80	73	180
CAH-24	117.5	21.5	20	-3	65	25	40	5	M175X3.0	3-M12	187	80	73	180

Model Description / 型号说明 / 型式番号表示 / 형식번호 표시



CAHA

BIG BORE POWER CHUCK (SHORT TAPER)

大通孔动力卡盘(短锥型)/高速中空型パワーチャック(アダプター付)/고속중공형 파워척(아답터 부착형)



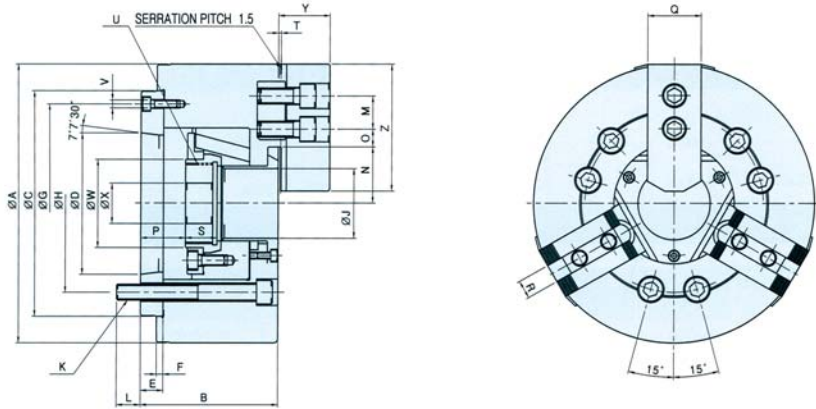
- 1 • High Performance and High Accuracy Adapter is attached to CAH power chuck Performance and quality are identical CAH and its parts are compatible each other.
- 2 • Spindle Direct-Mounting Type International standard A-type spindle specification is applied to the mounting face, so it is possible to directly attach to short taper spindle.
- 3 • Shortening of changing time Time of changing chuck can be minimized as run-out accuracy is kept upon attachment.
- 4 • Convenient Attachment Option Because adapters suitable to various spindle specifications can be manufactured and attached, the scope of application is extensive.

1 •性能好, 精度高: CAH型卡盘是在CAH型卡盘上附带转接法兰以实现直接安装, 因此其性能, 质量与CAH卡盘一致, 且配件具有兼容性. 2 •直接安装型: 可直接安装在符合国际标准A型主轴的短锥安装面上. 3 •换装方便: 若更换附件可在最短的时间内, 达到其运行的精度要求. 4 •便于安装选择: 可通过转接法兰与各种不同规格的主轴连接, 扩大了其使用范围.

1 •高性能, 高精度 2 •스핀들 직장형 3 •교환시간 단축 4 •편리한取り付け 옵션

1 • 고성능 · 고정도 2 • 스펀들 직장형 3 • 교체시간 단축 4 • 부착옵션 용이

Outward Drawing/外型图/外形图/외형도



Dimension/尺寸/寸法表/치수표

Model/형식	A	B	C	D	E	F	G	H	J	K	L	M	Nmax	Nmin	Omax	Omin	Pmax	Pmin	Q	R	S	T	U max	V	W	X	Y	Z
CAHA-06	169	90	140	82.563	15	5	116	104.8	46	6-M10	16	20	33.5	30.7	23	10	27	14	31	12	19	2	M55X2.0	3-M6	60	20	33	66
CAHA-08	210	108	170	106.375	17	5	150	133.4	52	6-M12	18	25	41.7	37.9	27	10	33.5	15.5	39	14	20.5	2	M60X2.0	3-M6	66	30	39	86
CAHA-10	254	113	220	139.719	18	5	190	171.4	77	6-M16	24	30	54.5	50.3	31	12	27.5	7.5	44	16	27	2	M85X2.0	3-M8	94	30	45	108
CAHA-12	304	127	220	139.719	18	6	190	171.4	91	6-M16	25	30	62.1	56.7	45	15	28	4	50	21	28	2	M100X2.0	3-M8	108	30	51	111
CAHA-15	381	149	300	196.869	22	6	260	235	118	6-M20	28	43	82	76.7	43.8	18.3	33	10	62	22	39	5	M130X2.0	3-M10	139	60	70	165
CAHA-18	450	149	380	196.869	22	6	320	235	118	6-M20	28	43	82	76.7	73.8	18.3	33	10	62	22	39	5	M130X2.0	3-M10	139	60	70	165
CAHA-21	530	161	380	285.775	27	6	330.2	330.2	140	6-M22	34	60	98.5	93.2	87.5	21.5	38	15	65	25	39	5	M155X3.0	3-M12	166	80	73	180
CAHA-24	610	170	380	285.775	27	6	330.2	330.2	165	6-M22	35	60	108.4	103.2	117.5	21.5	47	24	65	25	40	5	M175X3.0	3-M12	187	80	73	180

Specifications/规格/仕様表/사양표

Model/형식	Spec사항 Order NO. 오더번호	Spindle nose NO. 주축규격	Thru-hole (Diameter) 관통경(직경)mm	Jaw stroke (Diameter) 조스트로크(직경)mm	Plunger stroke 플런저 스트로크 mm	Gripping Dia(Extend gripping) 파악경(외경파악)mm		Max. perm issible input force/허용 실린더력 KN(kgf)
						Max 최대	Mn 최소	
CAHA-06	1AHA06	A2-5	46	5.5	13	169	13	25(2500)
CAHA-08	1AHA08	A2-6	52	7.6	18	210	11	40(4080)
CAHA-10	1AHA10	A2-8	77	8.5	20	254	31	50(5100)
CAHA-12	1AHA12	A2-8	91	10.2	24	304	34	58(5916)
CAHA-15	1AHA15	A2-11	118	10.6	23	381	30	71(7240)
CAHA-18	1AHA18	A2-11	118	10.6	23	450	30	71(7240)
CAHA-21	1AHA21	A2-11, 15	140	10.6	23	530	87	90(9177)
CAHA-24	1AHA24	A2-11, 15	165	10.4	23	610	110	90(9177)

Model/형식	Spec사항 Max. static gripping force/최대 정적파악력 KN(kgf)	Max permissible speed 최고 사용회전수 r.p.m(min ⁻¹)	Weight (With standard soft jaws/중량(표준 소프트 조포함) kg	GD ² Moment of inertia N·m ² (kgf·m ²)	Matching cylinder 적용실린더	Matching hard jaw 적용하드조	Matching soft jaw 적용소프트조
CAHA-06	63(6426)	6000	13.7	2.45(0.25)	YAH-06	HJ-06T1	SJ-06T1
CAHA-08	94(9597)	5000	23.6	6.90(0.71)	YAH-08	HJ-08T1	SJ-08T1
CAHA-10	125(12740)	4200	40	12.65(1.29)	YAH-10	HJ-10T1	SJ-10T1
CAHA-12	147(15000)	3300	64	30.00(3.06)	YAH-12	HJ-12A1	SJ-12A1
CAHA-15	180(18355)	2500	127	93.55(9.54)	YAH-15	HJ-15T1	SJ-15A1
CAHA-18	180(18355)	2000	178	187.30(19.1)	YAH-15	HJ-15T1	SJ-15A1
CAHA-21	234(23861)	1700	246	362.83(37.0)	YAH-15	HJ-21B1	SJ-21A1
CAHA-24	234(23861)	1400	304	660.94(66.4)	YAH-15	HJ-21B1	SJ-21A1

CAHT

2-JAW BIG BORE POWER CHUCK

大通孔两爪动力卡盘/2爪高速中空型パワーチャック/2-요 고속중공형 파워척



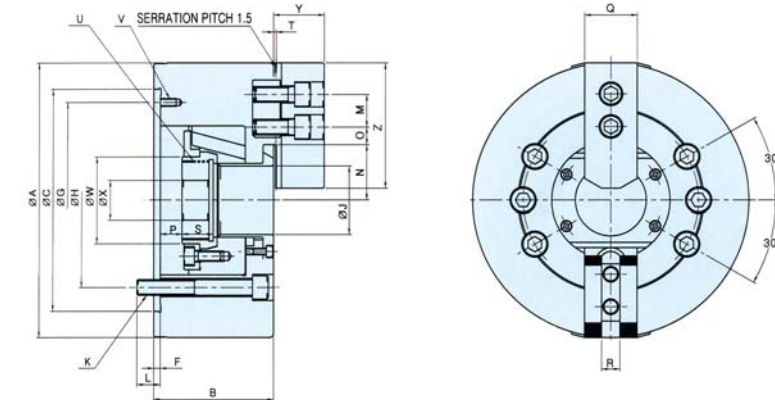
- 1 • Clamping of Irregular Work It shows excellent performance for irregular work such as square bar, especially, for manufacturing irregular materials using a bar feeder.
- 2 • High Performance and High Accuracy It has the same structure as CAH power chuck, and guarantees excellent performance and quality. Attachment part and changable parts are compatible each other.
- 3 • Spindle Direct-Mounting Type International standard A-type spindle specification is applied to CAHTA type, so it is possible to directly attach to short taper spindle.

1 •夹紧不规则工件: 此卡盘在不规则工件夹紧时, 显示出其优越性. 尤其适用于方杆加工和使用棒料输送机对不规则工件进行夹紧. 2 •性能好, 精度高: 此卡盘与CAH型卡盘结构相同, 因此确保其优越的性能和质量, 且附件和连接部件具有兼容性. 3 •直接安装型: 可直接安装在符合国际标准A型主轴的短锥安装面上.

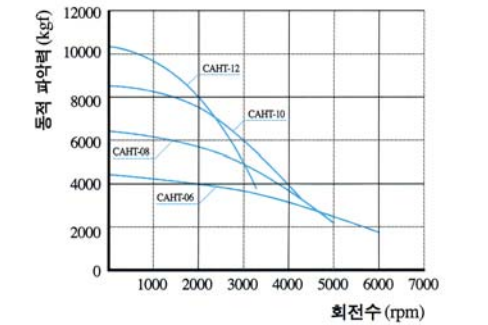
1 •異型工件物把握 2 •高性能, 高精度 3 •스핀들 직장형

1 • 이형공작물 파악 2 • 고성능 · 고정도 3 • 스펀들 직장형

Outward Drawing/外型图/外形图/외형도



Dynamic Gripping Force/동적/動的 把握力/동적 파악력 선도



Dimension/尺寸/寸法表/치수표

Model/형식	A	B	C	F	G	H	J	K	L	M	Nmax	Nmin	Omax	Omin	Pmax	Pmin	Q	R	S	T	U max	V	W	X	Y	Z
CAHT-06	169	80	140	5	116	104.8	46	3-M10	12	20	33.5	30.7	23	10	12	-1	31	12	19	2	M55X2.0	3-M6	60	20	33	66
CAHT-08	210	91	170	5	150	133.4	52	3-M12	15	25	41.7	37.9	27	10	16.5	-1.5	39	14	20.5	2	M60X2.0	3-M6	66	30	39	86
CAHT-10	254	100	220	5	190	171.4	77	3-M16	17	30	54.5	50.3	31	12	9.5	-1.05	44	16	27	2	M85X2.0	3-M8	94	30	45	108
CAHT-12	304	115	220	6	190	171.4	91	3-M16	18	30	62.1	56.7	45	15	10	-1.4	50	21	28	2	M100X2.0	3-M8	108	30	51	111

Specifications/规格/仕様表/사양표

Model/형식	Spec사항 Order NO. 오더번호	Spindle nose NO. 주축규격	Thru-hole (Diameter) 관통경(직경)mm	Jaw stroke (Diameter) 조스트로크(직경)mm	Plunger stroke 플런저 스트로크 mm	Gripping Dia(Extend gripping) 파악경(외경파악)mm		Max. perm issible input force/허용 실린더력 KN(kgf)
						Max 최대	Mn 최소	
CAHT-06	1AHT06	A2-5	46	5.5	13	169	13	16.6(1700)
CAHT-08	1AHT08	A2-6	52	7.6	18	210	11	26.6(2720)
CAHT-10	1AHT10	A2-8	77	8.5	20	254	31	33.3(3400)
CAHT-12	1AHT12	A2-8	91	10.2	24	304	34	39(399.5)

Model/형식	Spec사항 Max. static gripping force/최대 정적파악력 KN(kgf)	Max permissible speed 최고 사용회전수 r.p.m(min ⁻¹)	Weight (With standard soft jaws) 중량(표준소프트 조포함) kg	GD ² Moment of inertia N·m ² (kgf·m ²)	Matching cylinder 적용실린더	Matching soft jaw 적용소프트조
CAHT-06	42(4284)	6000	12.3	2.20(0.22)	YAH-06	SJ-06T1
CAHT-08	63(6398)	5000	21.7	6.86(0.70)	YAH-08	SJ-08T1
CAHT-10	83.3(8493)	4200	33.7	12.55(1.28)	YAH-10	SJ-10T1
CAHT-12	100(10200)	3300	51	26.47(2.7)	YAH-12	SJ-12A1

CGH

GREAT BORE POWER CHUCK

超大通孔动力卡盘/大貫通径中空型パワーチャック/대관통경 중공형 파워척



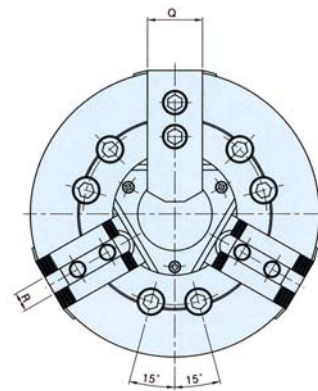
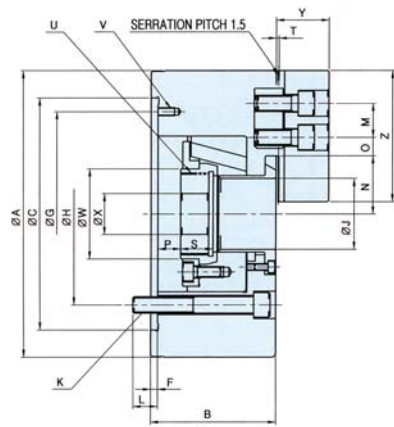
1 • Enlargement of Through Hole Much larger Through Hole is the biggest size in the same grade, which enables broader manufacturing such as bar feeder work. **2 • Light Weight** Equipment load has been reduced by weight reduction, and efficiency has been increased for fitful work and for both forward and reverse operations. **3 • High Performance and High Accuracy** It has the same structure as CAH power chuck, and has excellent performance and quality. Attachment part and changable parts are compatible each other. **4 • Spindle Direct-Mounting Type** International standard A-type spindle specification is applied to CGHA type, so that it can be directly attached to short taper spindle.

1. 超大通孔: 此卡盘具有比同类卡盘大的通孔, 因此使用范围更加广泛, 如棒料输送机进给加工。
2. 重量轻: 卡盘的重量减轻, 因此卡盘频繁启动和正反向运转的效率大大提高。
3. 性能好, 精度高: 此卡盘与CAH型卡盘结构相同, 因此确保其优越的性能和质量, 且附件和连接部件具有兼容性。
4. 直接安装型: 可直接安装在符合国际标准A型主轴的短锥安装面上。

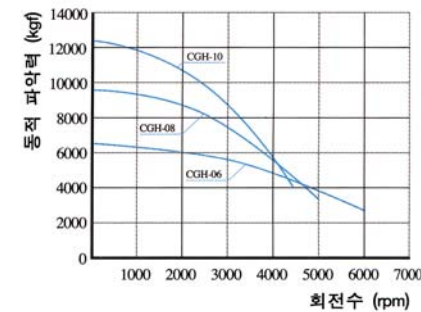
1. 貫通径拡大 2. 軽量化実現 3. 高性能, 高精度 4. スピンドル直装型

1. 관통경 확대 2. 경량화 실현 3. 고성능·고정도 4. 스피들 직장형

Outward Drawing/外型图/外刑图/외형도



Dynamic Gripping Force/动态抓力/動的把握力/동적 파악력선도



Dimension/尺寸/寸法表/치수표

Model/형식	A	B	C	F	H	J	K	L	M	Nmax	Nmin	Omax	Omin	Pmax	Pmin	Q	R	S	T	U max	V	W	X	Y	Z
CGH-06	170	81	140	5	104.8	53	6-M10	16	20	37	34.24	21	8	12	-1	31	12	19	2	M60X2.0	3-M6	66	20	33.5	72
CGH-08	210	91	170	5	133.4	66	6-M12	20	25	46.2	42.4	23.25	10.25	7	-1.1	39	14	27	2	M75X2.0	6-M6	80	30	39	95
CGH-10	254	100	220	5	171.4	82	6-M16	17	30	56.27	52.2	31	12	9.5	-1.05	44	16	27	2	M90X2.0	3-M8	98	30	45	110

Specifications/规格/仕様表/ 사양표

Spec.사양 Model/형식	Order NO. 오더번호	Spindle nose NO. 주축규격	Thru-hole (Diameter) 관통경(직경)mm	Jaw stroke (Diameter) 조스트로크(직경)mm	Plunger stroke 플런저 스트로크 mm	Gripping Dia.(Extend gripping) 파악경(외경파악)mm		Max. perm issible input force/허용 실편더력 KN(kgf)
						Max 최대	Min 최소	
CGH-06	1GH06	A2-5	53	5.5	13	169	13	25(2550)
CGH-08	1GH08	A2-6	66	7.6	18	210	11	38(3900)
CGH-10	1GH10	A2-8	82	8.5	20	254	31	50(5100)

Spec.사양 Model/형식	Max. static gripping force 최대 정적파악력 KN(kgf)	Max. perm issible speed 최고 사용회전수 r.p.m.(min ⁻¹)	Weight (With standard soft jaws) / 중량 (표준 소프트 조포함) kg	GD ² Moment of inertia N·m ² (kgf·m ²)	Matching cylinder 적용실린더	Matching hard jaw 적용하드조	Matching soft jaw 적용소프트조
CGH-06	60(6120)	6000	11.9	2.26(0.23)	YSGH-06	HJ-06T1	SJ-06T1
CGH-08	94(9597)	5000	23	5.59(0.57)	YSGH-08	HJ-08T1	SJ-08T1
CGH-10	120(12240)	4500	32	12.83(1.31)	YGH-10	HJ-10T1	SJ-10T1

CGHA

GREAT BORE POWER CHUCK (SHORT TAPER)

超大通孔动力卡盘(短锥型)/大貫通径中空型パワーチャック(アダプター付)/대관통경 중공형 파워척(아답터 부착형)



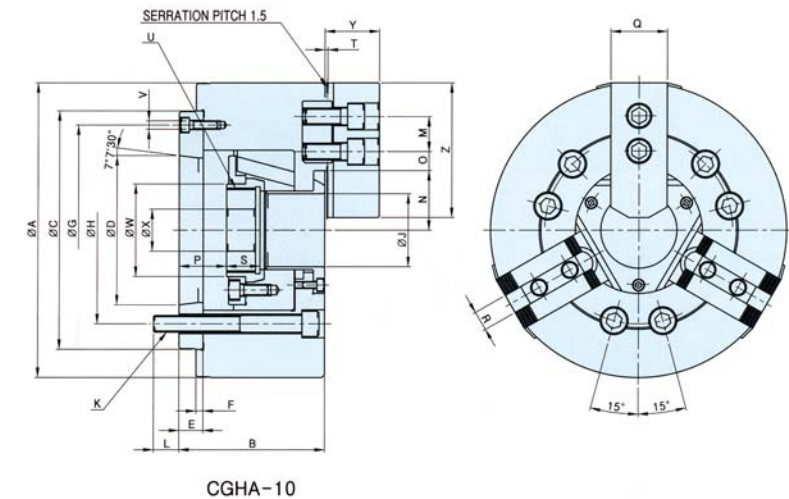
1 • High Performance and High Accuracy It has the same structure as CGH power chuck, and has excellent performance and quality. Mounting face and changable parts are compatible each other. **2 • Spindle Direct-Mounting Type** International standard A-type spindle specification is applied to Mounting face, so that it can be directly attached to short taper spindle. **3 • Shortening of changing time** Chuck-changing-time can be minimized as run-out accuracy is kept upon attachment. **4 • Convenient Attachment Option** Because adapters suitable to various spindle specifications can be manufactured and attached, the scope of application is extensive.

1. 性能好, 精度高: 此卡盘与CGH型卡盘结构相同, 因此确保其优越的性能和质量, 且附件和连接部件具有兼容性。
2. 直接安装型: 可直接安装在符合国际标准A型主轴的短锥安装面上。
3. 换装方便: 若更换附件可在最短的时间内, 达到其运行的精度要求。
4. 便于安装选择: 可通过转接法兰与各种不同规格的主轴连接, 扩大了其使用范围。

1. 高性能, 高精度 2. 스피들 직장형 3. 取替え時間短縮 4. 便利な取付けオプション

1. 고성능·고정도 2. 스피들 직장형 3. 교체시간 단축 4. 부착옵션 용이

Outward Drawing/外型图/外刑图/외형도



Dimension/尺寸/寸法表/치수표

Model/형식	A	B	C	D	E	F	G	H	J	K	L	M	Nmax	Nmin	Omax	Omin	Pmax	Pmin	Q	R	S	T	U max	V	W	X	Y	Z	
CGHA-06	170	91	140	8.25	63	15	5	116	104.8	53	6-M10	16	20	37	34.24	21	8	12	19	2	M60X2.0	3-M6	66	20	33.5	72			
CGHA-08	210	111	170	10.63	75	26	5	150	133.4	66	6-M12	21	25	46.2	42.4	23.25	10.25	7	14	20.5	2	M75X2.0	6-M12	88	30	39	95		
CGHA-10	254	113	220	13.97	118	18	5	190	171.4	82	6-M16	24	30	56.27	52.2	31	12	27.5	7.5	44	16	27	2	M90X2.0	3-M8	98	30	45	110

Specifications/规格/仕様表/ 사양표

Spec.사양 Model/형식	Order NO. 오더번호	Spindle nose NO. 주축규격	Thru-hole (Diameter) 관통경(직경)mm	Jaw stroke (Diameter) 조스트로크(직경)mm	Plunger stroke 플런저 스트로크 mm	Gripping Dia.(Extend gripping) 파악경(외경파악)mm		Max. perm issible input force/허용 실편더력 KN(kgf)
						Max 최대	Min 최소	
CGHA-06	1GHA06	A2-5	53	5.5	13	169	13	25(2550)
CGHA-08	1GHA08	A2-6	66	7.6	18	210	11	38(3900)
CGHA-10	1GHA10	A2-8	82	8.5	20	254	31	50(5100)

Spec.사양 Model/형식	Max. static gripping force 최대 정적파악력 KN(kgf)	Max. perm issible speed 최고 사용회전수 r.p.m.(min ⁻¹)	Weight (With standard soft jaws) / 중량 (표준 소프트 조포함) kg	GD ² Moment of inertia N·m ² (kgf·m ²)	Matching cylinder 적용실린더	Matching hard jaw 적용하드조	Matching soft jaw 적용소프트조
CGHA-06	63(6426)	6000	13.7	2.45(0.25)	YSGH-06	HJ-06T1	SJ-06T1
CGHA-08	94(9597)	5000	23.6	6.90(0.71)	YSGH-08	HJ-08T1	SJ-08T1
CGHA-10	120(12240)	4500	40	12.65(1.29)	YGH-10	HJ-10T1	SJ-10T1